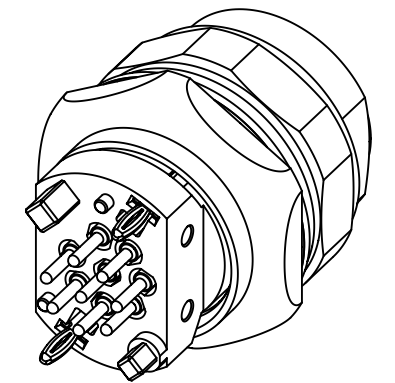
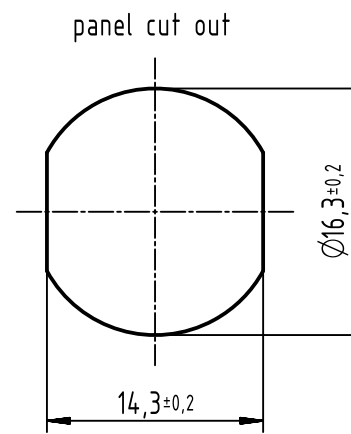
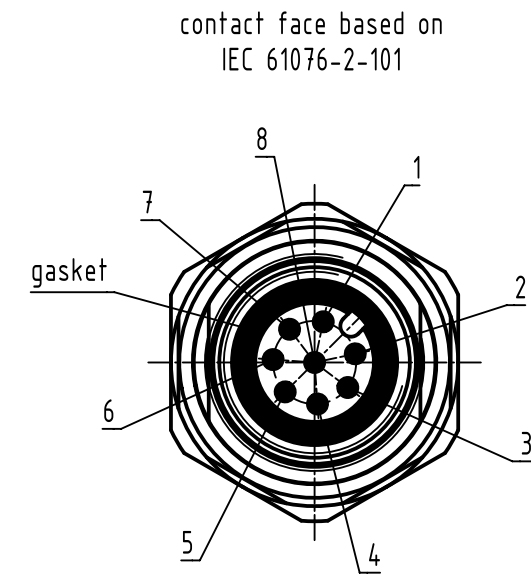
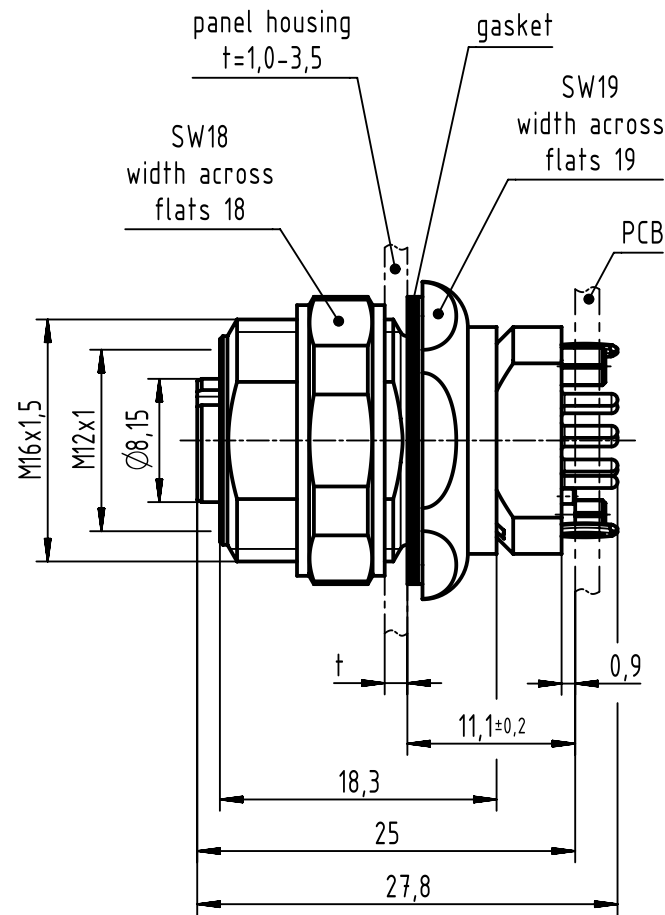
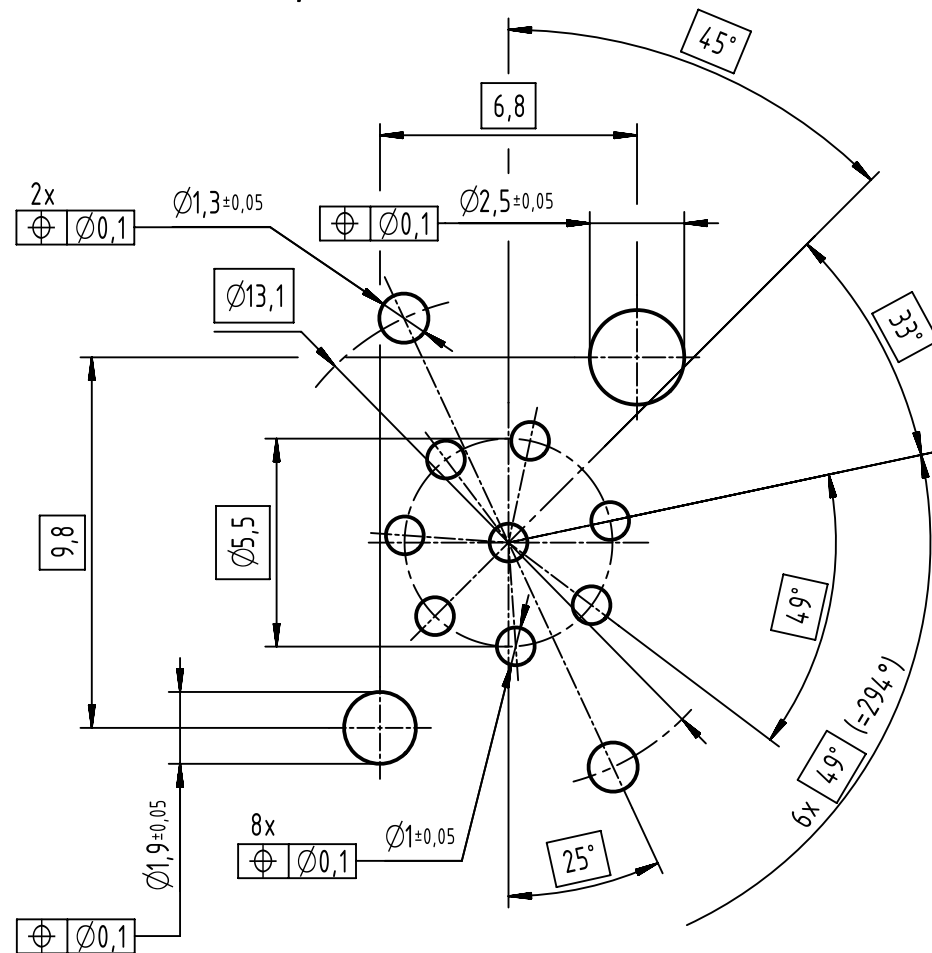


X (5:1)
recommended PCB-layout



- 1 pcs. single package

	All rights reserved	Scale 2:1	Free size tol.	Ref.	
	Department EC PD - DE	Created by BUSSMANT	Inspected by HARLASS	Standardisation HOFFMANN	Date 2014-11-07
HARTING Electronics GmbH D-32339 Espelkamp		Title HARTING M12 PCB receptacle female A-coded 8-pole back			State Final Release
		Type TB	Number 21033212830	Doc-Key / ECM-Nr. 100567758/UGD/000/B 50000081540	Page 1/1
				Rev. B	