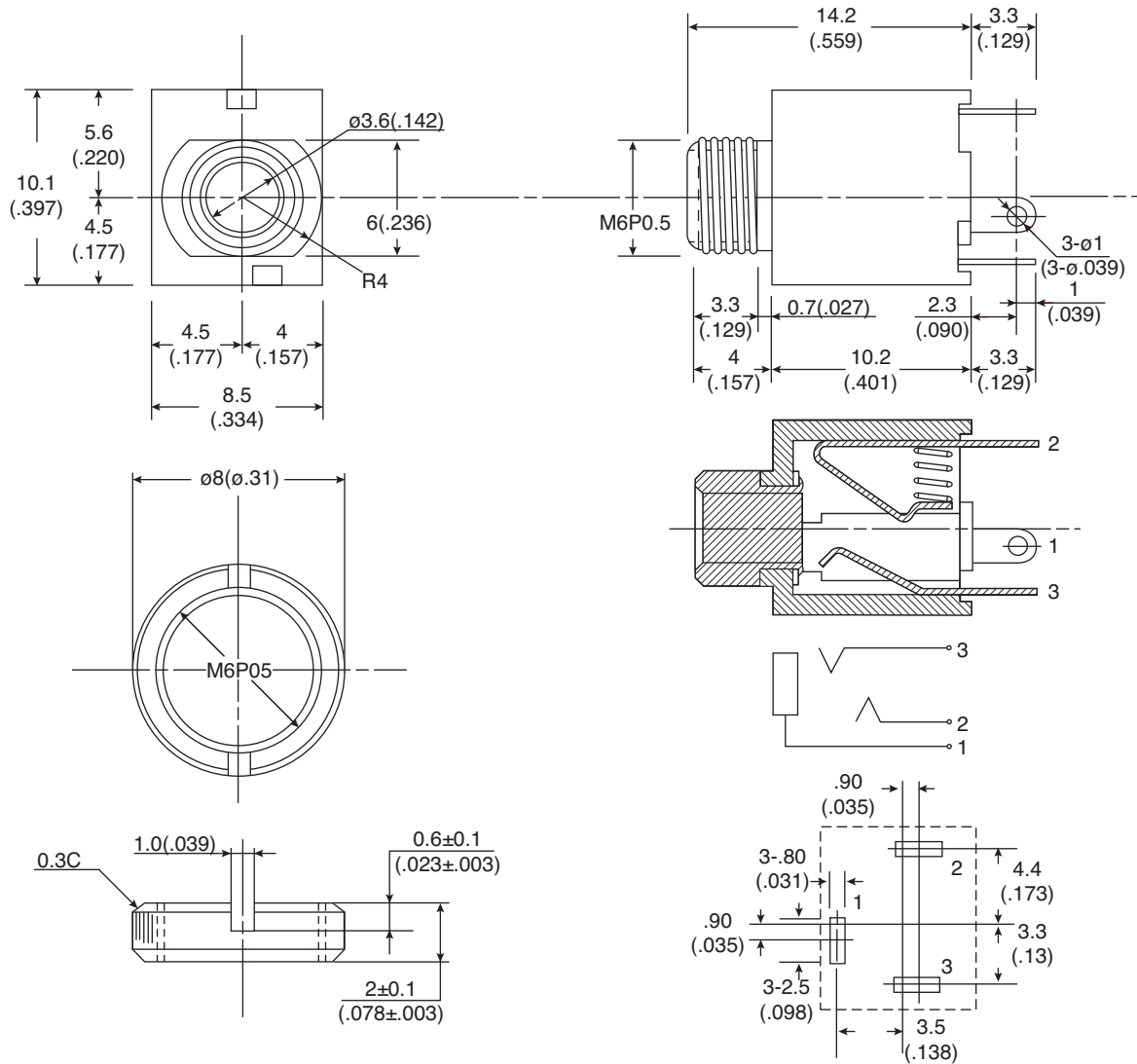


3.5mm Stereo Phone Jack

161-MJ355W-EX



3.5mm Stereo Phone Jack



Dimensions: mm (in)

MATERIAL SPECIFICATION:

Part Name	QTY	Material	Plating	Remarks
Body	1	P.C. + G	----	Black
Metal	1	BsBM2 6PHI	Ni-3	----
Main Terminal A	1	BsR2-H 0.25t	Ag	(Tip Contact)
Main Terminal B	1	PBSR-EH 0.25t	Ag	(Ring Contact)
Earth Terminal	1	BsR2-H 0.3t	Ag	(Sleeve Contact)
Spring (A)	1	SUS-304	----	Heat Treatment

RoHS Compliant by Exemption

Date Last Revised: 3/15/10

Available from Mouser Electronics
1-800-346-6873 / www.mouser.com

KC-301249

161-MJ355W-EX

Mouser Electronics

Authorized Distributor

Click to View Pricing, Inventory, Delivery & Lifecycle Information:

[Kobiconn:](#)

[161-MJ355W-EX](#)