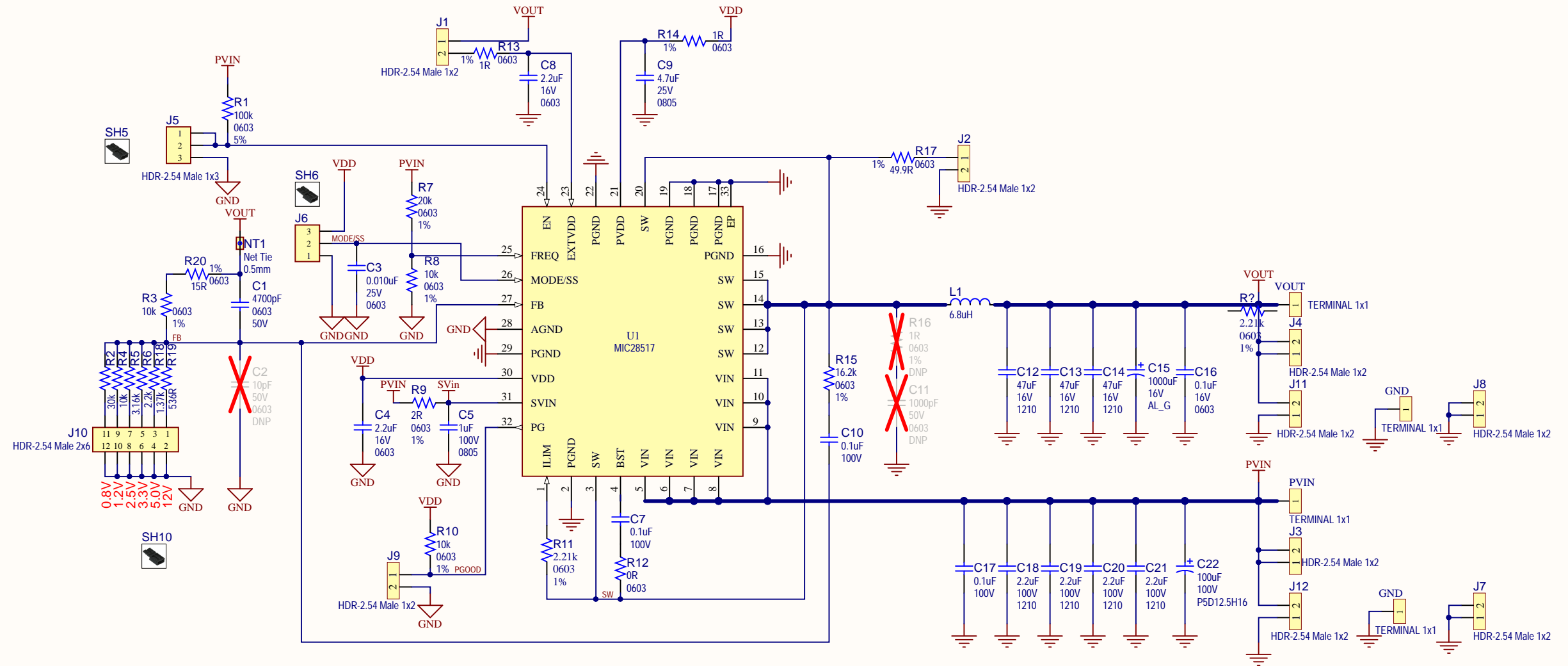


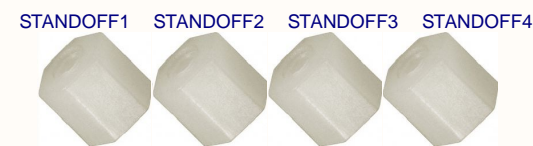
REV	ECO#	DESCRIPTION	DATE



Heatsink



Screw Nylon
SCREW Nylon #6-32 x 1/4"



STAND-OFF Nylon #6-32 x 3/8"



Label Need Help Large

Drawn By: Sergiu Gheorghe			
Engineer: Sergiu Gheorghe			
PartNumber: ADM00995	Project Title MIC28517 Evaluation Board		
Sheet Title MIC28517 Evaluation Board			
Size B	Sch #03-10825-2	Date: 6/26/2020 2:55:49 PM	 Altium.com
Revision:1.1		Sheet 1 of 1	
File: MIC28517.SchDoc			

Mouser Electronics

Authorized Distributor

Click to View Pricing, Inventory, Delivery & Lifecycle Information:

[Microchip:](#)

[ADM00995](#)