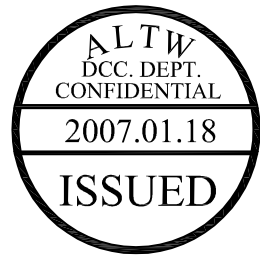
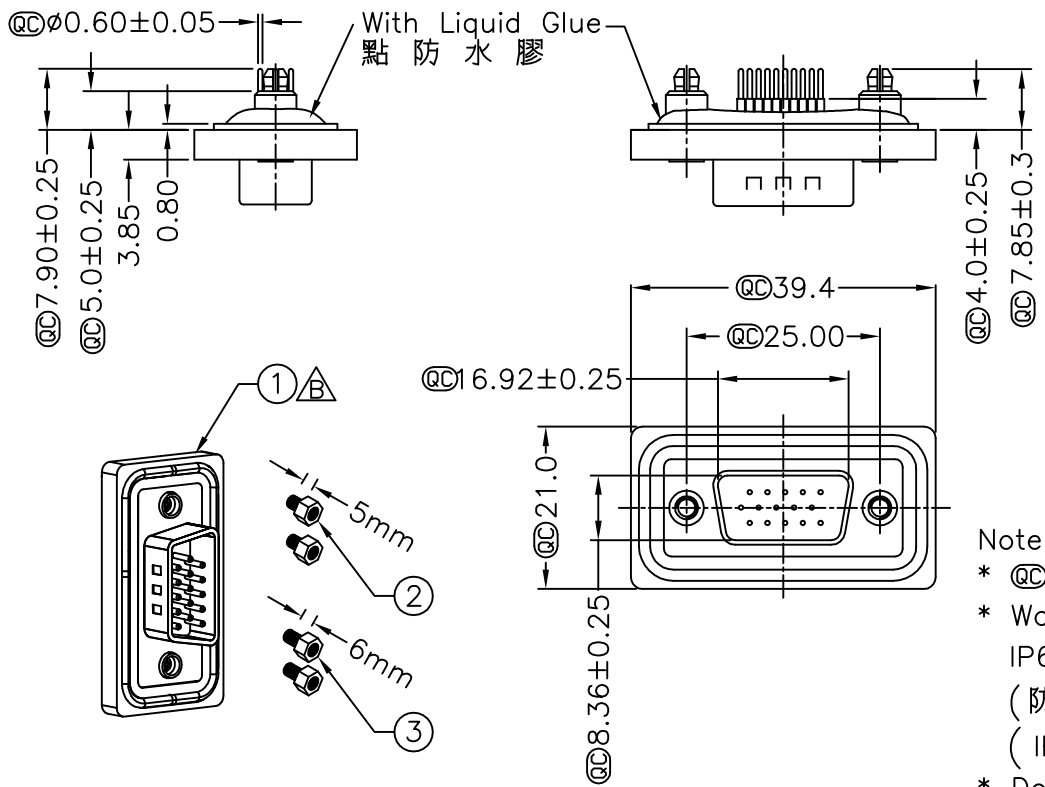
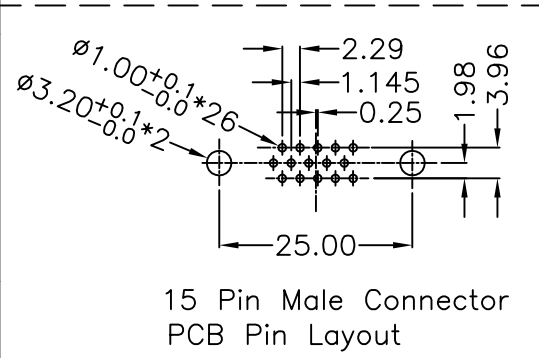
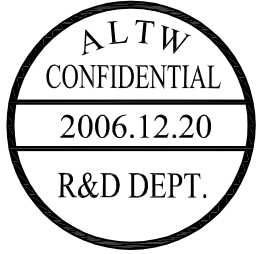


REV. A	ECN NO.	DATE 2006/03/01	SIGN DAVID	DESCRIPTION Released Rev.A
B	LE3-710073	2006/12/20	DongYaLi	Move O-Ring To ZSE00100777

THIS DOCUMENT IS SUBJECT TO CHANGE WITHOUT NOTICE. IT IS CONFIDENTIAL AND A PROPERTY OF AMPHENOL LTW. DISCLOSURE TO THIRD PARTY HAS TO BE AUTHORIZED BY AMPHENOL LTW.

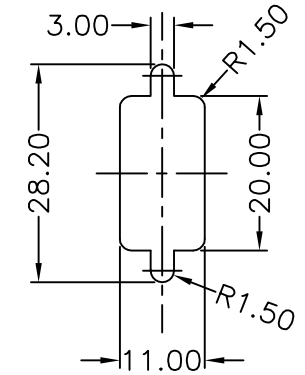


- Note:
- * @C Important Dimension.
 - * Waterproof Rate: IP68
IP68: 1M of depth of water 24 hours
(防水等級 IP68)
(IP68: 1米水深 24小時)
 - * Do Mating Test After Glued
點膠後, 須作對插測試
 - * HD-SUB Conn.: Black Core, PBT
 - * Plastic Jacket: Black, Nylon+GF
 - * Pin: Copper Alloy, Gold Plated
 - * Ring: Light Blue, Silicone
 - * Screw: Copper Alloy, Nickel Plated, #4-40 UNC
 - * The 180° Board Lock Needs To Connect The Iron Shell
180°型支架需接鐵殼



Screw L=5.0 For Panel Thickness Under 1.2mm
適用板厚為 1.2mm 以下

Screw L=6.0 For Panel Thickness Between 1.2~2.0mm
適用板厚為 1.2~2.0mm



Recommended Panel Cut-Out
建議挖孔尺寸

UNIT:mm		TITLE HD-SUB Connector 15Pin Male For Panel, PCB 180° Board Lock	
TOLERANCE .X ±0.25 .XX ±0.1 .XXX ±0.05 ANGLES ±1°	SCALE Free	SHEET 1 OF 1	REV. B
	SIZE A4	@C : Inspection Item	

Amphenol LTW
安費諾亮泰企業股份有限公司

ITEM NO HDB-15PMMP-SA8001	DRAWN BY DongYaLi	DATE 2006/12/20
DWG NO HDB-15PMMP-SA8001	CHECKED BY Simon	DATE 2006/12/20
CUSTOMER ALTW	APPROVED BY Max	DATE 2006/12/20

Mouser Electronics

Authorized Distributor

Click to View Pricing, Inventory, Delivery & Lifecycle Information:

[Amphenol:](#)

[HDB-15PMMP-SA8001](#)