

REVISIONS

P	LTR	DESCRIPTION	DATE	DWN	APVD
	S	PRODUCTION ISSUE	01FEB2019	PNT	MT

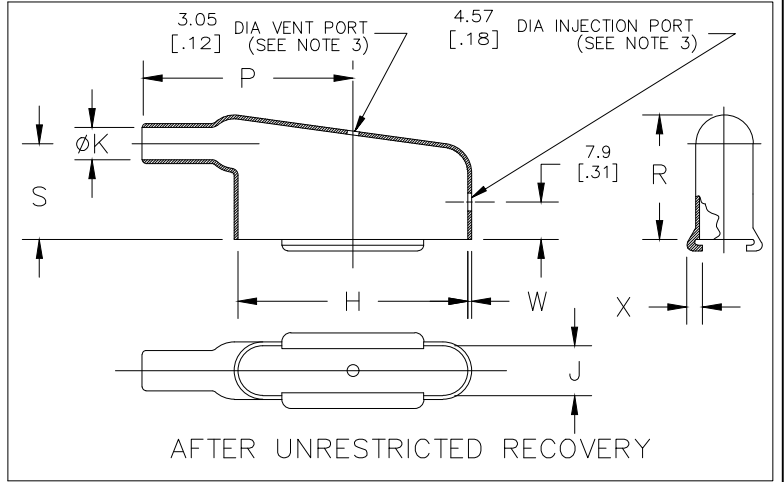
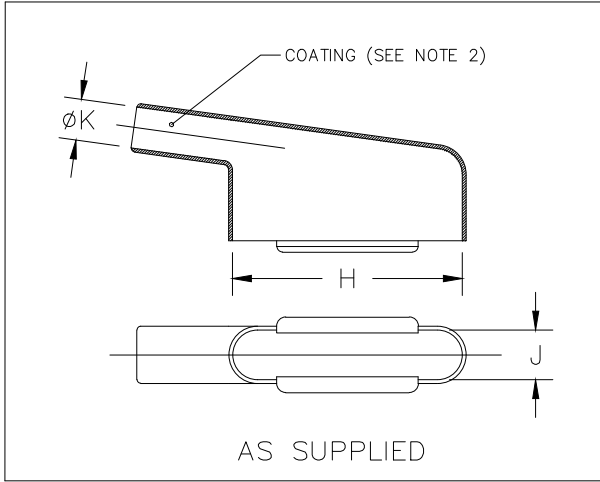


TABLE OF DIMENSIONS

PART NUMBER	H		J		K		P	R	S	W	X	Weight Nom lb/[gms] b	This Boot Fits Cannon-Cinch
	±5% a	±5% b	±5% a	±5% b	Min a	Max b							
**234A011	20.3 [.80]	20.3 [.80]	10.7 [.42]	10.7 [.42]	7.9 [.31]	4.1 [.16]	25.9 [1.02]	21.6 [.85]	15.2 [.60]	1.02 [.04]	3.05 [.12]	2.18 [.0048]	DE-9
**234A021	28.2 [1.11]	28.2 [1.11]	10.7 [.42]	10.7 [.42]	10.2 [.40]	5.3 [.21]	30.7 [1.21]	24.6 [.97]	18.5 [.73]	1.02 [.04]	3.05 [.12]	2.68 [.0059]	DA-15
**234A032	42.2 [1.66]	42.2 [1.66]	10.7 [.42]	10.7 [.42]	14.0 [.55]	7.4 [.29]	42.9 [1.69]	27.9 [1.10]	22.1 [.87]	1.02 [.04]	3.05 [.12]	4.63 [.0102]	DB-25
234A042	58.7 [2.31]	58.7 [2.31]	10.7 [.42]	10.7 [.42]	17.3 [.68]	8.6 [.34]	53.3 [2.10]	30.5 [1.20]	25.4 [1.00]	1.02 [.04]	3.05 [.12]	5.99 [.0132]	DC-37
234A052	57.9 [2.28]	57.9 [2.28]	13.7 [.54]	13.7 [.54]	19.1 [.75]	10.7 [.42]	55.9 [2.20]	32.3 [1.27]	25.4 [1.00]	1.02 [.04]	3.05 [.12]	6.90 [.0152]	DD-50
234A061	20.3 [.80]	20.3 [.80]	10.7 [.42]	10.7 [.42]	7.9 [.31]	3.8 [.15]	25.9 [1.02]	18.5 [.73]	12.2 [.48]	1.02 [.04]	3.05 [.12]	2.04 [.0045]	DE-9
234A071	28.2 [1.11]	28.2 [1.11]	10.7 [.42]	10.7 [.42]	10.2 [.40]	5.1 [.20]	30.7 [1.21]	19.8 [.78]	13.5 [.53]	1.02 [.04]	3.05 [.12]	2.54 [.0056]	DA-15

THIS DRAWING IS UNPUBLISHED. ALL RIGHTS RESERVED. TE Connectivity Ltd. COPYRIGHT

DIMENSIONS:  
mm [INCHES]

DWN 01FEB2019  
PRAVEEN N T

MATERIAL SEE SHEET 2

FINISH -

TOLERANCES UNLESS OTHERWISE SPECIFIED:

CHK 01FEB2019  
N NAGAR

APVD 01FEB2019  
M TAYLOR



TE Connectivity Ltd.

- 0 PLC ± -
- 1 PLC ± -
- 2 PLC ± -
- 3 PLC ± -
- 4 PLC ± -
- ANGLES ± -

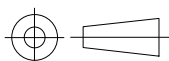
PRODUCT SPEC

APPLICATION SPEC

WEIGHT

NAME  
BOOT, RECTANGULAR SUBMINIATURE,  
90 DEGREES END ENTRY

SIZE	CAGE CODE	DRAWING NO	RESTRICTED TO
A4	00779	C-234A011-XX-0THRU071-XX-0	-



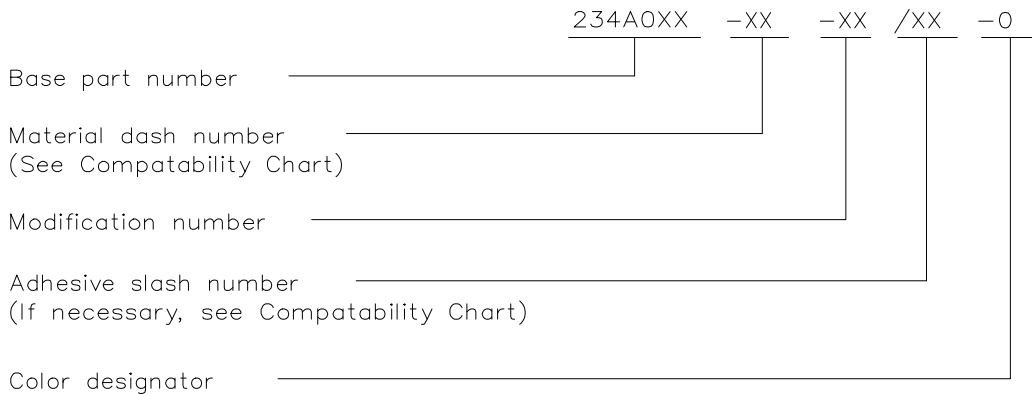
CUSTOMER DRAWING

SCALE DNS SHEET 1 OF 2 REV S

REVISIONS					
P	LTR	DESCRIPTION	DATE	DWN	APVD
	-	SEE SHEET 1	-	-	-

COMPATIBILITY CHART				
MATERIAL DASH NO.	MATERIAL DESCRIPTION	RT SPEC	COATING SLASH NO.	COATING SPEC
-3	POLYOLEFIN, SEMI-RIGID	RT-301	/42;/86;/180	S1017;S1048;S1030
-4	POLYOLEFIN, FLEXIBLE	RT-1304	/42;/86;/180	S1017;S1048;S1030
-12	FLUOROELASTOMER	RT-1312	N/A	N/A
-25	ELASTOMER, FLUID RESISTANT	RW-2070	/42;/86;/225	S1017;S1048;S1206
-100	POLYOLEFIN, SEMI-FLEXIBLE ZEROHAL	RW-2082	/86;/180	S1048;S1030

ORDERING INFORMATION


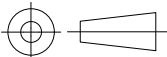


NOTES

- Dimensions appearing in table are as follows:
  - a - As Supplied
  - b - After Unrestricted Recovery
- Coating is optional. As supplied dimensions appearing in table are for uncoated parts. When coating is added, entry diameters will be reduced by 1.5[.06] max.
- Molding ports are optional. When -00 modification number is specified molding ports will be located as shown.
- Weight shown in table of dimensions is based on polyolefin part.
- \*5. /180 coating is only available on 234A011, 234A021 and 234A032. Contact factory for additional sizes.

THIS DRAWING IS UNPUBLISHED. ALL RIGHTS RESERVED.

© COPYRIGHT - TE Connectivity Ltd.

DIMENSIONS: mm [INCHES]	DWN PRAVEEN N T	01FEB2019	MATERIAL SEE SHEET 2	FINISH -	
	CHK N NAGAR	01FEB2019	 TE Connectivity Ltd.		
TOLERANCES UNLESS OTHERWISE SPECIFIED:	APVD M TAYLOR	01FEB2019			
0 PLC ± -	PRODUCT SPEC	NAME BOOT, RECTANGULAR SUBMINIATURE, 90 DEGREES END ENTRY			
1 PLC ± -	-				
2 PLC ± -	APPLICATION SPEC	SIZE	CAGE CODE	DRAWING NO	RESTRICTED TO -
3 PLC ± -	-	A4	00779	C- 234A011-XX-0THRU071-XX-0	
4 PLC ± -	WEIGHT	CUSTOMER DRAWING			
ANGLES ± -			SCALE DNS	SHEET 2 OF 2	REV S

# Mouser Electronics

Authorized Distributor

Click to View Pricing, Inventory, Delivery & Lifecycle Information:

[TE Connectivity:](#)

[234A021-3-0](#)