

SPECIFICATION

受 控

Customer :

Applied To :

Product Name : Mechanical Buzzer

Model Name : KPMB-G3022A3-10306



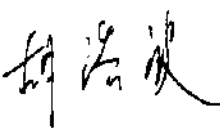
Drawing No. : OEM10306R

Compliance with ROHS (本品符合ROHS指令)

Signature of Approval

--

Signature of KEPO

Approved by	Checked by	Issued by	Date
			

宁波凯普电子有限公司



Ningbo Kepo Electronics Co.,Ltd.

宁波东钱湖镇东钱湖工业区宝源路25号

TEL:+86-574-88370330 FAX:+86-574-88370329

No.25 Baoyuan road Dongqian Lake, Industry Area, Dongqian town,Ningbo City,
China(Post Code:315121)

Sales@chinaacoustic.com www.chinaacoustic.com

Specification for Mechanical Buzzer		Page	2/11
		Revision No.	1.1
Model No. :	KPMB-G3022A3-10306	Drawing No.	OEM10306R

CONTENTS

1. **Scope**
范围
2. **General**
概要
3. **Maximum Rating**
额定极限条件
4. **Electrical Characteristics**
电性能
5. **Measuring Method**
测试方法
6. **Physical Characteristics**
机械性能
7. **Environmental Characteristics**
环境性能
8. **Dimensions**
尺寸
9. **Packaging Standard**
包装标准
10. **Cautions**
警告
11. **Cautions for Use**
注意事项
12. **Revision**
履历表

Specification for Mechanical Buzzer		Page	3/11
		Revision No.	1.1
Model No. :	KPMB-G3022A3-10306	Drawing No.	OEM10306R

1. 范围 Scope

This product specification is applied to the Mechanical Buzzer in alarm systems. Please contact us when using this product for any other applications than described in the above.

本规格书适用于机械式蜂鸣器，通常它用在系统中做报警或提示的蜂鸣器用，如果将该产品用于其它领域，请与我们联系。

2. 概要 General

2.1 Out-Diameter : 31x21.3mm

外径: 31x21.3mm

2.2 Height : 21mm

高度: 21 mm

2.3 Weight : 33 g.

重量: 33克

2.4 Case Material/Color : PA66/Black

壳体材质/颜色: PA66/黑色

3. 额定极限条件 Maximum Rating

	项目 Item	规格 Specification
3.1	工作温度范围 Operating Temperature Range	-25 ~ +105°C
3.2	储存温度范围 Storage Temperature Range	-25 ~ +105°C
3.3	额定电压 Rated Voltage	240VAC/50~60Hz
3.4	工作电压 Operating Voltage	204~264VAC

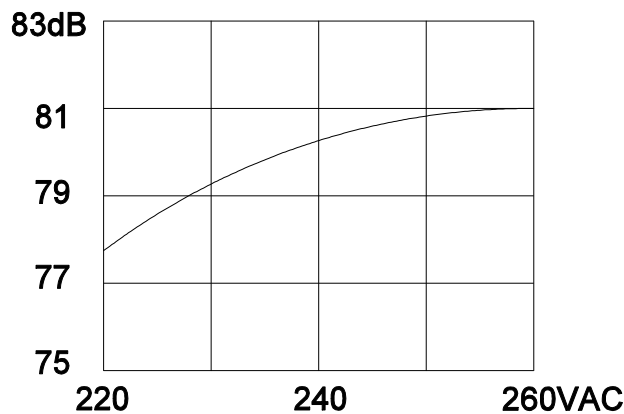
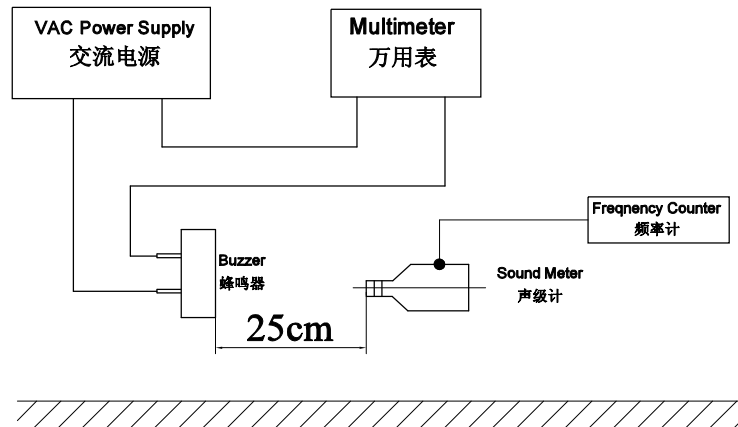
Specification for Mechanical Buzzer		Page	4/11
		Revision No.	1.1
Model No. :	KPMB-G3022A3-10306	Drawing No.	OEM10306R

4. 电性能 Electrical Characteristics

	项目 Item	规格 Specification
4.1	Coil Impedance 直流电阻	10K Ω \pm 10%
4.2	Min.Sound Pressure Level 最小声压	78dB/240VAC/25cm

5. 测试方法 Measuring Method

5.1 声压测试线路和曲线图 S.P.L. Measuring Circuit and curve



5.2 测试环境 Measuring Condition

温度 $+25\pm 3^{\circ}\text{C}$ ，湿度 $60\pm 10\%$ R.H.标准测试状态,在没有疑问的场合,可以在温度 $+5\sim +35^{\circ}\text{C}$,湿度 $45\sim 85\%$ R.H.的范围内测试.

Part shall be measured under a condition (Temperature : $+5$ to $+35^{\circ}\text{C}$, Humidity :45 to 85%R.H.) unless the standard condition (Temperature : $+25\pm 3^{\circ}\text{C}$, Humidity : $60\pm 10\%$ R.H.) is regulated measure.

Specification for Mechanical Buzzer		Page	5/11
		Revision No.	1.1
Model No. :	KPMB-G3022A3-10306	Drawing No.	OEM10306R

6. 机械性能 Physical Characteristics

	实验项目 Item	实验条件 Test Condition	实验后规格 Specification
6.1	耐冲击性 Shock	<p>峰值加速度 490m/s^2, 半正弦波, XYZ三个方向各3次冲击实验后, 进行测试.</p> <p>Sounder shall be measured after being applied shock(490m/s^2) for each three mutually perpendicular directions to each of 3 times by half sine wave.</p>	符合表1的要求 The measured value shall meet Table 1.
6.2	耐振动性 Vibration Resistant	<p>振动频率 10~30 Hz, 1.5mm 全振幅, XYZ三个方向各2小时试验后, 进行测试.</p> <p>Sounder shall be measured after being applied vibration of amplitude of 1.5mm with 10 to 30Hz band of vibration frequency to each of 3 perpendicular directions for 2 hours.</p>	
6.3	耐焊接性 Soldering Heat Resistance	<p>将声响器的插针插入(插至距声响器壳体1.5mm处为止) $+300\pm 5^\circ\text{C}$ 的焊锡槽 3 ± 0.5 秒或 $+260\pm 5^\circ\text{C}$ 的焊锡槽 10 ± 1 秒, 然后在常温中放置4小时后, 测试声响器.</p> <p>Lead terminal are immersed up to 1.5mm from sounder's body in solder bath of $+300\pm 5^\circ\text{C}$ for 3 ± 0.5 seconds or $+260\pm 5^\circ\text{C}$ for 10 ± 1 seconds, and then sounder shall be measured after being placed in natural condition for 4 hours.</p>	
6.4	可焊性 Solderability	<p>先将声响器的插针浸入松香液5秒钟, 然后浸入 $+260\pm 5^\circ\text{C}$ 熔融的锡槽中 3 ± 0.5 秒.</p> <p>Lead terminals are immersed in rosin for 5 seconds and then immersed in solder bath of $+260\pm 5^\circ\text{C}$ for 3 ± 0.5 seconds.</p>	
6.5	插针强度 Terminal Strength Pulling	<p>分别在每个插针的轴向施加9.8牛顿的静荷重10秒.</p> <p>The force 10 seconds of 9.8N is applied to each terminal in axial direction.</p>	

Specification for Mechanical Buzzer		Page	6/11
Model No. : KPMB-G3022A3-10306		Revision No.	1.1
		Drawing No.	OEM10306R

7. 环境性能 Environmental Characteristics

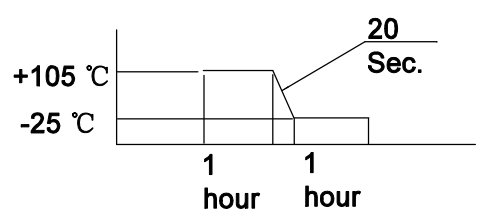
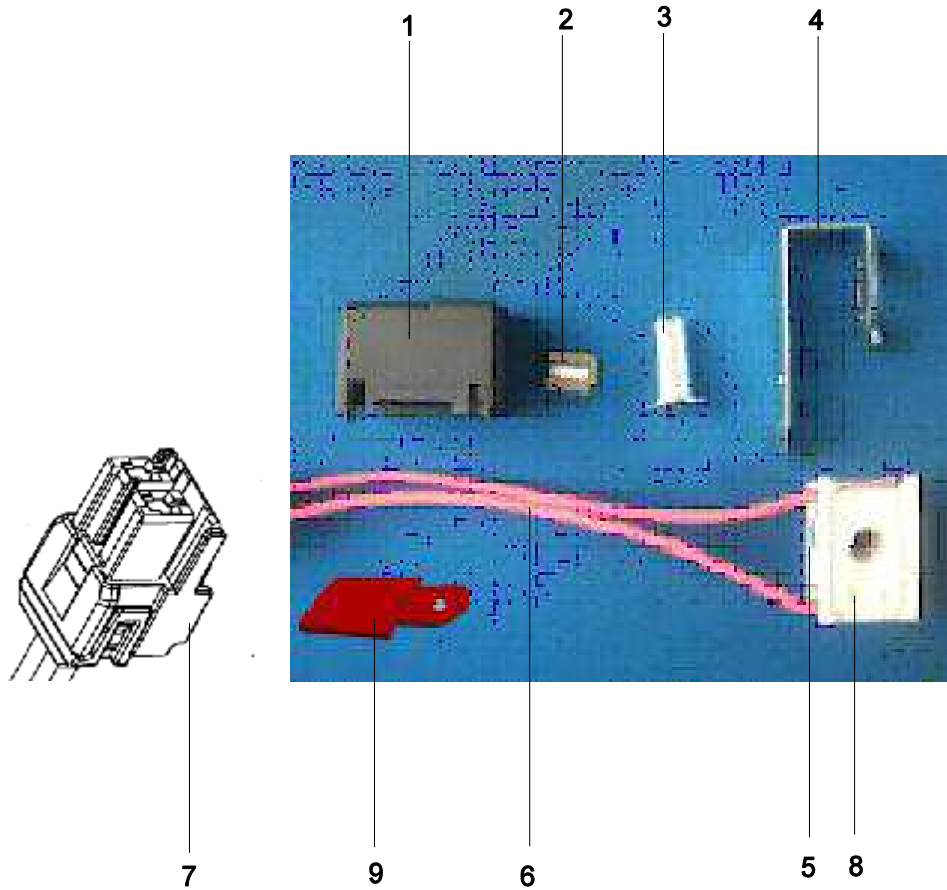
	Item	Specification
7.1	高温放置 Dry Heat Test (Storage)	<p>放置于温度$+105\pm 2^{\circ}\text{C}$的烘箱内240小时, 然后取出, 在常温下放置4小时后, 测试声响器。</p> <p>After being placed in a chamber with $+105\pm 2^{\circ}\text{C}$ for 240 hours and then being placed in natural condition for 4 hours, sounder shall be measured.</p>
7.2	低温放置 Cold Test (Storage)	<p>放置于温度$-25\pm 2^{\circ}\text{C}$的制冷箱内240小时, 然后取出, 在常温下放置4小时后, 测试声响器。</p> <p>After being placed in a chamber with $-25\pm 2^{\circ}\text{C}$ for 240 hours and then being placed in natural condition for 4 hours, sounder shall be measured.</p>
7.3	耐湿性 Humidity	<p>放置于 90%~95% R.H., 温度$+40\pm 2^{\circ}\text{C}$的环境试验箱内240小时, 然后取出, 在常温下放置4小时后, 测试声响器。</p> <p>After being placed in a chamber with 90 to 95% R.H. at $+40\pm 2^{\circ}\text{C}$ for 240 hours and then being placed in natural condition for 4 hours, sounder shall be measured.</p>
7.4	Thermal Shock Test 热冲击试验	<p>After being worked in a chamber at $+105\pm 2^{\circ}\text{C}$ for 1 hour, then sounder shall be placed in a chamber at $-25\pm 2^{\circ}\text{C}$ for 1 hour (1 cycle is the below diagram).</p> <p>After 6 above cycles, sounder shall be measured after being placed in natural condition for 1 hour.</p> <p>将产品置于$105\pm 2^{\circ}\text{C}$试验箱中, 先工作1小时, 然后将产品置于$-25\pm 2^{\circ}\text{C}$试验箱中, 再工作1小时, 经过6个循环后, 在正常大气压条件下恢复1小时, 进行测量</p> 

表 1 Table 1

项 目 Item	试验后变化量 Specification after test
声压级 Sound Pressure Level	初始值 $\pm 10\text{dB}$ Initial Value $\pm 10\text{dB}$

Specification for Mechanical Buzzer		Page	7/11
		Revision No.	1.1
Model No. :	KPMB-G3022A3-10306	Drawing No.	OEM10306R

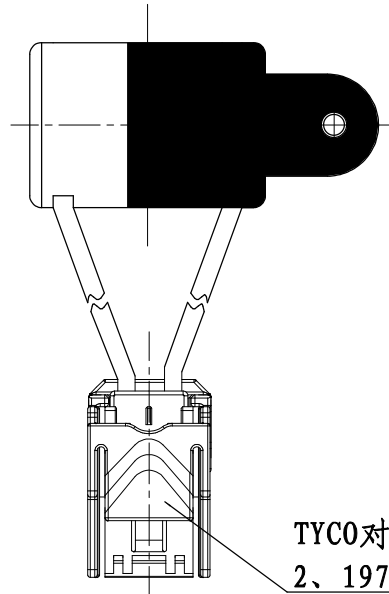
8. Structure



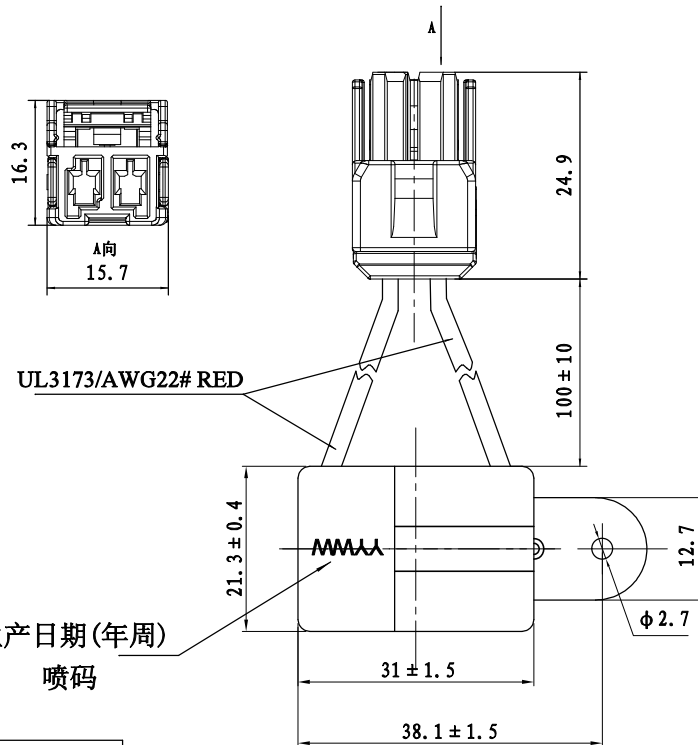
9	Gasket 3M胶	1	sponge	
8	Shelf 骨架	1	(UL94 V-2)101L	
7	Cap 插头	1	TYCO对应的型号#9-1971773-2、1971777-2、1971785-2组成.	
6	Case 引线	2	UL3173 AWG 22#	
5	Coil 线圈	1	—	
4	Stator 固定片	1	—	
3	T Core T 铁	1	Fe	
2	Vibration 振动片	1	1J50	
1	Case 壳体	1	(UL94 V-2)101L	
No.	Part Name 型号	Q'TY	Material 材质	SGS 编号

Specification for Mechanical Buzzer		Page	8/11
		Revision No.	1.1
Model No. :	KPMB-G3022A3-10306	Drawing No.	OEM10306R

9. Dimensions



TYCO对应的型号为#9-1971773-2、1971777-2、1971785-2组成。



FIRST ANGLE PROJECTION



UNIT : mm
Tolerance : ±0.5

Specification for Mechanical Buzzer	Page	9/11
	Revision No.	1.1
Model No. : KPMB-G3022A3-10306	Drawing No.	OEM10306R

10. Packing



QTY:50Pcs



QTY: 300Pcs
425x220x315mm

Specification for Mechanical Buzzer		Page	10/11
		Revision No.	1.1
Model No. :	KPMB-G3022A3-10306	Drawing No.	OEM10306R

11. 包装标准 Packaging Standard

产品的外包装是纸箱, 它应该清楚的标明型号, 数量, 出厂检验批号.
在运输及储存的过程中, 产品必须不会受到机械损伤.

Each minimum package unit of products shall be in a carton box and it shall be clearly marked with Part Number, quantity and outgoing inspection number.

There shall be no mechanical damage on products during transportation and/or in storage.

12. 警告 Cautions

如果产品使用于下列高可靠性的装置时, 请与我们联系, 以免对人的生命, 财产和身体造成损害.

Please contact us before using our products for the undermentioned applications requiring especially high reliability in order to prevent defects which might directly cause damage to other party's life, body or property (listed below).

- (1) Aircraft equipment 飞行设备
- (2) Aerospace equipment 航天设备
- (3) Undersea equipment 潜水设备
- (4) Medical equipment 医疗设备
- (5) Transportation equipment (automobiles, trains, ships) 交通设施
- (6) Traffic signal equipment 交通信号设备
- (7) Disaster prevention/crime prevention equipment 防灾害/防犯罪设备
- (8) Data-processing equipment 数据处理设备
- (9) Applications of similar complexity or reliability requirements comparable to the applications listed in the above 以及与上述相类似或可靠性要求更高的设备

13. 注意事项 Cautions for Use

13.1 如果产品所承受的机械应力超过规定的值, 元件可能被破坏.

The component may be damaged if mechanical stress over this specification is applied.

13.2 该声响器不适合洗涤, 因为它不密封.

Washing of the component is not acceptable. Because it is not sealed.

13.3 在使用烙铁的情况下, 应注意烙铁头的温度应该保持在+350℃以下, 并且焊接时间控制在3秒内.

In case of using solder iron for soldering, the top of soldering iron's temperature should be kept less than +350℃. Moreover the soldering time should be also kept with in 3seconds.

