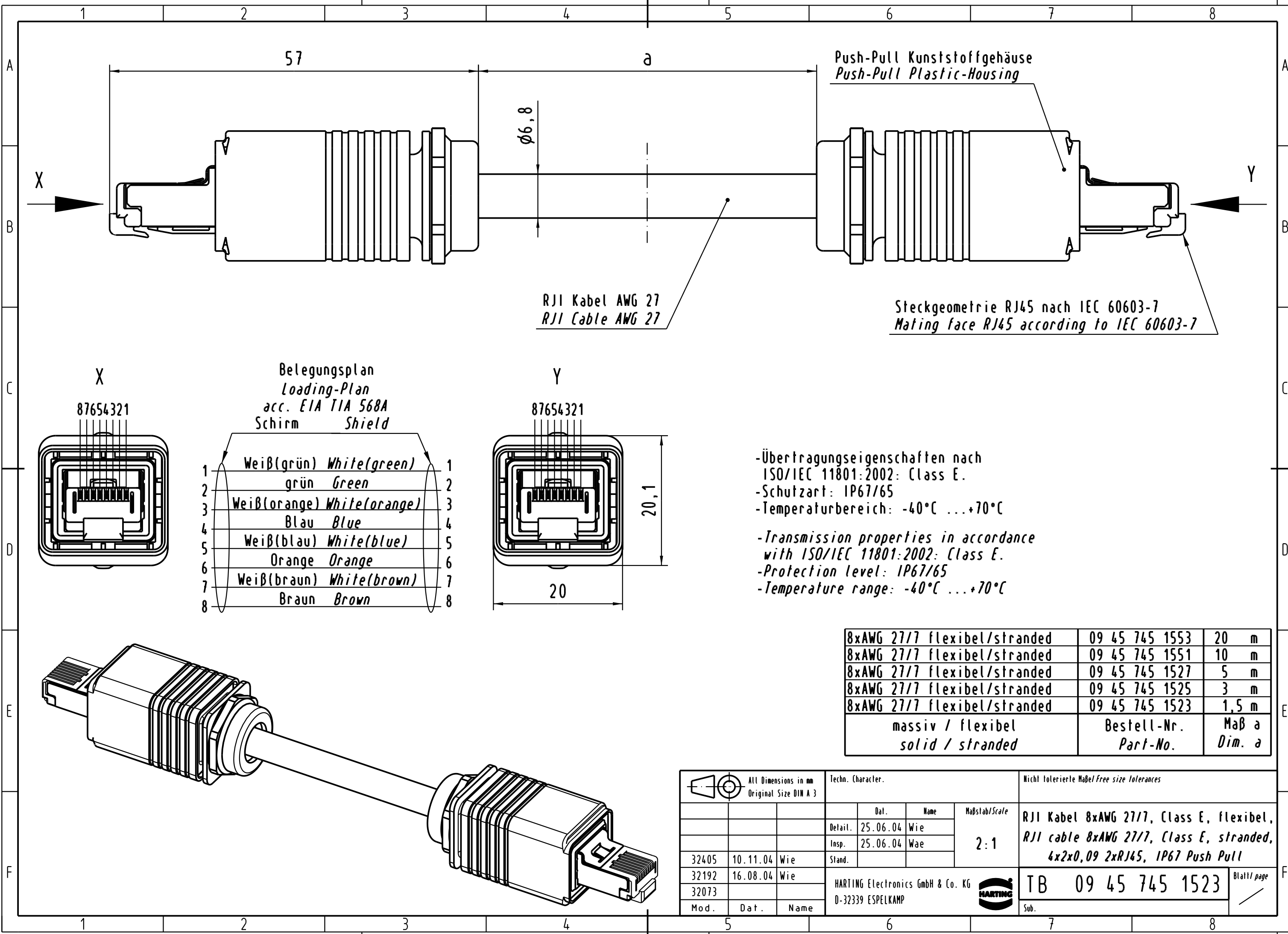


Alle Rechte vorbehalten. All rights reserved



RJI Kabel AWG 27
RJI Cable AWG 27

Push-Pull Kunststoffgehäuse
Push-Pull Plastic-Housing

Steckgeometrie RJ45 nach IEC 60603-7
Mating face RJ45 according to IEC 60603-7

Belegungsplan
Loading-Plan
acc. EIA TIA 568A
Schirm Shield

1	Weiß(grün) White(green)	1
2	grün Green	2
3	Weiß(orange) White(orange)	3
4	Blau Blue	4
5	Weiß(blau) White(blue)	5
6	Orange Orange	6
7	Weiß(braun) White(brown)	7
8	Braun Brown	8

- Übertragungseigenschaften nach ISO/IEC 11801:2002: Class E.
- Schutzart: IP67/65
- Temperaturbereich: -40°C ...+70°C
- Transmission properties in accordance with ISO/IEC 11801:2002: Class E.
- Protection level: IP67/65
- Temperature range: -40°C ...+70°C

8xAWG 27/7 flexibel/stranded	09 45 745 1553	20 m
8xAWG 27/7 flexibel/stranded	09 45 745 1551	10 m
8xAWG 27/7 flexibel/stranded	09 45 745 1527	5 m
8xAWG 27/7 flexibel/stranded	09 45 745 1525	3 m
8xAWG 27/7 flexibel/stranded	09 45 745 1523	1,5 m
massiv / flexibel solid / stranded	Bestell-Nr. Part-No.	Maß a Dim. a

All Dimensions in mm Original Size DIN A 3			Techn. Character.			Nicht tolerierte Maß/Free size tolerances		
				Dat.	Name	Maßstab/Scale 2:1	RJI Kabel 8xAWG 27/7, Class E, flexibel, RJI cable 8xAWG 27/7, Class E, stranded, 4x2x0,09 2xRJ45, IP67 Push Pull	
			Detail.	25.06.04	Wie			
			Insp.	25.06.04	Wae			
32405	10.11.04	Wie	Stand.				TB 09 45 745 1523	
32192	16.08.04	Wie						
32073								
Mod.	Dat.	Name	HARTING Electronics GmbH & Co. KG D-32339 ESPELKAMP				Sub.	Blatt/page

Mouser Electronics

Authorized Distributor

Click to View Pricing, Inventory, Delivery & Lifecycle Information:

HARTING:

[09457451525](#) [09457451551](#) [09457451553](#) [09457451532](#) [09457451523](#) [09457451527](#) [09457451591](#)
[09457451590](#) [09457451579](#) [09457451524](#) [09457451587](#) [09457451526](#) [09457451521](#) [09457451533](#)