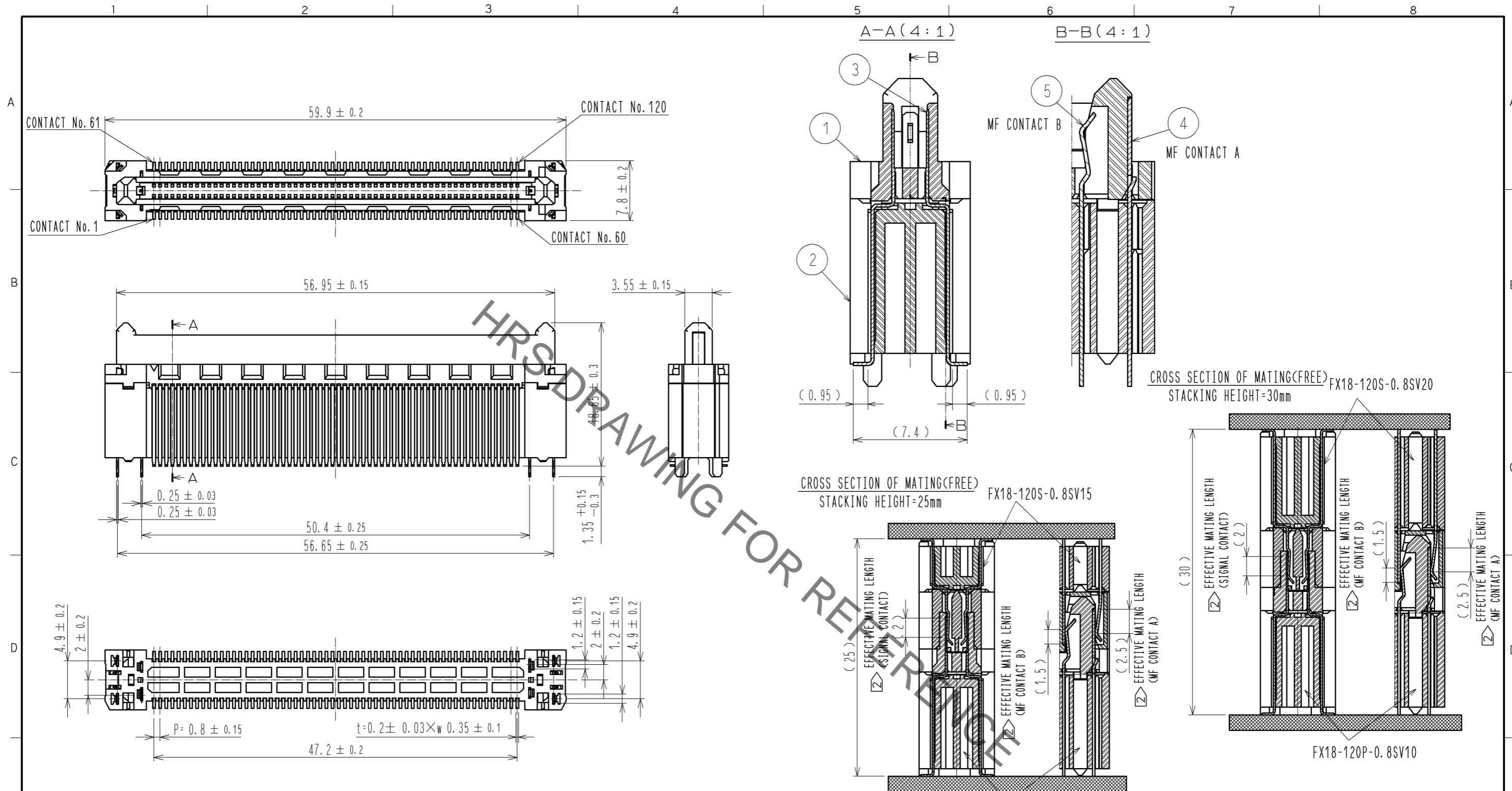


Aug.1.2020 Copyright 2020 HIROSE ELECTRIC CO., LTD. All Rights Reserved.
In case of consideration for using Automotive equipment / device which demand high reliability, kindly contact our sales window correspondents.



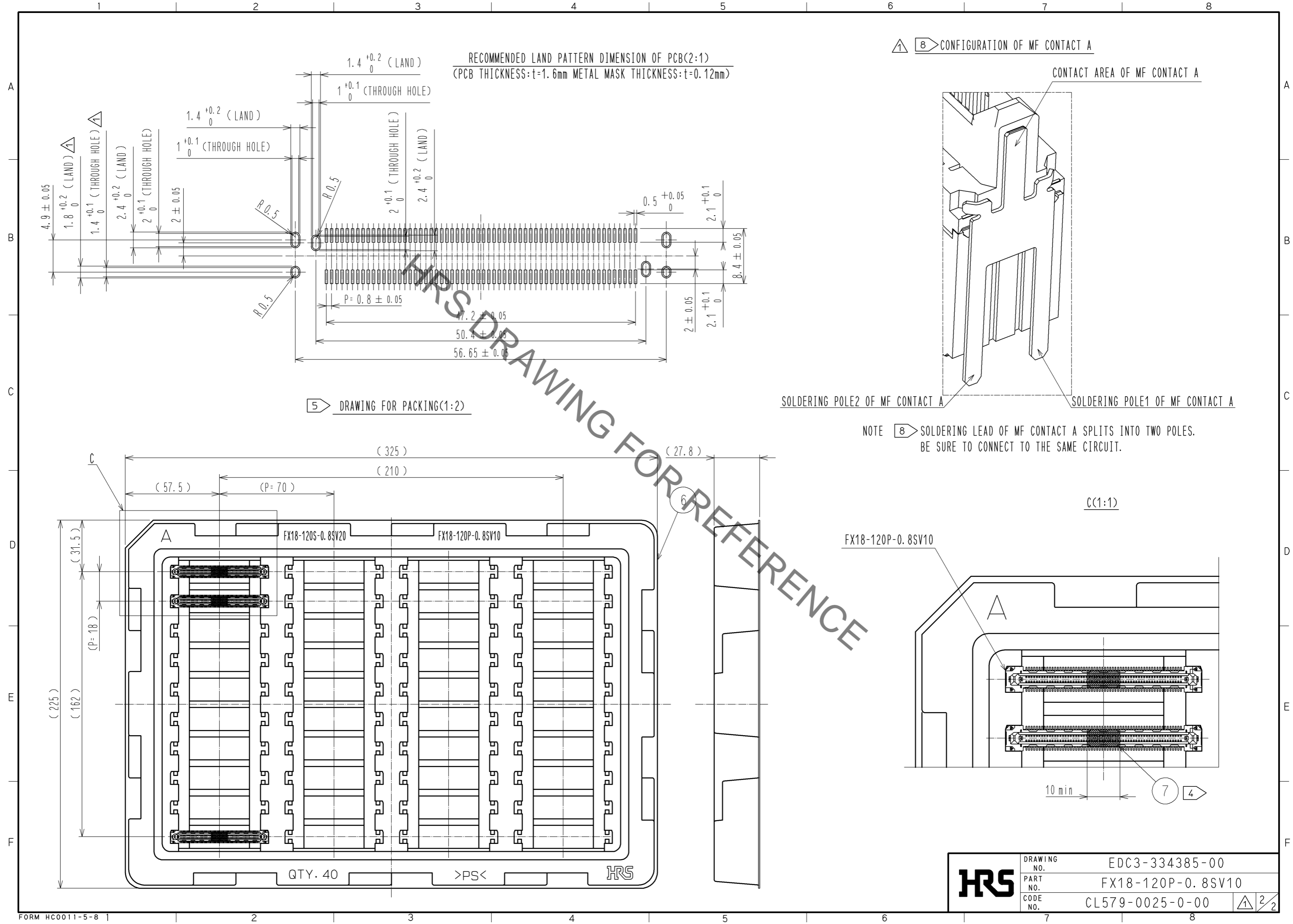
- NOTE 1 LEAD CO-PLANARITY IS 0.1mm MAX.
- ② CONTACTS ARE 3 STEPS SEQUENTIAL. (MF CONTACT A=>SIGNAL CONTACT=>MF CONTACT B) WHEN USING THIS SEQUENTIAL STRUCTURE, PLEASE AVOID ANGLED INSERTION.
 - ③ MF CONTACT A AND MF CONTACT B CAN BE USED AS POWER SUPPLY CONTACT. (3A/PIN MAX)
 - ④ IT SHOWS THE VACUUM PICKUP AREA. (SEE PAGE 2)
REMOVE THE MYLAR TAPE BEFORE MATING CONNECTORS.
 - ⑤ THIS IS PACKAGED IN TRAY. (40pcs/TRAY)
 - ⑥ BLEMISH AND HIT MARK CAN BE OCCURED THROUGH OUT THE MANUFACTURING PROCESS WHICH DOESN' T AFFECT QUALITY LEVEL.
 - ⑦ THE DIMENSIONS IN PARENTHESES ARE FOR REFERENCES.

7	POLYIMIDE	
6	POLYSTYRENE	
5	COPPER ALLOY	CONTACT AREA:GOLD 0.1 μm
		LEAD AREA:TIN-PLATING 1 μm
		UNDER PLATING:NICKEL 1.3 μm
4	COPPER ALLOY	CONTACT AREA:GOLD 0.1 μm
		LEAD AREA:TIN-PLATING 1 μm
		UNDER PLATING:NICKEL 1.3 μm
3	PHOSPHOR BRONZE	CONTACT AREA:GOLD 0.1 μm LEAD AREA:GOLD 0.03 μm UNDER PLATING:NICKEL 1.3 μm
2	POLYAMIDE	BLACK UL94V-0
1	POLYAMIDE	BLACK UL94V-0

NO.	MATERIAL	FINISH	REMARKS	NO.	MATERIAL	FINISH	REMARKS
7	POLYIMIDE			7	POLYIMIDE		
6	POLYSTYRENE			6	POLYSTYRENE		
5	COPPER ALLOY			5	COPPER ALLOY		
4	COPPER ALLOY			4	COPPER ALLOY		
3	PHOSPHOR BRONZE			3	PHOSPHOR BRONZE		
2	POLYAMIDE			2	POLYAMIDE		
1	POLYAMIDE			1	POLYAMIDE		

UNITS	mm	SCALE	2 : 1	COUNT	3	DESCRIPTION OF REVISIONS	DESIGNED	TH. SANO	CHECKED	KI. HIROKAWA	DATE	11.07.21
APPROVED : HS. OKAWA		11.03.17		DRAWING NO.		EDC3-334385-00						
CHECKED : KI. HIROKAWA		11.03.17		PART NO.		FX18-120P-0.8SV10						
DESIGNED : TH. SANO		11.03.17		CODE NO.		CL579-0025-0-00						
DRAWN : TH. SANO		11.03.17										

Aug.1.2020 Copyright 2020 HIROSE ELECTRIC CO., LTD. All Rights Reserved.
 In case of consideration for using Automotive equipment / device which demand high reliability, kindly contact our sales window correspondents.



HRS	DRAWING NO.	EDC3-334385-00	① 2/2
	PART NO.	FX18-120P-0.8SV10	
	CODE NO.	CL579-0025-0-00	

Mouser Electronics

Authorized Distributor

Click to View Pricing, Inventory, Delivery & Lifecycle Information:

[Hirose Electric:](#)

[FX18-120P-0.8SV10](#)