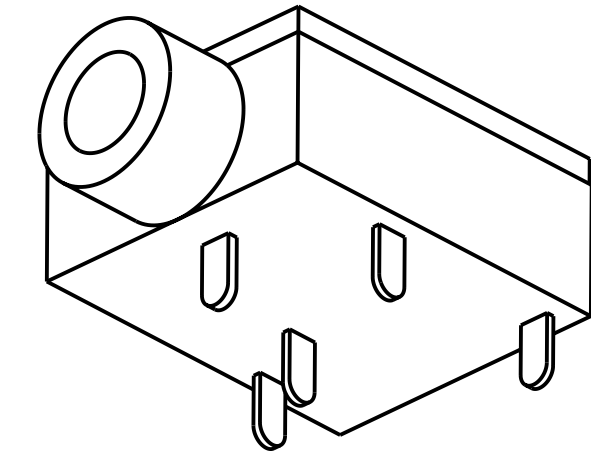
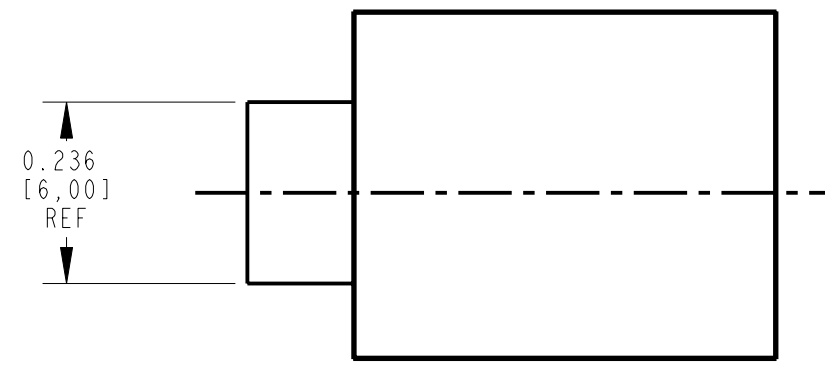
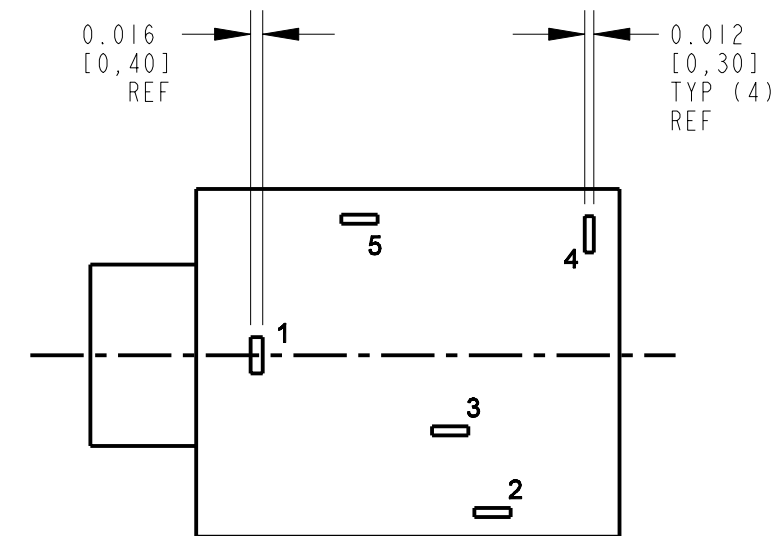
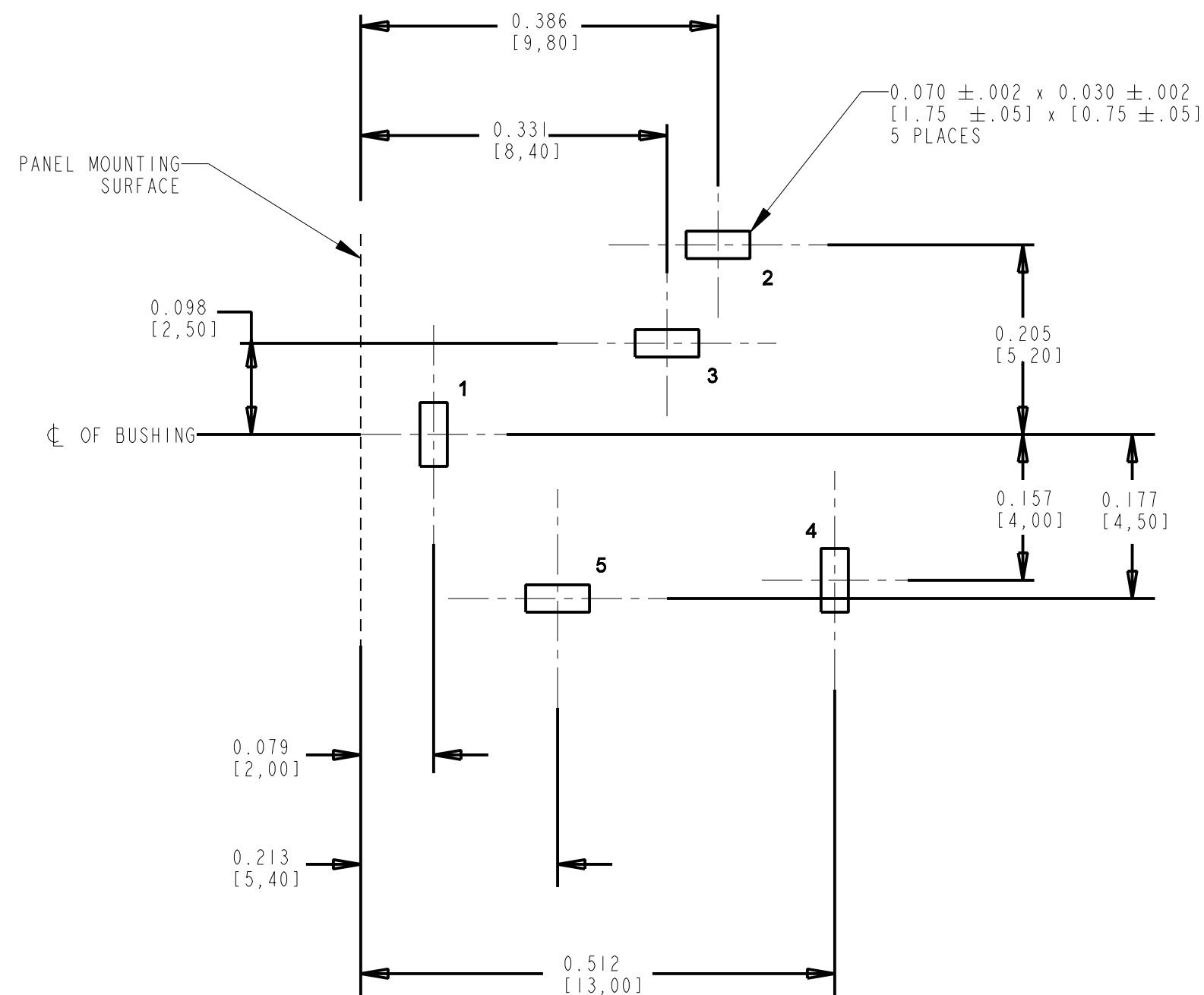
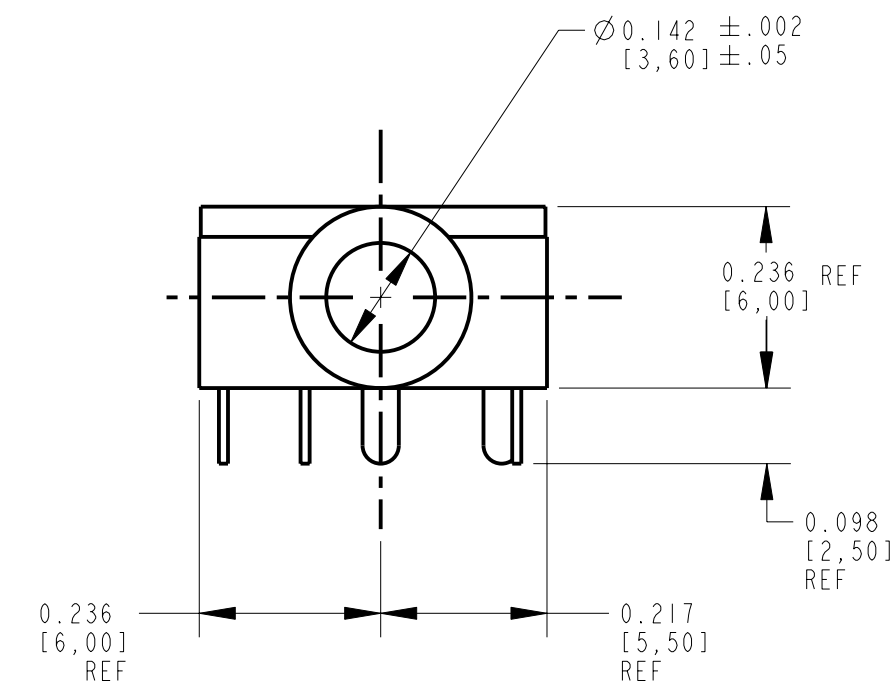
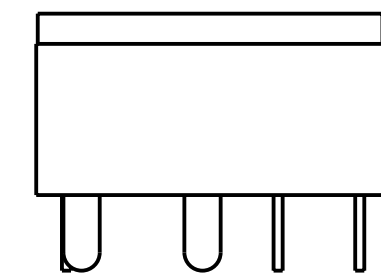
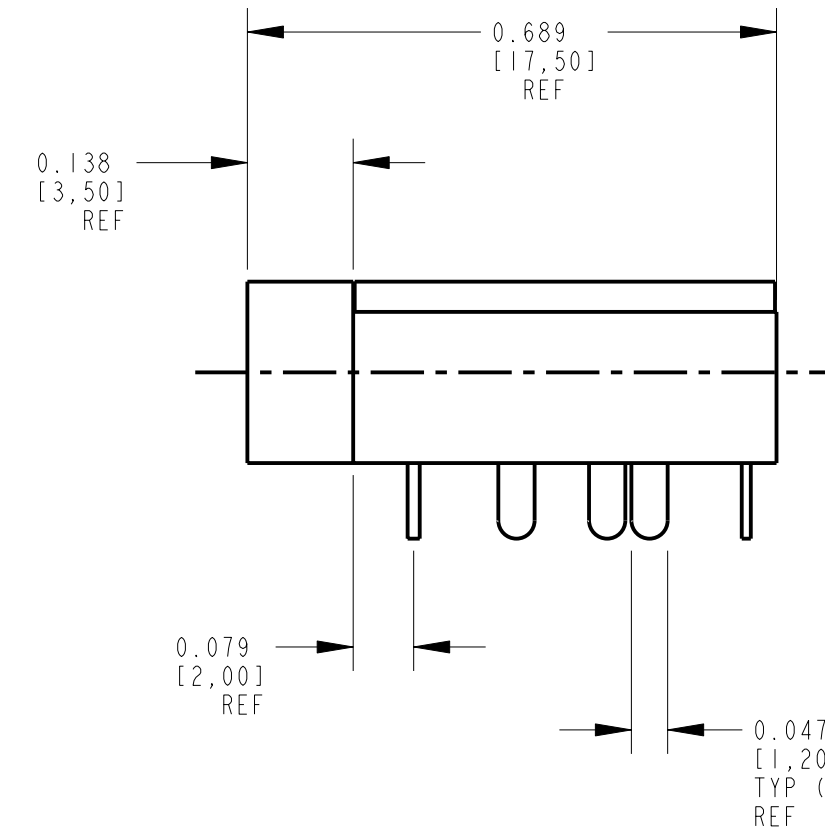


NOTES:

- ELECTRICAL:
CONTACT RESISTANCE: 20 MILLIOHMS MAX. INITIAL
100 MILLIOHMS MAX. AFTER LIFE
INSULATION RESISTANCE: 100 MEGAOHMS MIN.
DIELECTRIC WITH STANDING VOLTAGE: 250 VAC.
- MECHANICAL:
LIFE: 5000 CYCLES
INSERTION FORCE: 0,4 KG TO 1,6 KG
WITHDRAWAL FORCE: 0,4 KG TO 1,4 KG
- MATERIALS:
HOUSING: PBT BLACK, UL94-V0
BUSHING: BRASS, NICKEL PLATED
SPRINGS: COPPER ALLOY, SILVER PLATED
COVER: POLYCARBONATE, CLEAR, UL94-V0
- THIS PRODUCT IS RoHS COMPLIANT.



SCALE 4:1



PART NO.	SCHEMATIC
35RAPC3BHN3	
35RAPC4BHN3	
35RAPC2BHN3	
35RAPC2AHN3	

CUSTOMER DRAWING

<p>★ STAR SYMBOL DENOTES CRITICAL DIMENSION</p> <p>UNLESS OTHERWISE SPECIFIED</p> <p>1. ALL DIMENSIONS IN INCHES - TWO PLACE DECIMALS ± 0.01 - THREE PLACE DECIMALS ± 0.005 - FRACTIONAL DIMENSIONS $\pm 1/64$ - ANGLES $\pm 1'$ - ALL DIA. CONCENTRIC WITHIN 0.005 T.I.R.</p> <p>2. FEATURES ON THE SAME CENTERLINE MUST BE ALIGNED WITHIN ± 0.002</p> <p>3. REMOVE ALL BURRS</p>				<p>THIS DRAWING DESCRIBES A DESIGN CONSIDERED PROPRIETARY IN NATURE, DEVELOPED AND MANUFACTURED BY SWITCHCRAFT INC. AND IS RELEASED ON A CONFIDENTIAL BASIS FOR IDENTIFICATION PURPOSES ONLY.</p> <p>SIZE WIDTH MULT LBS/M TEMPER</p> <p>FINISH MATERIAL</p> <p>SPEC No. SPEC No.</p> <p>FIRST USED ON SCALE 4:1</p> <p>DATE DRAWN BY CHKD APVD</p> <p>4-May-95 SG 5-8-95 5-8-95</p> <p>NAME 3.5 MM HORIZONTAL, NON THREADED BUSHING MONO/STEREO JACK, RoHS</p>			
D	27551	8-4-15	TO	TJK	<p>Switchcraft</p> <p>SHEET OF </p> <p>PART No. 35RAPC_HN3</p> <p>REV D</p>		
C	26658	11-10-10	TO	TJK			
B	26553	6-8-10	TJK	TJK			
A	RELEASE TO MFG. ECO #19561	5-4-95	SG	GHJ			
REV	ECO NUMBER	DATE	BY	APVD			

RECOMMENDED PC BOARD COMPONENT SIDE

Mouser Electronics

Authorized Distributor

Click to View Pricing, Inventory, Delivery & Lifecycle Information:

Switchcraft:

[35RAPC2AHN3](#) [35RAPC2BHN3](#) [35RAPC3BHN3](#) [35RAPC4BHN3](#)