

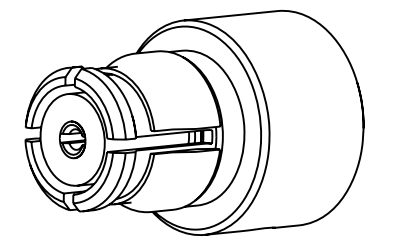
NOTES:

1. MATERIALS AND FINISHES:
 BODY & CONTACT - BeCu, GOLD PLATING,
 INSULATOR - PTFE, NATURAL
 CAP - BRASS, GOLD PLATING
 RETAINER RING - BeCu, NICKEL PLATING
 2. ELECTRICAL:
 A. IMPEDANCE: 50 OHM
 B. FREQUENCY RANGE: DC - 26.5 GHz
 C. VSWR (RETURN LOSS): 1.20 MAX. (-20.8 dB MIN.) @ DC - 10 GHz
 1.40 MAX. (-15.6 dB MIN.) @ 10 - 18 GHz
 1.50 MAX. (-14 dB MIN.) @ 18 - 26.5 GHz
 D. DIELECTRIC WITHSTANDING VOLTAGE: 500 VRMS, MIN.
 3. MECHANICAL:
 A. DURABILITY: 100 CYCLES MIN. WHEN MATED FULL DETENT JACK
 500 CYCLES MIN. WHEN MATED LIMITED DETENT JACK
 1000 CYCLES MIN. WHEN MATED A SMOOTH BORE JACK
 B. TEMPERATURE RANGE: -65°C TO +165°C
 C. MATING FORCES (PER DSCC #94007):
 ENGAGEMENT: FULL DETENT: 15 LBS (67 N) MAX.
 LIMITED DETENT: 10 LBS (45 N) MAX.
 SMOOTH BORE: 2 LBS (9 N) MAX.
 DISENGAGEMENT: FULL DETENT: 2 LBS (9 N) MIN.
 LIMITED DETENT: 2 LBS (9 N) MIN.
 SMOOTH BORE: 0.5 LBS (2.2 N) MIN.
 4. PACKAGING:
 A. QUANTITY: SINGLE PACK
 B. MARKING: BAG TO BE MARKED
 "AMPHENOL RF, SMP-FR-C06-2, DATE CODE"
 5. CABLE ASSEMBLY INSTRUCTIONS:
 A. SEE AMPHENOL SPEC 349-50687.
6. SHOWS CABLE ENTRY DIMENSIONS.

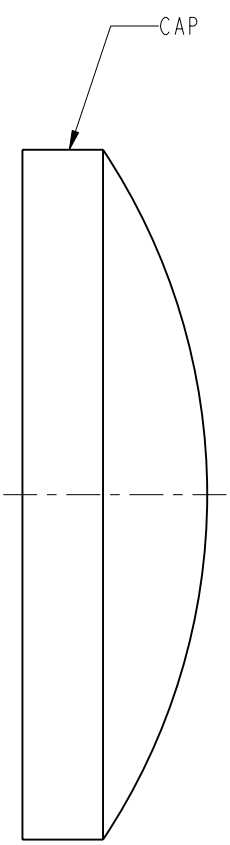
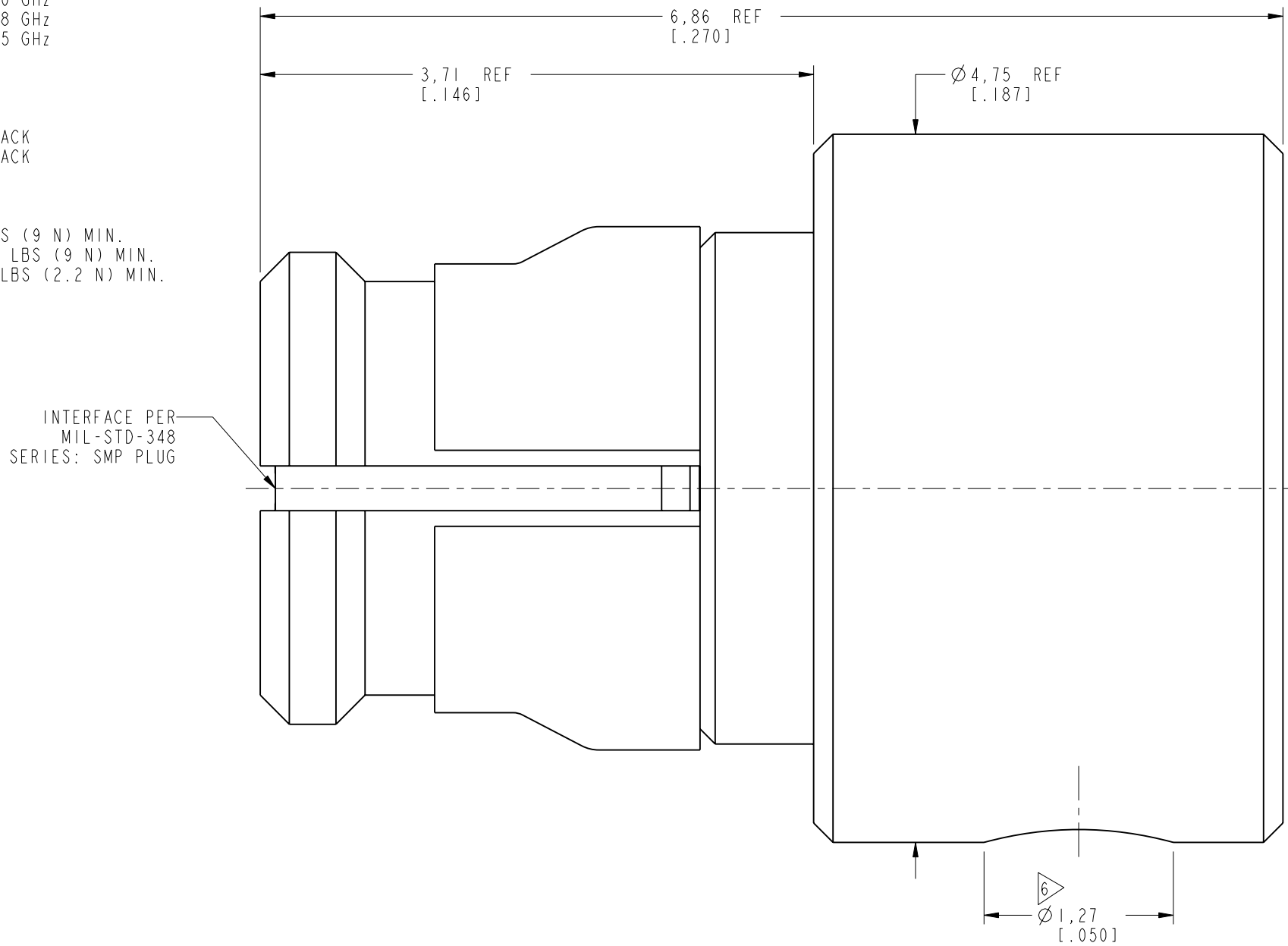
THIRD ANGLE PROJ.

REVISIONS

REV	DESCRIPTION	DATE	ECO	APPR
A	RELEASE TO MFG	30-May-18	08221	BMG



SCALE 6.000



CUSTOMER OUTLINE DRAWING
 ALL OTHER SHEETS ARE FOR INTERNAL USE ONLY

UNLESS OTHERWISE SPECIFIED, DIMENSIONS ARE IN METRIC AND TOLERANCES ARE: <0.5mm ±0.05mm 0.5 - 6mm ±0.1mm 6 - 30mm ±0.2mm 30 - 120mm ±0.3mm ANGLES ±1°	MATERIAL	DRAWN	DATE	TITLE SMP R/A PLUG WITH ANTI-ROCK RING FOR .047" SEMI RIGID CABLE	Amphenol RF www.amphenolrf.com	
	SEE NOTES	K. SONG	02-Jun-18			
NOTICE - These drawings, specifications, or other data (1) are, and remain the property of Amphenol corp. (2) must be returned upon request; and (3) are confidential and not to be disclosed to any person other than those to whom they are given by Amphenol Corp. the furnishing of these drawings, specifications, or other data by Amphenol Corp., or to any other person to anyone for any purpose is not to be regarded by implication or otherwise in any manner licensing, granting rights to permitting such holder or any other person to manufacture, use or sell any product, process or design, patented or otherwise, that may in any way be related to or disclosed by said drawings, specifications, or other data.	REFERENCE	ENGINEER	DATE	SCALE: 26.0:1.0	DRAWING NO. SMP-FR-C06-2 ITEM NO. SMP-FR-C06-2 PART NO. SMP-FR-C06-2	
	EAR # 8016 AND SMP-FR-C06	VIJI K	05-Dec-17	SHEET 2 OF 2		
	CONFIGURATION LEVEL: In Work	APPROVED	S. HSIEH	DATE	DWG SIZE	REV
	FINISH			05-Jun-18	B	A

Mouser Electronics

Authorized Distributor

Click to View Pricing, Inventory, Delivery & Lifecycle Information:

[Amphenol:](#)

[SMP-FR-C06-2](#)