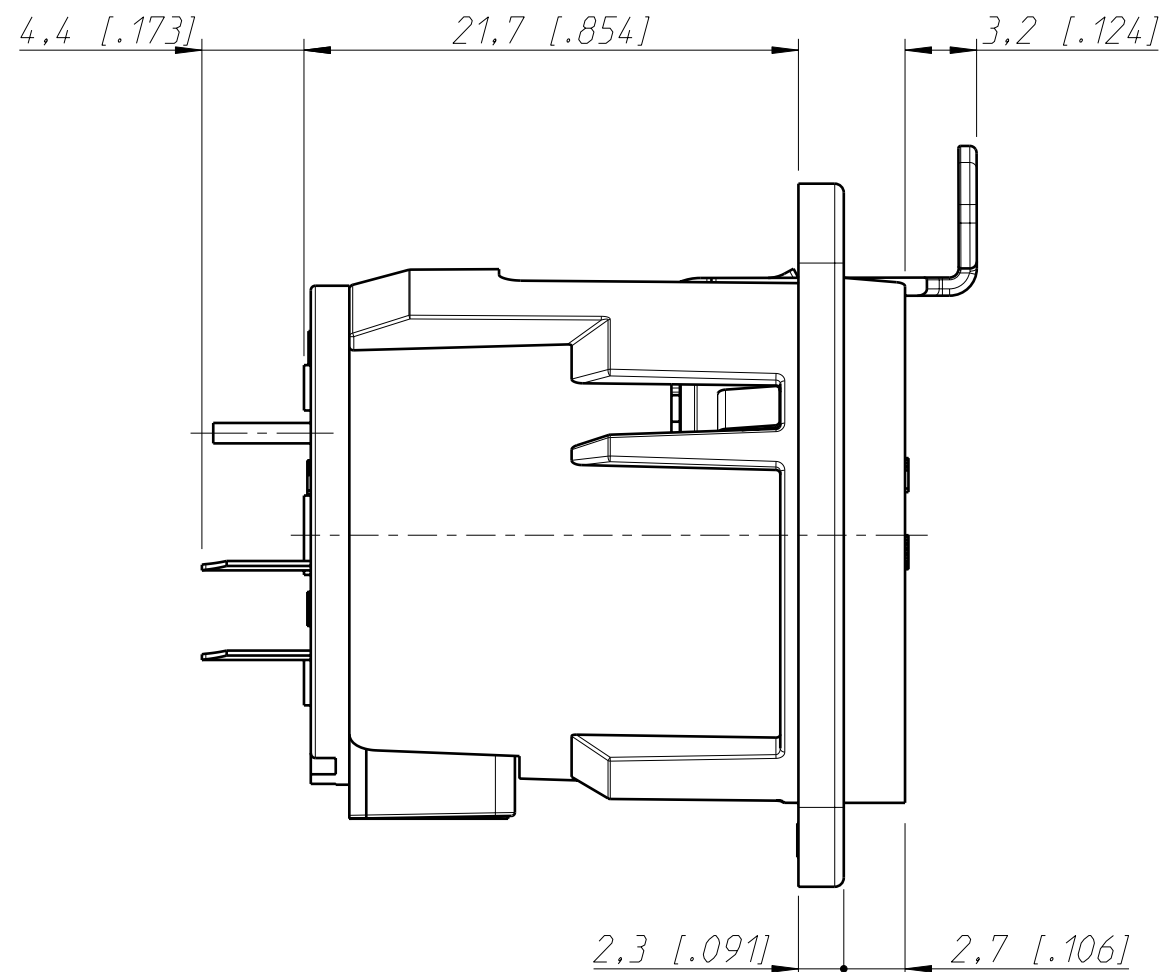
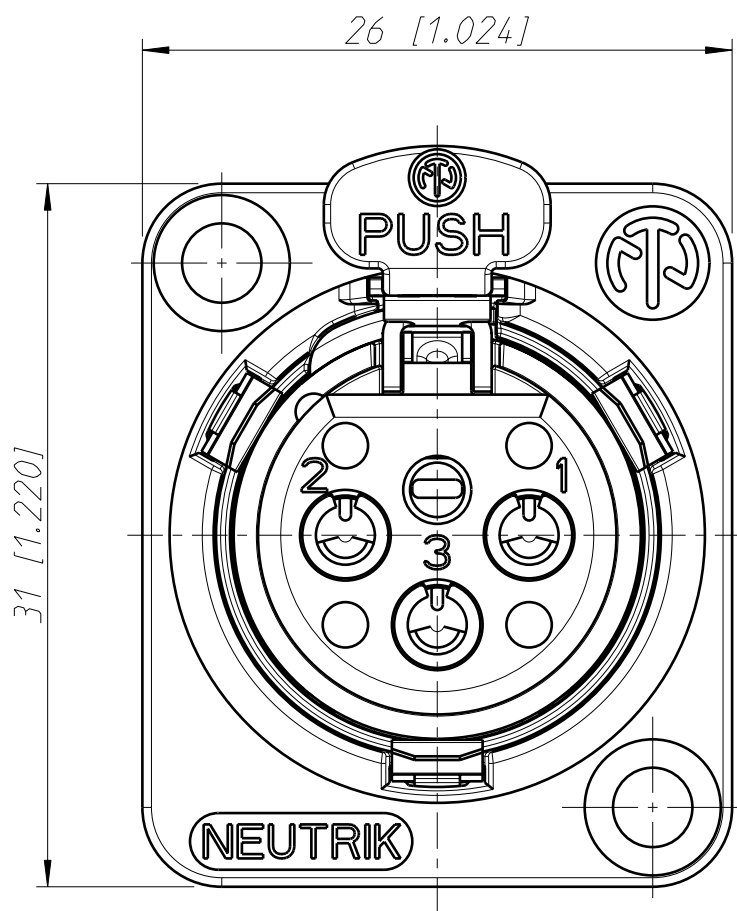
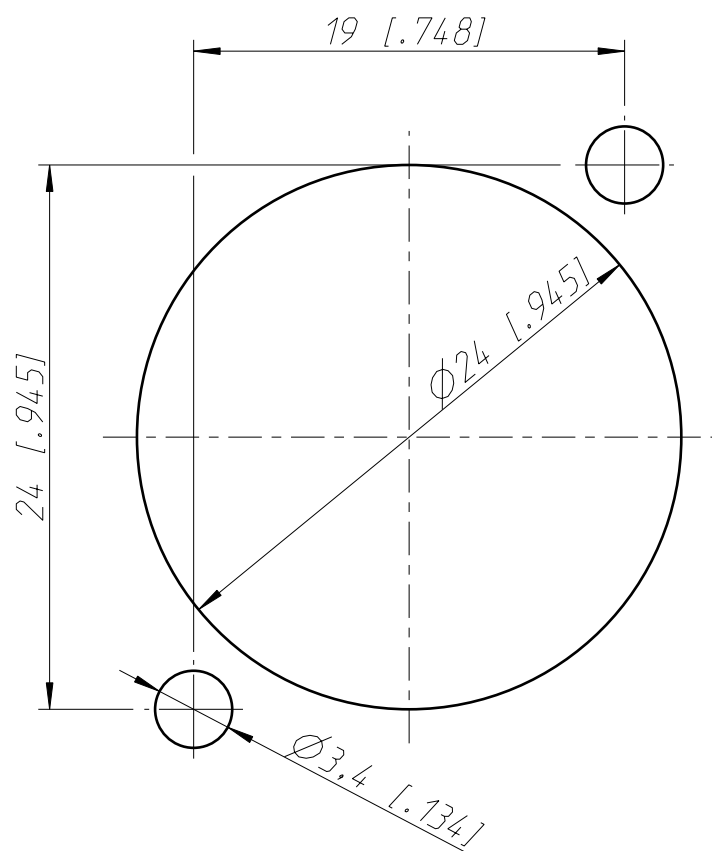
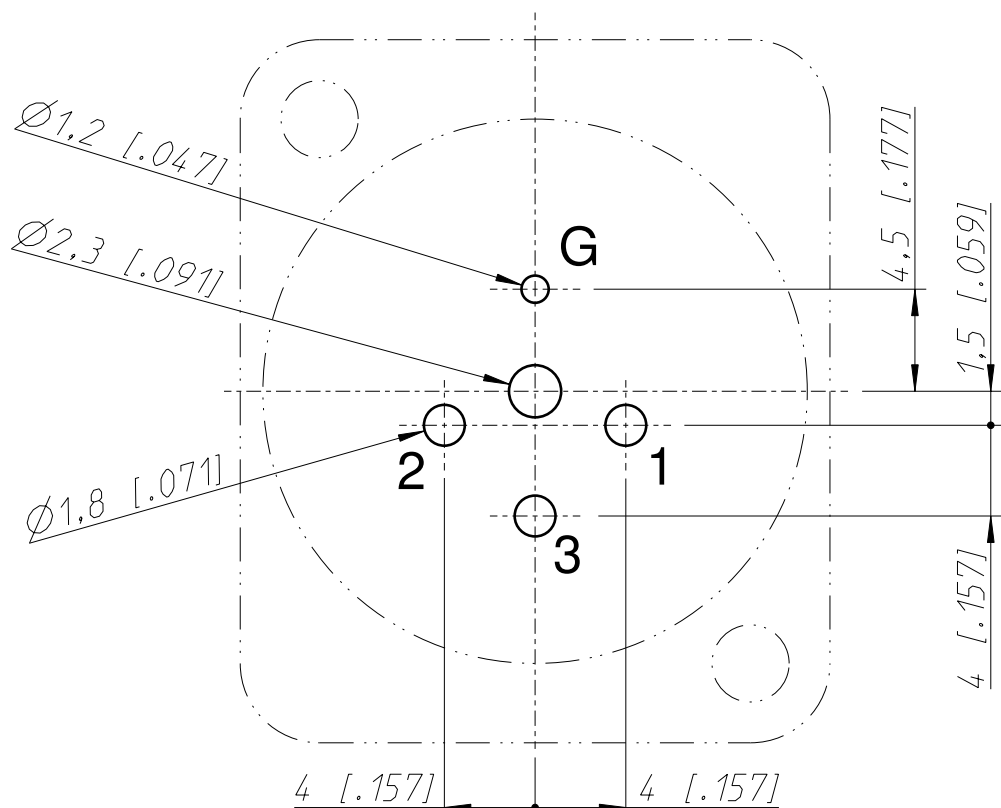


Frontplattenausschnitt (Rückseite)  
panel cut out (rear side)



Print Bohrplan (Bestückungsseite)  
PCB-Layout (component side)



General tolerances ISO 2768-m	Scale	Date	Name
Refer to protection notice ISO 16016.	3:1 (A3)	31.10.95	Dobler
Name		Modified	Dobler
NC3FD-V		Change-No.	Index
		65-2015	1 / 1
		Replacement for:	
		Drawing-No.	
		ST-NC3FD-V	

**NEUTRIK**

# Mouser Electronics

Authorized Distributor

Click to View Pricing, Inventory, Delivery & Lifecycle Information:

[Neutrik:](#)

[NC3FD-V](#) [NC3FD-V-BAG](#) [NC3FDV-B](#) [NC3FD-V-I-B](#) [NC3FD-V-B](#)