

TIMEGUARD®

LED Wide Beam Floodlight



Model: LEDX20FLBN (Black)
Model: LEDX20FLWHN (White)



Model: LEDX10FLBN (Black)
Model: LEDX10FLWHN (White)



Model: LEDX30FLBN (Black)
Model: LEDX30FLWHN (White)

Installation & Operating Instructions

1. General Information

These instructions should be read carefully and retained for further reference and maintenance.

2. Safety

- Before installation or maintenance, ensure the mains supply to the luminaire is switched off and the circuit supply fuses are removed or the circuit breaker turned off.
- It is recommended that a qualified electrician is consulted or used for the installation of this luminaire and install in accordance with the current IEE wiring and Building Regulations.
- Check that the total load on the circuit including when this luminaire is fitted does not exceed the rating of the circuit cable, fuse or circuit breaker.

3. Technical Specifications

- 230V AC, 50Hz
- These luminaires are of class I construction and must be earthed
- Colour Temperature: 4000K
- Energy Efficiency: Class E
- IP55 Rated suitable for restricted external applications
- CE Compliant

LEDX10FLBN-WHN

- 10W LED Non replaceable lamp
- Energy Usage: 12Kwh/1000h
- Lumen Output: 1000lm

LEDX20FLBN-WHN

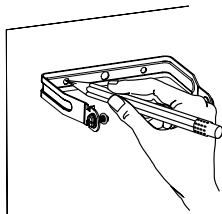
- 20W LED Non replaceable lamp
- Energy Usage: 21Kwh/1000h
- Lumen Output: 2000lm

LEDX30FLBN-WHN

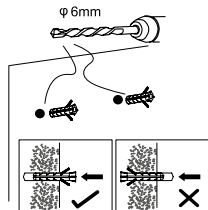
- 30W LED Non replaceable lamp
- Energy Usage: 32Kwh/1000h
- Lumen Output: 3000lm

4. Installation

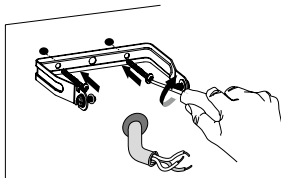
- 4.1 Mark the position of the mounting holes on the wall using the U bracket supplied as a template.



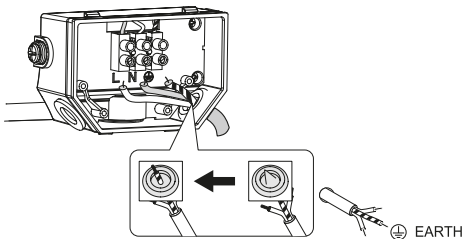
- 4.2 Drill the holes for the wall plugs ensuring not to infringe with any gas/water pipes or electrical cables that may be hidden below the surface.



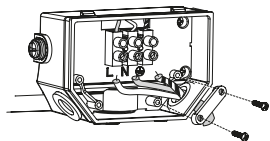
- 4.3 Fix the U bracket to the wall using the correct screws for the wall plugs installed.



- 4.4 Secure the supply cable into the junction box through the hole(s) provided ensuring that a cable gland, grommet or sealing compound is used to maintain the IP rating of the luminaire.



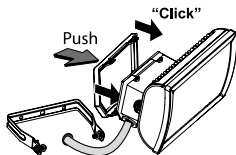
- 4.5 Attach the strain relief to the luminaire and screw in ensuring not to over-tighten.



Screws: (M3 x 12mm) x 2

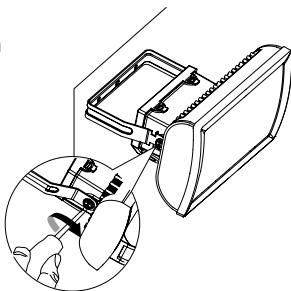
- 4.6 Terminate the supply cable into the terminal block (please refer to section 5 connection diagram) ensuring correct polarity is observed and that all bare conductors are sleeved.

- 4.7 Attach the supplied wall plate to the luminaire, apply pressure to catches located on top and bottom until all click into place to ensure the weatherproof seal.

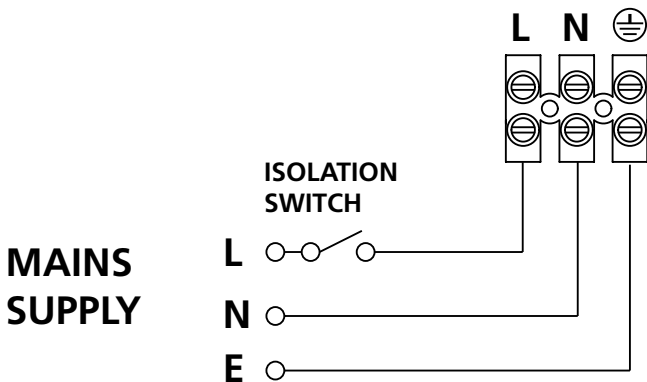


3

- 4.8 Attach the luminaire to the U bracket fitted to the wall, then screw in on both sides ensuring not to over-tighten.



5. Connection Diagram



4

Connect the 3 core mains supply cable to the block on the unit as follows:-

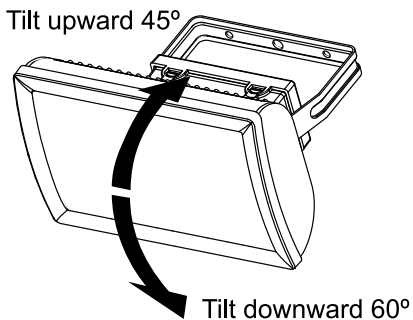
LIVE (Brown or Red)	L
NEUTRAL (Blue or Black)	N
EARTH (Green/Yellow)	(ground symbol)

6. Operation

- Turn the power on to the isolating switch and test for correct operation.

7. Lamp Adjustment

- The lamp can be tilted upwards 45° and tilted downwards 60°.



3 Year Guarantee

In the unlikely event of this product becoming faulty due to defective material or manufacture within 3 years of the date of purchase, please return it to your supplier in the first year with proof of purchase and it will be replaced free of charge. For years 2 and 3 or any difficulty in the first year, telephone the helpline on 020 8450 0515.

Note: A proof of purchase is required in all cases. For all eligible replacements (where agreed by Timeguard) the customer is responsible for all shipping/postage charges outside of the UK. All shipping costs are to be paid in advance before a replacement is sent.



If you experience problems, do not immediately return the unit to the store. Telephone the Timeguard Customer Helpline:

HELPLINE

020 8450 0515

or email helpline@timeguard.com

Qualified Customer Support Coordinators will be online to assist in resolving your query.



A **theben** Group Company

For a product brochure please contact:

Timeguard Limited.

Victory Park, 400 Edgware Road,
London NW2 6ND

Sales Office: 020 8452 1112
or email csc@timeguard.com

www.timeguard.com