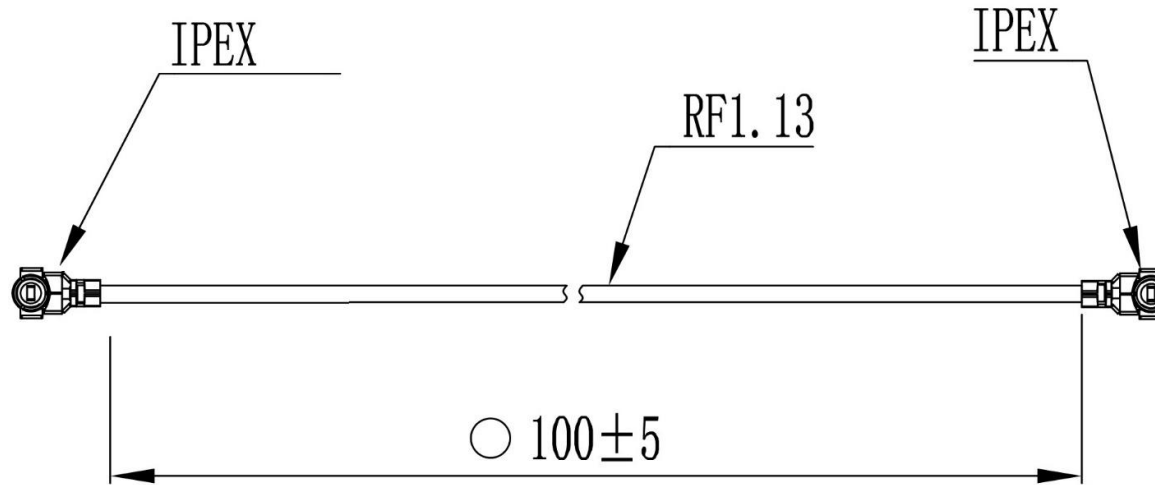




# JIASHAN JINCHANG ELECTRON CO.,LTD

REV	DESCRIPTION	DATE
A	AD.ANT.027	2012-03-03



### Electrical Performance

- 1 Impedance: 50 ohms
- 2 Frequency Range: 0~5GHz
- 3 V.S.W.R: ≤2.0
- 4 Operating Voltage: 300 Vrms Max.
- 5 Insulator Resistance: 10 Megohms Min.
- 6 Operating Temperature: -40°C ~+90°C
- 7 Open and Short Test

<b>DRAWN BY</b>	Jimmy	<b>DRAWING NO.</b>	
<b>CHECKED BY</b>		<b>SCALE</b>	
<b>APPROVED BY</b>		<b>UNIT</b>	mm
<b>SORTING NO.</b>		<b>PAGE</b>	1