

PLT5BPH1015R6SN#

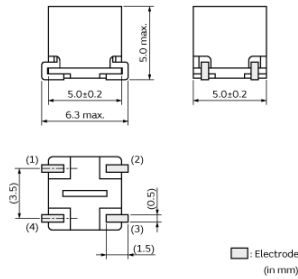
“#” indicates a package specification code.



< List of part numbers with package codes >

PLT5BPH1015R6SNB PLT5BPH1015R6SNL

Appearance & Shape



Features

Features

1. It can be used under the -55 °C ~ +150 °C usage environment.
2. Meets large current up to 5.6A max. suitable for power lines.
3. Meets to surface mounting.
4. Large common mode impedance up to 500ohm (at 10mhz) enables good noise suppression effect.

Application

Common mode noise suppression in automotive equipments, audio amps for automotive, car navigations, and other general power lines.

Applications

Automotive Usage	Powertrain/Safety
------------------	-------------------

Packaging Information

Packaging	Specifications	Minimum Order Quantity
B	Bulk(Bag)	50
L	180mm Embossed Tape	300

Attention

1. This datasheet is downloaded from the website of Murata Manufacturing Co., Ltd. Therefore, it's specifications are subject to change or our products in it may be discontinued without advance notice. Please check with our sales representatives or product engineers before ordering.
2. This datasheet has only typical specifications because there is no space for detailed specifications. Therefore, please review our product specifications or consult the approval sheet for product specifications before ordering.

PLT5BPH1015R6SN#

“#” indicates a package specification code.



Specifications

Shape	SMD	Operating Temperature Range	-55°C to 150°C
Size Code (in mm)	5050	Mass(typ.)	0.48g
Size Code (in inch)	2020	Number of Circuit	1
Length	5.0mm	Operating Temperature Range(Self-temperature rise is included)	No
Length Tolerance	±0.2mm		
Width	5.0mm		
Width Tolerance	±0.2mm		
Thickness	5.0mm		
Thickness Tolerance	max.		
Common Mode Impedance (at 10MHz)	100Ω		
Common Mode Impedance (at 10MHz) Tolerance	(Typ.)		
Rated Current	5.6A		
Rated Voltage	80Vdc		
Withstanding Voltage	200Vdc		
DC Resistance(max.)	5.2mΩ		
DC Resistance	4mΩ±30%		
Insulation Resistance(min.)	10MΩ		

Attention

1.This datasheet is downloaded from the website of Murata Manufacturing Co., Ltd. Therefore, it's specifications are subject to change or our products in it may be discontinued without advance notice. Please check with our sales representatives or product engineers before ordering.

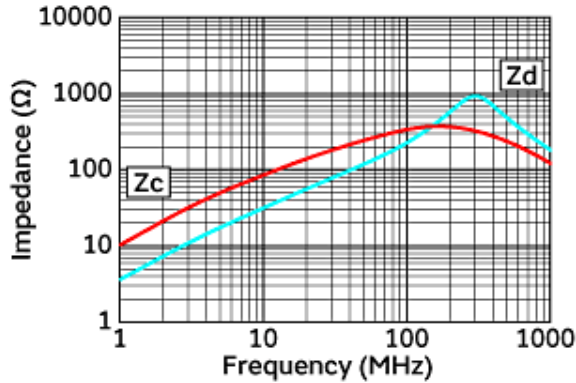
2.This datasheet has only typical specifications because there is no space for detailed specifications.

Therefore, please review our product specifications or consult the approval sheet for product specifications before ordering.

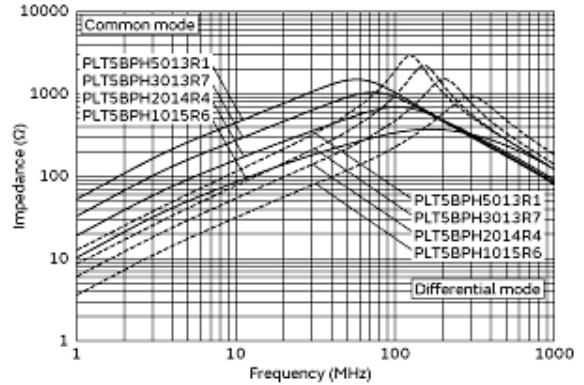
PLT5BPH1015R6SN#

“#” indicates a package specification code.

Product Data



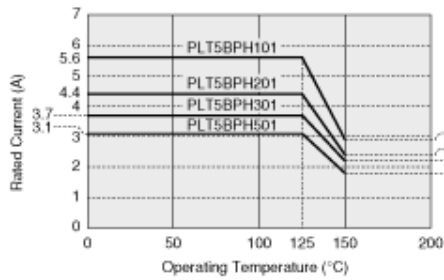
Impedance-Frequency Characteristics



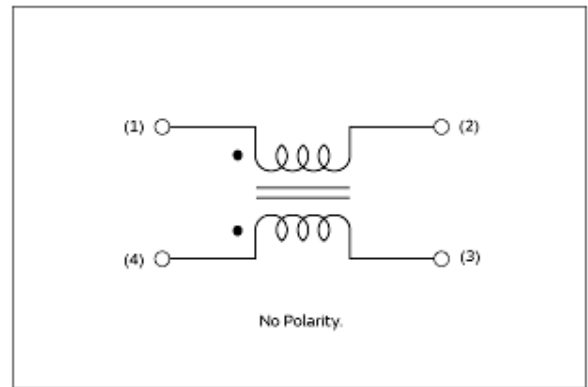
Impedance-Frequency Characteristics (Main Items)

In operating temperature exceeding +125°C, derating of current is necessary for PLT5BP series. Please apply the derating curve shown in chart according to the operating temperature.

Derating of Rated Current



Derating of Rated Current



Equivalent Circuit

Attention

1. This datasheet is downloaded from the website of Murata Manufacturing Co., Ltd. Therefore, its specifications are subject to change or our products in it may be discontinued without advance notice. Please check with our sales representatives or product engineers before ordering.
2. This datasheet has only typical specifications because there is no space for detailed specifications. Therefore, please review our product specifications or consult the approval sheet for product specifications before ordering.