

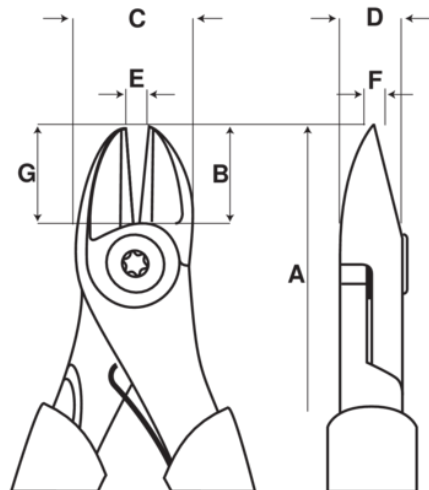


TAH2101G-160
ERGO™ Spring Side Cutting Pliers
with Safety Ring 160 mm



PRODUCT DETAILS





- Side cutting pliers developed according to the scientific ERGO™ process
- ERGO™ handles with two-component combination, thermoplastic surface on tough polypropylene to give a superior grip
- Induction hardened cutting edges
- Progressive edges: The cutting radius progresses along the edge in order to cut hard material like piano wire close to the joint
- Soft materials like copper and plastic insulated wire at the tip
- Equipped with a patented return spring featuring an on/off function
- High performance alloy steel
- Phosphate finish, anti-corrosion treated
- ISO 5749
- Suitable for working at height
- Permanent stainless steel ring attached directly to the body of the plier maintains user ergonomics and full functionality
- Safety ring is attached to the metallic part to avoid losing handle
- Coloured tags with maximum weight for proper match with lanyard
- Compliant with DROPS best practices



Follow the Fish!



PRODUCT ATTRIBUTES

Product	A	B	C	D	E	 Cu	 Fe+	 Piano	 g
TAH2101G-160	165 mm	20 mm	21 mm	11 mm	2 mm	3.8 mm	2.5 mm	2.0 mm	180 g

Follow the Fish!

