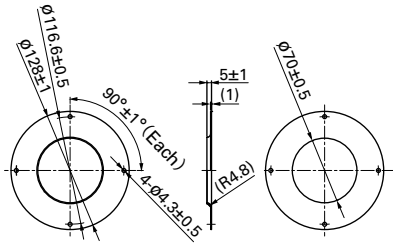


Nozzle mounted in fan inlet side to adjust the flow of introduced air. Material: Steel sheet

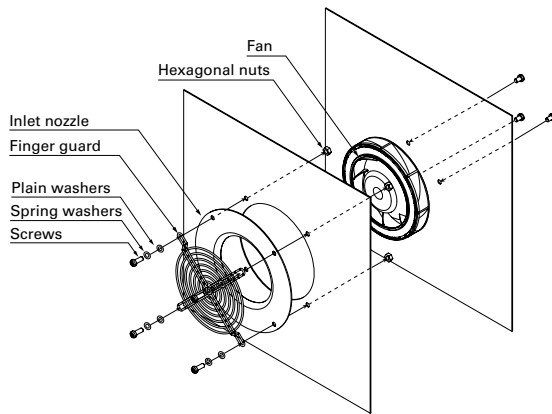
Ø100 mm type

Model no.	Surface treatment	Mass (g)
109-1080	Electro nickel plating (silver)	80



Mounting example

Centrifugal fan



Mouser Electronics

Authorized Distributor

Click to View Pricing, Inventory, Delivery & Lifecycle Information:

[Sanyo Denki:](#)

[109-1080](#) [109-1080H](#)