

J-Series

HYDRAULIC-MAGNETIC CIRCUIT BREAKER

Designed to provide high levels of circuit protection, the J-Series is a compact, low profile hydraulic magnetic circuit breaker ideally suited for high power density applications. This versatile circuit breaker is available with a variety of actuator styles and terminal options to suit most any requirement.

1-3 poles; ratings from: 1-20 amps, up to 240VAC; UL 489 Listed, cULus Listed and TUV EN60947-2.



Resources:

[Configure a Complete Part](#)

[Download CAD & Sales Drawing >](#)

[Watch Product Video](#)



Product Highlights:

- Low Profile / Depth
- Up to 10,000AIC Short Circuit Capacity
- UL 489 Listed, cULus Listed and TUV EN60947-2

Typical Applications:

- Datacom / Telecom
- AC Power Distribution Units
- AC Power Supplies
- Power Dense Motors & Controls
- Marine Applications Requiring Higher Interrupting Capacity



Carling Technologies, Inc.
60 Johnson Avenue, Plainville, CT 06062
Email: sales@carlingtech.com
Application Support: team2@carlingtech.com
Phone: 860.793.9281 Fax: 860.793.9231

www.carlingtech.com

Electrical Tables

Table A: Voltage and Current Rating

J-SERIES TABLE A : ELECTRICAL RATINGS								
Circuit Configuration	Voltage			Current Rating	Short Circuit Capacity (Amps)			Construction Notes
	Max Rating	Frequency	Phase	Full Load Amps	UL / cULus	TUV		
					without backup fuse	with backup fuse	without backup fuse	
Series	120/240 240	50 / 60	1	1.0 - 20.0	10,000	5,000	5,000	2 or 3 Pole 1 or 2 Pole

Electrical

Dielectric Strength Meets UL and cULus requirements and can withstand 1500 VAC, 60Hz for one minute between all electrically isolated terminals.

Insulation Resistance Minimum of 100 Megohms @ 500VDC

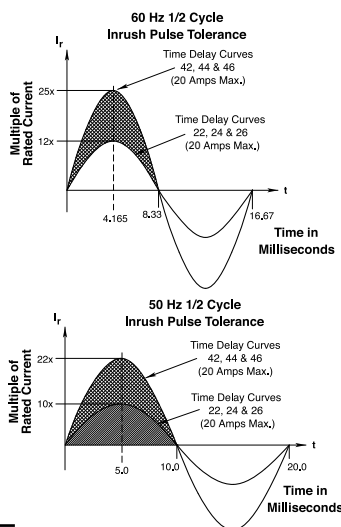
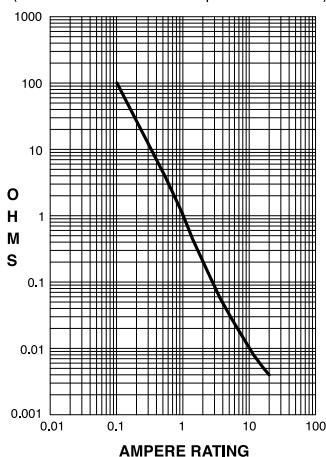
Overload 50 operations @ 600% of rated current for AC rated devices.

Inrush Pulse Tolerance Standard delays 12 times rated current, high inrush delays 25x for 1/2 cycle @ 60Hz

Interrupt Capacity See Table A

Resistance / Impedance (Across circuit breaker terminals)

from Line to Load Terminals
(Values Based on Series Trip Circuit Breaker)



CURRENT (AMPS)	TOLERANCE (%)
0.10 - 5.0	+/- 15
5.1 - 20.0	+/- 25

Mechanical

Endurance 6,000 ON-OFF operations @ 6 per minute; with rated Current and Voltage. 4,000 ON-OFF operations with no load.

Trip Free All J-Series Circuit Breakers will trip on overload, even when actuator is forcibly held in the ON position.

Trip Indication The operating actuator moves positively to the OFF position when an overload causes the breaker to trip.

Physical

Number of Poles 1 - 3 poles

Termination Designed for use with straight, fork, flanged fork, and ring terminals.

Termination Torque See dimensional specs page (Table 1) for tightening torque specifications (Line and Load terminals)

Terminal Barrier Foldable barriers to comply with regulatory standards.

Mounting Threaded Insert: #6-32 UNC-2B or M3 x 0.5-6 H B ISO (2 per Pole).

Insert Termination Torque 7-9 in-lbs

Actuator Rocker with or without guard

Internal Circuit Config. Series Trip, without auxiliary switch

Materials Housing - Glass Filled Polyester
Rocker – Nylon
Line/Load Terminals – Copper Alloy;
Bright Acid Tin Plated

Weight ~170 Grams (~5.75 Ounces) per pole

Standard Color Housing - Black.
Rocker – Several (See ordering scheme)

Environmental

Designed and tested in accordance with requirements of specification MIL-PRF-55629 & MIL-STD-202 as follows:

Operating Temperature -40° C to +85° C

Storage Temperature -40° C to +85° C

Vibration Withstands 0.060" excursion from 10-55Hz, and 10G's 55-500Hz, at rated current per Method 204C, Test Condition A. Instantaneous and ultrashort curves tested @ 90% of rated current.

Shock Withstands 100G's, 6ms saw tooth while carrying rated current per Method 213B, Test Condition "I". Instantaneous and ultra short curves tested @ 90% rated current.

Moisture Resistance Method 106G, i.e., Ten 24-hour cycles at +25°C to +65°C, 80-98% RH.

Salt Spray Method 101, Condition A (90-95% RH @ 5% NaCl Solution, 96 hours)

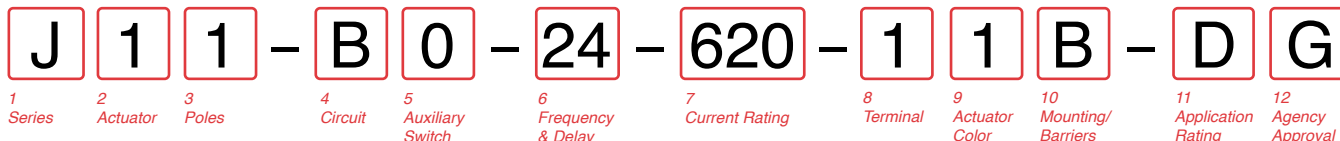
Thermal Shock Method 107G, Condition A (Five cycles @ -55°C to +25°C to +85°C to 25°C)

Agency Approvals

UL489, cUL CAN/CSA 22.2 No. 5, TUV EN60947-2, cULus

GPS-8005 Rev: B

*Manufacturer reserves the right to change product specification without prior notice.



1 SERIES
J J-Series Circuit Breaker

2 ACTUATOR
FLAT ROCKER:
Two Color Visi-Rocker
1 Indicate OFF, vertical legend
2 Indicate OFF, horizontal legend
Single color
3 Vertical legend
4 Horizontal legend
Push-To-Reset, Visi-Rocker
5 Indicate OFF, vertical legend
6 Indicate OFF, horizontal legend
Push-To-Reset, Single color
7 Vertical legend
8 Horizontal legend
CURVED ROCKER:
Two Color Visi-Rocker
C Indicate ON, vertical legend
D Indicate ON, horizontal legend
F Indicate OFF, vertical legend
G Indicate OFF, horizontal legend
Single color
J Vertical legend
K Horizontal legend

3 POLES
1 One
2 Two
3 Three ¹

4 CIRCUIT
B Series Trip (Current)

5 AUXILIARY SWITCH
0 without Aux Switch

6 FREQUENCY & TIME DELAY
20 50 / 60Hz Instantaneous ²
21 50 / 60Hz Ultra Short
22 50 / 60Hz Short
24 50 / 60Hz Medium
26 50 / 60Hz Long
42 50 / 60Hz Short, Hi-Inrush
44 50 / 60Hz Medium, Hi-Inrush
46 50 / 60Hz Long, Hi-Inrush

7 CURRENT RATING (AMPERES)
CODE AMPERES

410	1.00	435	3.50	480	8.00	712	12.50
512	1.25	440	4.00	485	8.50	613	13.00
415	1.50	445	4.50	490	9.00	614	14.00
517	1.75	450	5.00	495	9.50	615	15.00
420	2.00	455	5.50	610	10.00	616	16.00
522	2.25	460	6.00	710	10.50	617	17.00
425	2.50	465	6.50	611	11.00	618	18.00
527	2.75	470	7.00	711	11.50	619	19.00
430	3.00	475	7.50	612	12.00	620	20.00

8 TERMINAL
1 Push-On .250 Tab (Q.C.)
2 Screw 8-32 with upturned lugs
3 Screw 8-32 (Bus Type)
4 Screw 10-32 with upturned lugs
5 Screw 10-32 (Bus Type)
6 Screw 8-32 with upturned lugs and 30° Bend
7 Screw 8-32 (Bus Type) and 30° Bend
8 Screw 10-32 with upturned lugs and 30° Bend
9 Screw 10-32 (Bus Type) and 30° Bend
B Screw M5 with upturned lugs
C Screw M4 with upturned lugs
F Screw M5 with upturned lugs and 30° Bend
G Screw M5 (Bus Type) and 30° Bend
H Screw M5 (Bus Type)
J Screw M5 Back Connect
K Screw 10-32 Back Connect
L Screw 10-32 Back Connect, Alt. Spacing ³
M Screw M5 Back Connect, Alt. Spacing ³
N Screw M4 Back Connect
P Screw M4 Back Connect, Alt. Spacing ³
R Screw 8-32 Back Connect, Alt. Spacing ³
Y Screw 8-32 Back Connect

9 ACTUATOR COLOR & LEGEND ⁴

Actuator or Visi-Color	Marking:		Marking Color:	
	ON-OFF	Dual	Single Color	Visi-Rocker
White	B	1	Black	White
Black	D	2	White	n/a
Red	G	3	White	Red
Green	J	4	White	Green
Blue	L	5	White	Blue
Yellow	N	6	Black	Yellow
Gray	Q	7	Black	Gray
Orange	S	8	Black	Orange

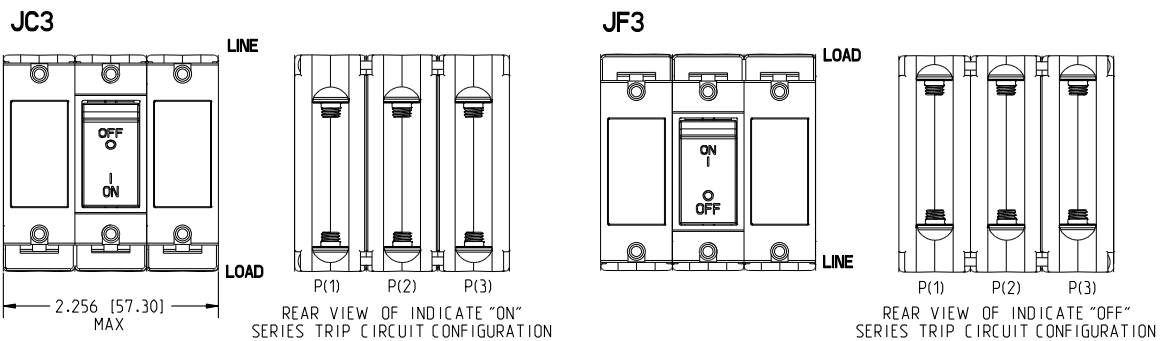
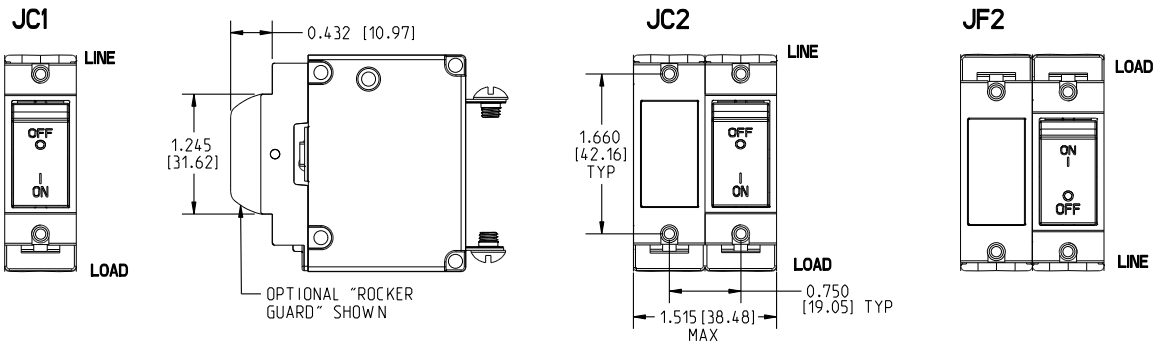
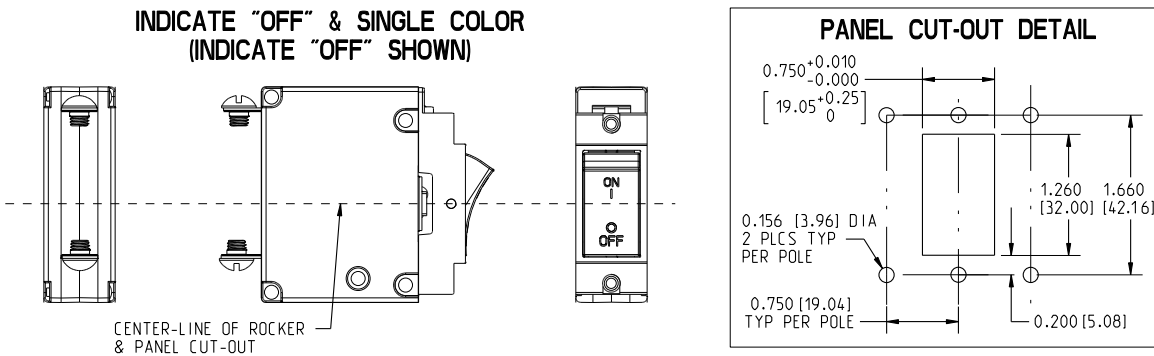
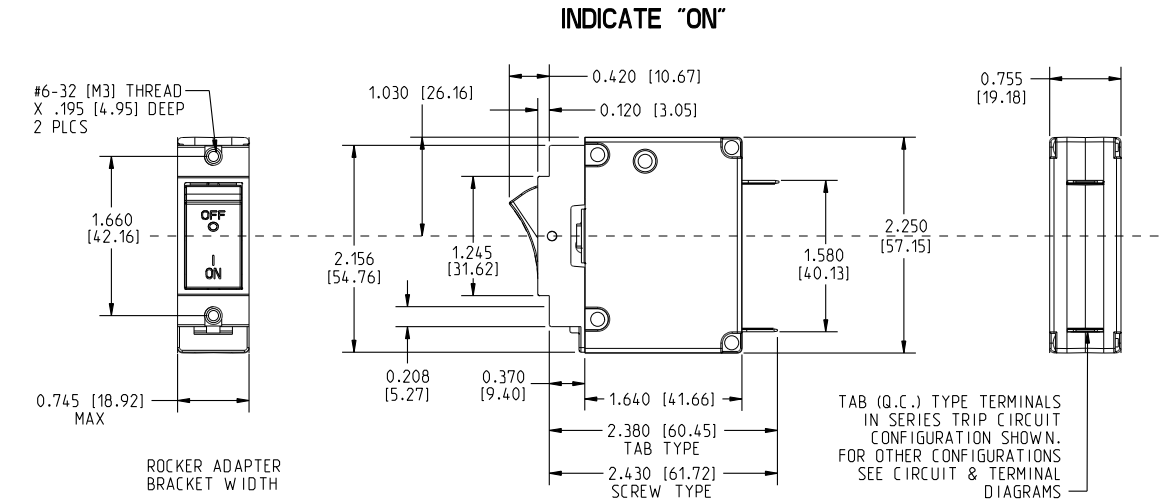
10 MOUNTING ⁵
Standard Rocker Bezel
A 6-32 x .195 inches **1** 6-32 x .195 inches
B ISO M3 x 5 mm **2** ISO M3 x 5 mm
Rockerguard (Curved Rocker) / Push-to-Reset (Flat Rocker) Bezel
C 6-32 x .195 inches **3** 6-32 x .195 inches
D ISO M3 x 5 mm **4** ISO M3 x 5 mm
Recessed Off (Flat Rocker)
E 6-32 x .195 inches **5** 6-32 x .195 inches
F ISO M3 x 5 mm **6** ISO M3 x 5 mm

11 APPLICATION RATING
C 120 / 240 VAC ⁶
D 240 VAC

12 AGENCY APPROVAL
A Without Approvals
G UL489 Listed, cULus Listed
3 UL489 Listed, cULus Listed, TUV Certified

Notes:
1 3 Pole Units available when 1 of 3 poles is neutral.
2 20 Delay available only with no agency approvals.
3 Refer to dimensional specifications for alternate back connect terminal spacing dimension.
4 TUV Approval requires Dual (I-O, ON-OFF) markings.
5 For codes A through F, rocker to be on Pole 1 for multi pole breakers with behind the panel standoff bracket on pole 2. For codes 1 through 6, rocker to be on pole 2 for multipole breakers with behind the panel standoff bracket on Pole 1. For 1 & 3 pole breakers use codes A-F.
6 Voltage Rating available with 2 and 3 pole breakers only.

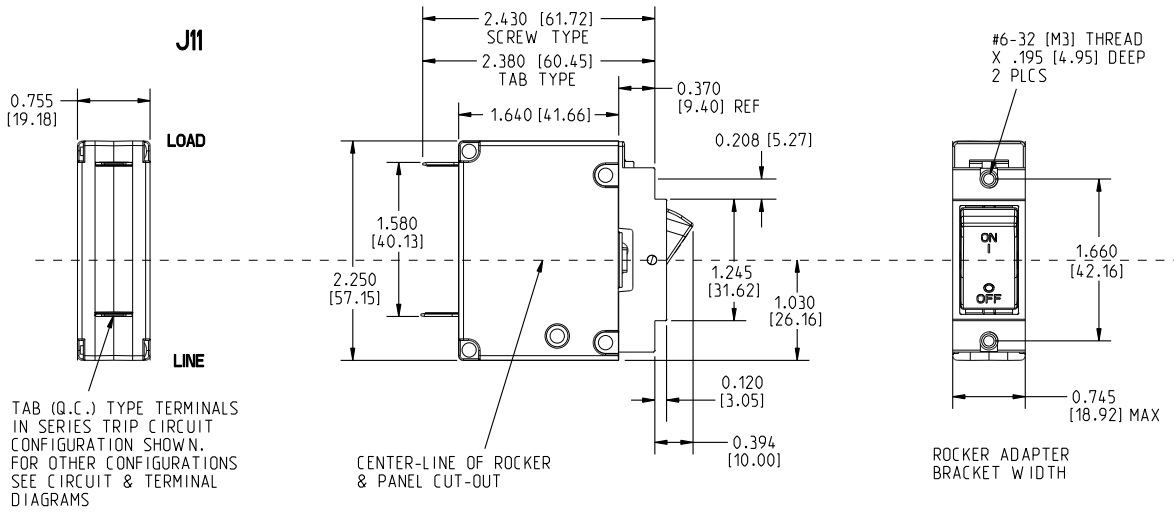
Dimensional Specifications: in. [mm]



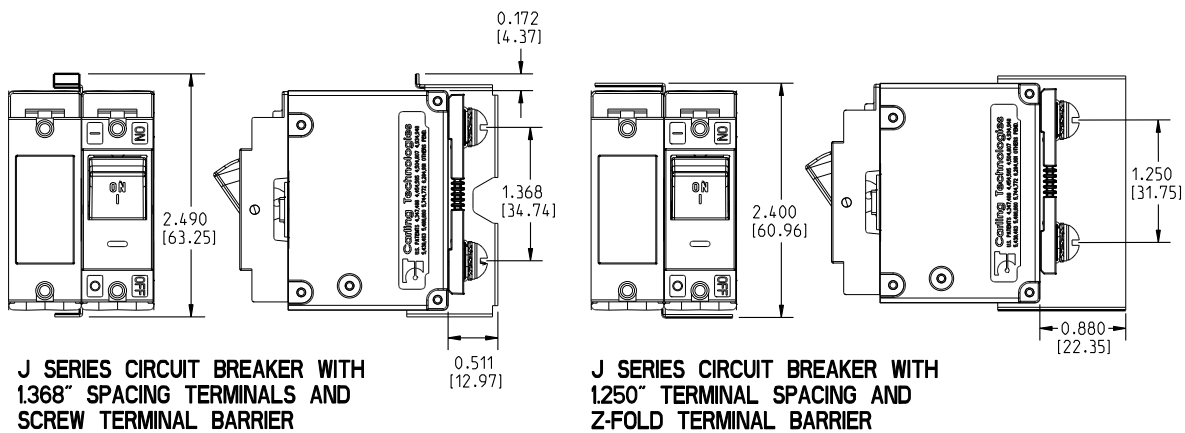
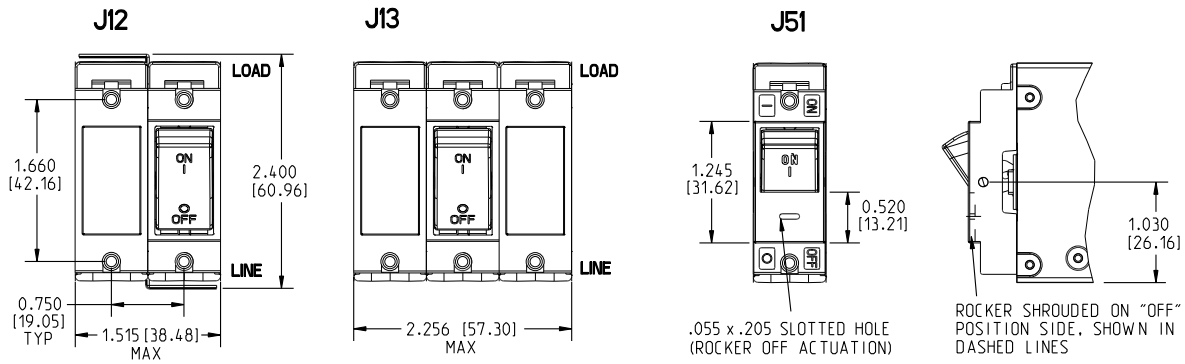
Notes:
1 All dimensions are in inches [millimeters].
2 Tolerance ± 0.020 [.51] unless otherwise specified.

Dimensional Specifications: in. [mm]

INDICATE "OFF" & SINGLE COLOR (INDICATE "OFF" SHOWN)



PUSH-TO-RESET ACTUATOR



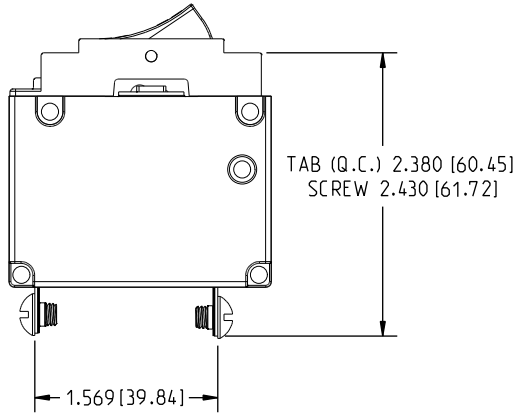
Notes:

- 1 All dimensions are in inches [millimeters].
- 2 Tolerance ± 0.020 [.51] unless otherwise specified.

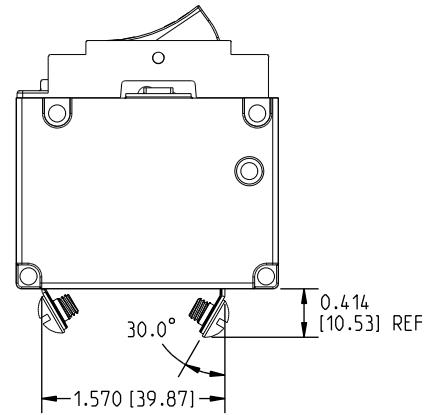
Dimensional Specifications: in. [mm]

TERMINAL SPACING

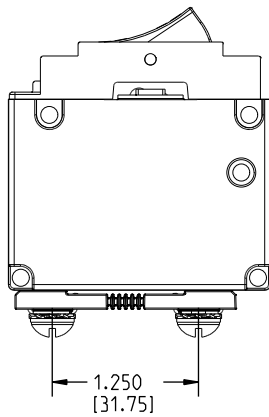
SCREW TERMINAL & PUSH-IN Q.C. TAB



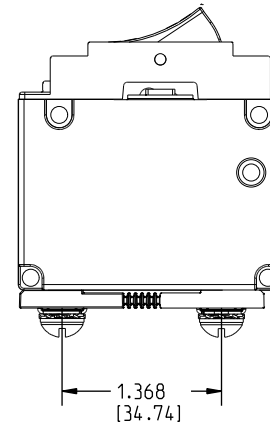
SCREW TERMINAL WITH 30° BEND



BACK CONNECT SCREW TERMINAL WITH RETAINER



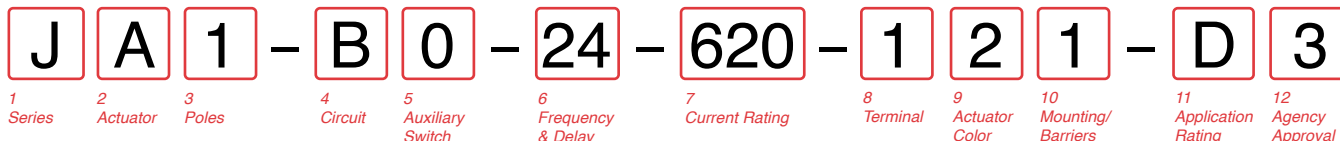
BACK CONNECT SCREW TERMINAL WITH RETAINER - ALTERNATIVE SPACING



THREAD SIZE	TORQUE
#6-32 & M3 MOUNTING HARWARE	7-9 IN-LBS [0.8-1.0 NM]
#8-32 & M4 THREAD TERMINAL SCREW	12-15 IN-LBS [1.4-1.7 NM]
#10-32 & M5 THREAD TERMINAL SCREW	15-20 IN-LBS [1.7-2.3 NM]

Notes:

- 1 All dimensions are in inches [millimeters].
- 2 Tolerance ± 0.020 [.51] unless otherwise specified.



1 SERIES
J J-Series Circuit Breaker

2 ACTUATOR
A Handle, one per pole
B Handle, one per multi-pole unit ¹

3 POLES
1 One
2 Two
3 Three

4 CIRCUIT
B Series Trip (Current)

5 AUXILIARY SWITCH
0 without Aux Switch

6 FREQUENCY & TIME DELAY
21 50 / 60Hz Ultra Short
22 50 / 60Hz Short
24 50 / 60Hz Medium
26 50 / 60Hz Long
42 50 / 60Hz Short, Hi-Inrush
44 50 / 60Hz Medium, Hi-Inrush
46 50 / 60Hz Long, Hi-Inrush

7 CURRENT RATING (AMPERES)

CODE	AMPERES	CODE	AMPERES	CODE	AMPERES	CODE	AMPERES
410	1.00	435	3.50	480	8.00	712	12.50
512	1.25	440	4.00	485	8.50	613	13.00
415	1.50	445	4.50	490	9.00	614	14.00
517	1.75	450	5.00	495	9.50	615	15.00
420	2.00	455	5.50	610	10.00	616	16.00
522	2.25	460	6.00	710	10.50	617	17.00
425	2.50	465	6.50	611	11.00	618	18.00
527	2.75	470	7.00	711	11.50	619	19.00
430	3.00	475	7.50	612	12.00	620	20.00

8 TERMINAL

- 1** Push-On .250 Tab (Q.C.)
- 2** Screw 8-32 with upturned lugs
- 3** Screw 8-32 (Bus Type)
- 4** Screw 10-32 with upturned lugs
- 5** Screw 10-32 (Bus Type)
- 6** Screw 8-32 with upturned lugs and 30° Bend
- 7** Screw 8-32 (Bus Type) and 30° Bend
- 8** Screw 10-32 with upturned lugs and 30° Bend
- 9** Screw 10-32 (Bus Type) and 30° Bend
- B** Screw M5 with upturned lugs
- C** Screw M4 with upturned lugs
- F** Screw M5 with upturned lugs and 30° Bend
- G** Screw M5 (Bus Type) and 30° Bend
- H** Screw M5 (Bus Type)
- J** Screw M5 Back Connect
- K** Screw 10-32 Back Connect
- L** Screw 10-32 Back Connect, Alt. Spacing ²
- M** Screw M5 Back Connect, Alt. Spacing ²
- N** Screw M4 Back Connect
- P** Screw M4 Back Connect, Alt. Spacing ²
- R** Screw 8-32 Back Connect, Alt. Spacing ²
- Y** Screw 8-32 Back Connect

9 ACTUATOR COLOR & LEGEND ⁴

Handle Color	ON-OFF	Dual	Legend Color
White	B	1	Black
Black	D	2	White
Red	G	3	White
Yellow	N	6	Black
Black (Short Handle) ³	U	9	White

10 MOUNTING / BARRIERS ⁵

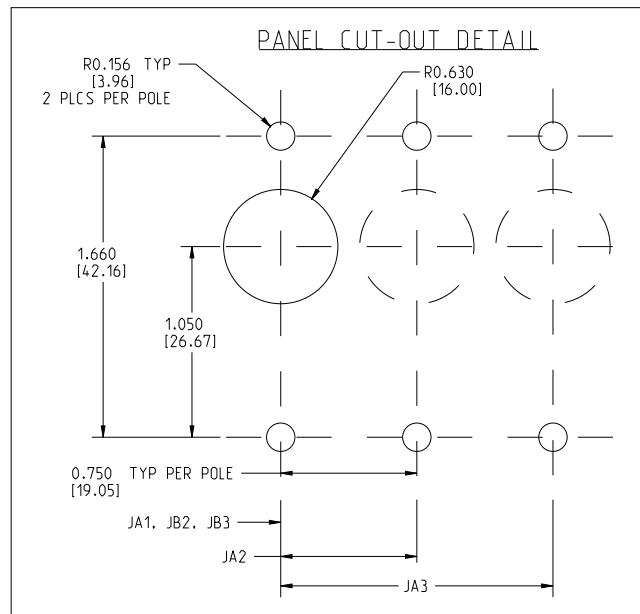
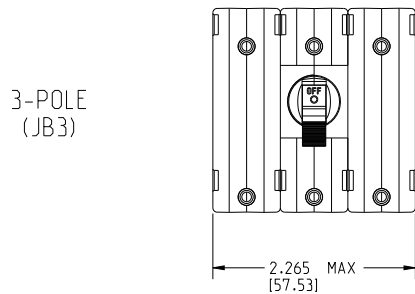
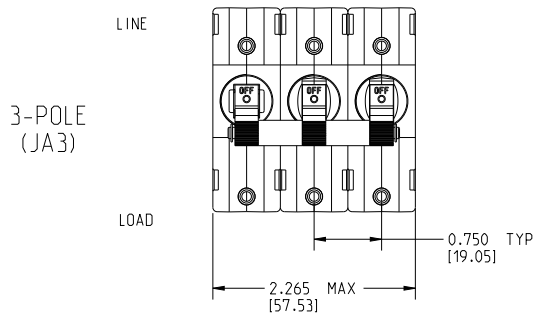
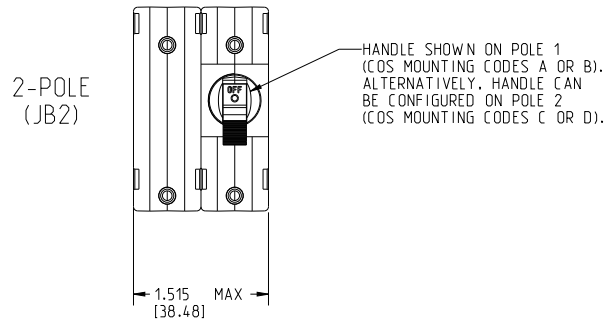
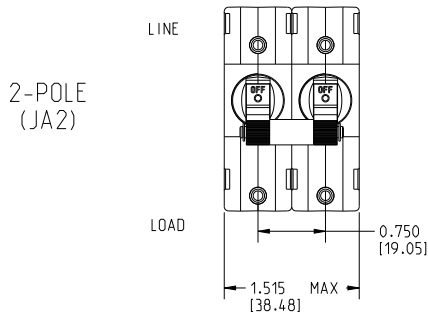
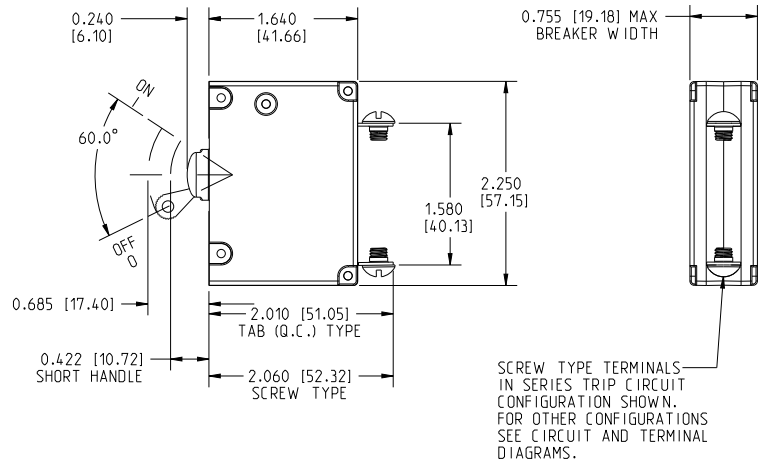
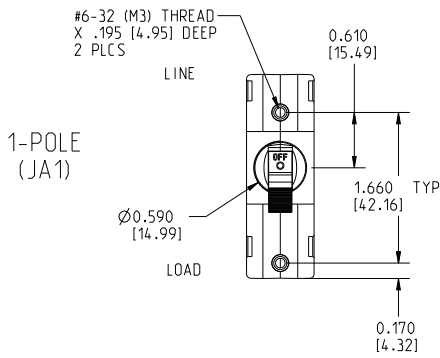
	Barriers
1 6-32 x .195 inches threaded inserts	No
A 6-32 x .196 inches threaded inserts	Yes
2 ISO M3 x 5 mm threaded inserts	No
B ISO M3 x 6 mm threaded inserts	Yes
C 6-32 x .195 inches threaded inserts	Yes
D ISO M3 x 6 mm threaded inserts	Yes

11 APPLICATION RATING
C 120 / 240 VAC (2 and 3 pole only)
D 240 VAC (1 and 2 pole only)

12 AGENCY APPROVAL
A Without Approvals
G UL489 Listed, cULus Listed
3 UL489 Listed, cULus Listed, TUV Certified

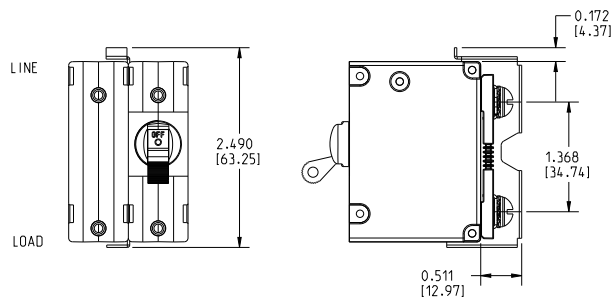
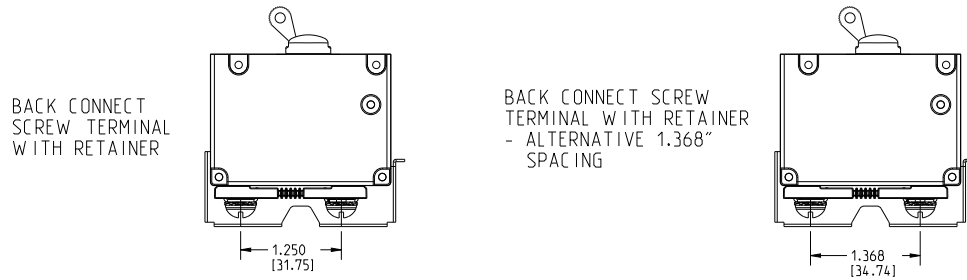
Notes:
¹ Actuator code B (multi-pole only): Handle location as viewed from front of breaker with mounting/barrier code A or B:
 2 pole - right pole 3 pole - center pole
² Refer to dimensional specifications for alternate back connect terminal spacing dimension.
³ Single pole only
⁴ ON-OFF markings only available with agency code G. TUV approval requires dual markings
⁵ Codes 1 and 2 are only available for single pole breaker options
 Codes C and D are only available for 2 pole breakers with actuator code B:
 Handle location on left pole as viewed from front of breaker

Dimensional Specifications: in. [mm]

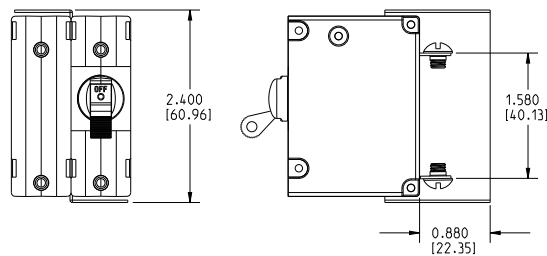


- Notes:
- 1 All dimensions are in inches [millimeters].
 - 2 Tolerance ± 0.020 [.51] unless otherwise specified.

Dimensional Specifications: in. [mm]



J SERIES CIRCUIT BREAKER WITH
1.368" TERMINAL SPACING AND
SCREW TERMINAL BARRIER



J SERIES CIRCUIT BREAKER WITH
1.250" TERMINAL SPACING AND
Z-FOLD TERMINAL BARRIER

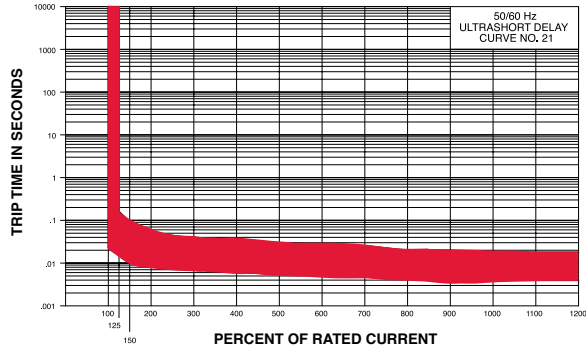
Notes:

- 1 All dimensions are in inches [millimeters].
- 2 Tolerance ± 0.020 [.51] unless otherwise specified.

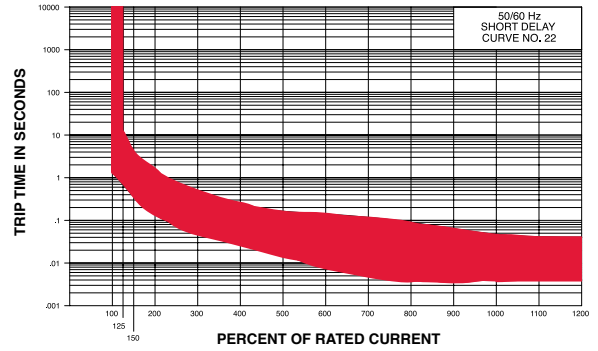
Trip Time Delays

AC

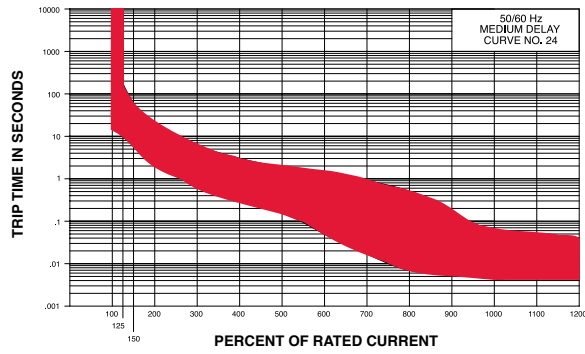
Ultrashort



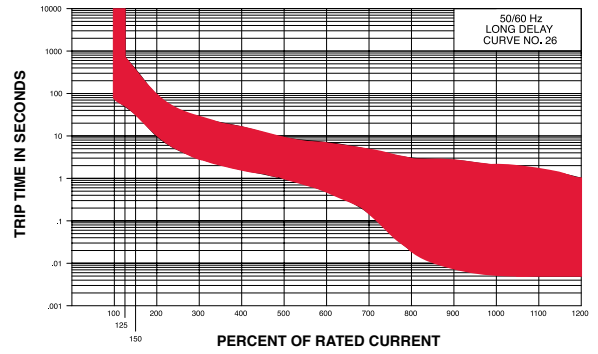
Short



Medium

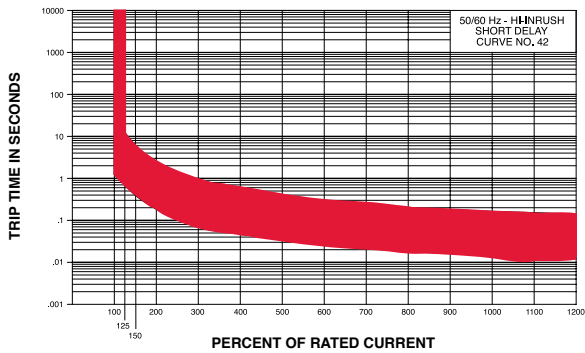


Long

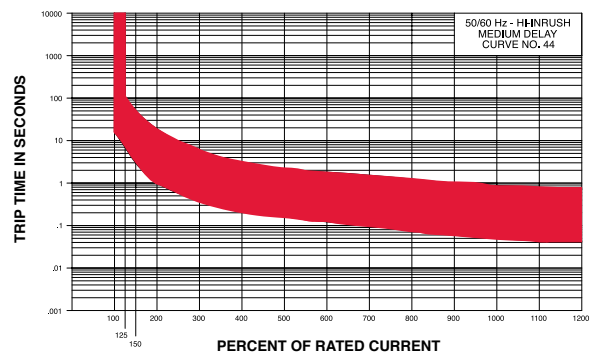


High Inrush AC

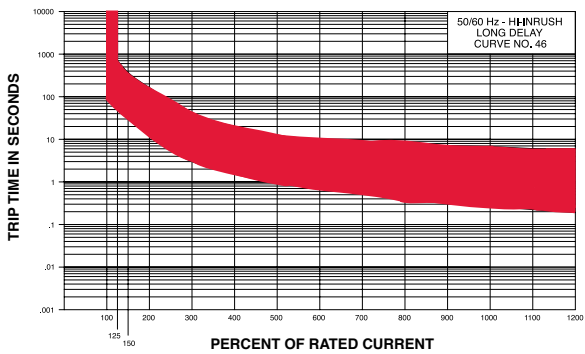
Short



Medium



Long



Authorized Sales Representatives and Distributors

Click on a region of the map below to find your local representatives and distributors or visit www.carlingtech.com/findarep.



About Carling

Founded in 1920, Carling Technologies is a leading manufacturer of electrical and electronic switches and assemblies, circuit breakers, electronic controls, power distribution units, and multiplexed power distribution systems. With four ISO9001 and IATF16949 registered manufacturing facilities and technical sales offices worldwide, Carling Technologies Sales, Service and Engineering teams do much more than manufacture electrical components, they engineer powerful solutions! To learn more about Carling please visit www.carlingtech.com/company-profile.

To view all of Carling's environmental, quality, health & safety certifications please visit www.carlingtech.com/environmental-certifications

Worldwide Headquarters

Carling Technologies, Inc.
60 Johnson Avenue, Plainville, CT 06062
Phone: 860.793.9281 **Fax:** 860.793.9231
Email: sales@carlingtech.com

Northern Region Sales Office: nrsm@carlingtech.com
Southeast Region Sales Office: sersm@carlingtech.com
Midwest Region Sales Office: mrsm@carlingtech.com
West Region Sales Office: wrsm@carlingtech.com
Latin America Sales Office: larsm@carlingtech.com

Asia-Pacific Headquarters

Carling Technologies, Asia-Pacific Ltd.,
Suite 1607, 16/F Tower 2, The Gateway,
Harbour City, 25 Canton Road,
Tsimshatsui, Kowloon, Hong Kong
Phone: Int + 852-2737-2277 **Fax:** Int + 852-2736-9332
Email: sales@carlingtech.com.hk

Shenzhen, China: shenzhen@carlingtech.com
Shanghai, China: shanghai@carlingtech.com
Pune, India: india@carlingtech.com
Kaohsiung, Taiwan: taiwan@carlingtech.com
Yokohama, Japan: japan@carlingtech.com

Europe | Middle East | Africa Headquarters

Carling Technologies LTD
4 Airport Business Park, Exeter Airport,
Clyst Honiton, Exeter, Devon, EX5 2UL, UK
Phone: Int + 44 1392.364422 **Fax:** Int + 44 1392.364477
Email: ltd.sales@carlingtech.com

Germany: gmbh@carlingtech.com
France: sas@carlingtech.com



Carling Technologies®

Innovative Designs. Powerful Solutions.

Mouser Electronics

Authorized Distributor

Click to View Pricing, Inventory, Delivery & Lifecycle Information:

[Carling Technologies:](#)

[J61-B0-24-620-K3C-D3](#) [J52-B0-42-620-J4C-D3](#)