

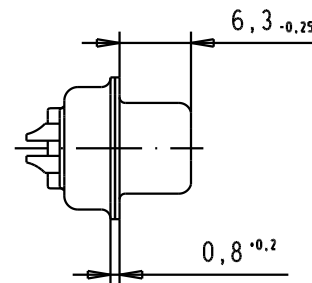
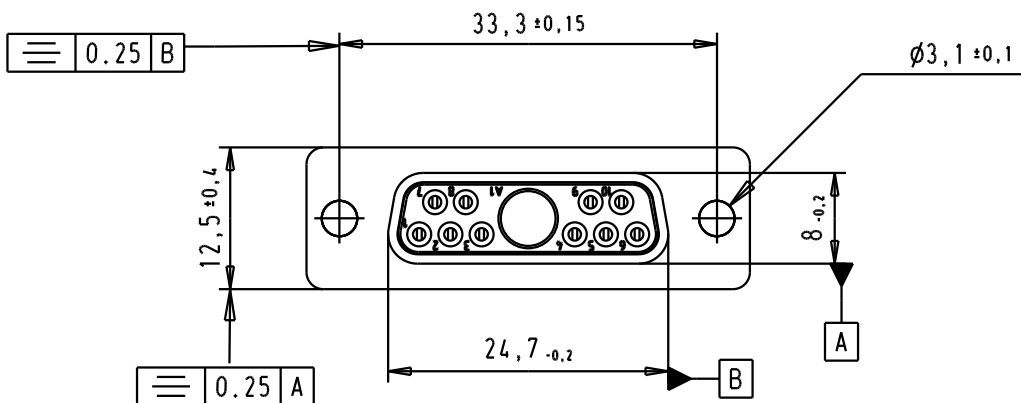
5

4

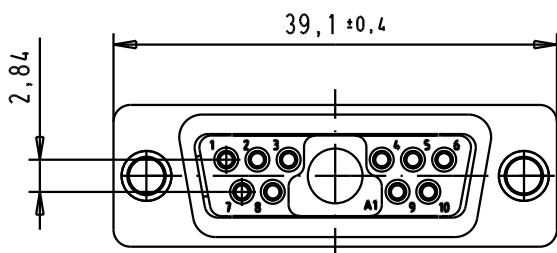
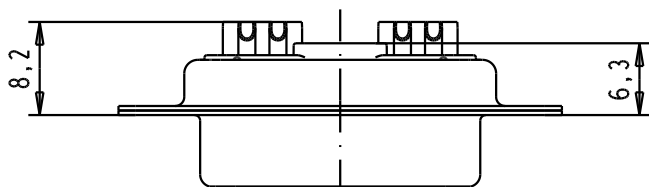
3

2

1



Solder buckets for AWG 20 Max



D

C

B

A

09 69 201 7111	PL3
09 69 201 5111	S4
part number	performance level

33257	08/11/05	JMDR
Mod.	Dat.	Name

	Dat.	Name
Detail.	08/11/05	JMDR
Insp.		
Stand.		
HARTING EURL F-95972 Paris		

All Dim. in mm
Orig. Size DIN A 4

D-Sub, female, straight, 11w1, solder buckets, tin plated shell with holes
TB 09 69 201 x111
Sub.

Maßstab/ Scale
1,5:1
Blatt / Page
1 / 1

Mouser Electronics

Authorized Distributor

Click to View Pricing, Inventory, Delivery & Lifecycle Information:

[HARTING:](#)

[09692015111](#) [09692017111](#)