

Datasheet

RS PRO INDUCTIVE PROXIMITY SENSORS

Stock No: 2066179





Detailed technical data

Features

| | |
|--------------------------|----------------------------------|
| Housing | Rectangular |
| Housing | Standard design |
| Dimensions (W x H x D) | 40 mm x 40 mm x 118 mm |
| Sensing range S_n | 20 mm |
| Safe sensing range S_a | 16.2 mm |
| Installation type | Flush |
| Switching frequency | 150 Hz |
| Connection type | Cable gland |
| Switching output | PNP |
| Output function | NO |
| Electrical wiring | DC 3-wire |
| Enclosure rating | IP67, IP68, IP69K |
| Special applications | Difficult application conditions |

Mechanics/electronics

| | |
|--------------------------------|---------------------|
| Supply voltage | 10 V DC ... 30 V DC |
| Ripple | $\leq 10 V_{pp}$ 1) |
| Voltage drop | $\leq 2 V$ |
| Current consumption | 20 mA 2) |
| Time delay before availability | $\leq 50 ms$ |
| Hysteresis | 3 % ... 15 % 3) |
| Reproducibility | $\leq 2 \%$ |
| Temperature drift (of S_r) | $\pm 10 \%$ |
| Continuous current I_a | $\leq 200 mA$ |
| Cable gland clamping area | M20 1.5 |
| Wire size | $\leq 2.5 mm^2$ |

| | |
|--------------------------------|----------------------------------|
| Short-circuit protection | ✓ |
| Reverse polarity protection | ✓ |
| Power-up pulse protection | ✓ |
| Shock and vibration resistance | 30 g, 11 ms / 10 ... 55 Hz, 1 mm |
| Ambient operating temperature | -25 °C ... +85 °C |
| Ambient storage temperature | -40 °C ... +85 °C |
| Housing material | Plastic, PA 66 |
| Sensing face material | Plastic, PA 66 |
| Tightening torque, max. | 1.8 Nm |
| Protection class | II 4) |
| UL File No. | E348498 |

1) Of Ub.

2) Without load.

3) Of S_r.

4) Reference voltage: 50 V DC.

Safety-related parameters

| | |
|-------------------|-------------|
| MTTF _D | 1,406 years |
| DC _{avg} | 0% |

Reduction factors

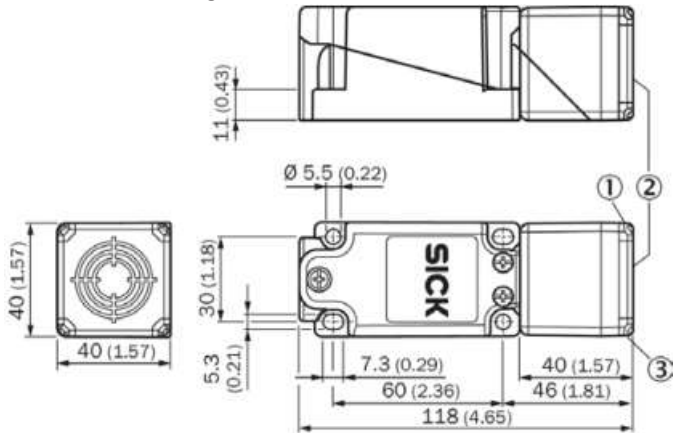
| | |
|----------------------------|--|
| Note | The values are reference values which may vary |
| Stainless steel (V2A, 304) | Approx. 0.71 |
| Aluminum (Al) | Approx. 0.3 |
| Copper (Cu) | Approx. 0.25 |
| Brass (Br) | Approx. 0.36 |

Installation note

| | |
|--------|---------------------------------------|
| Remark | Associated graphic see "Installation" |
| A | 0 mm |
| B | 40 mm |
| C | 40 mm |
| D | 60 mm |
| E | 0 mm |
| F | 70 mm |

Dimensional drawing (Dimensions in mm (inch))

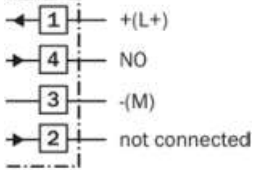
IQG Standard, cable gland



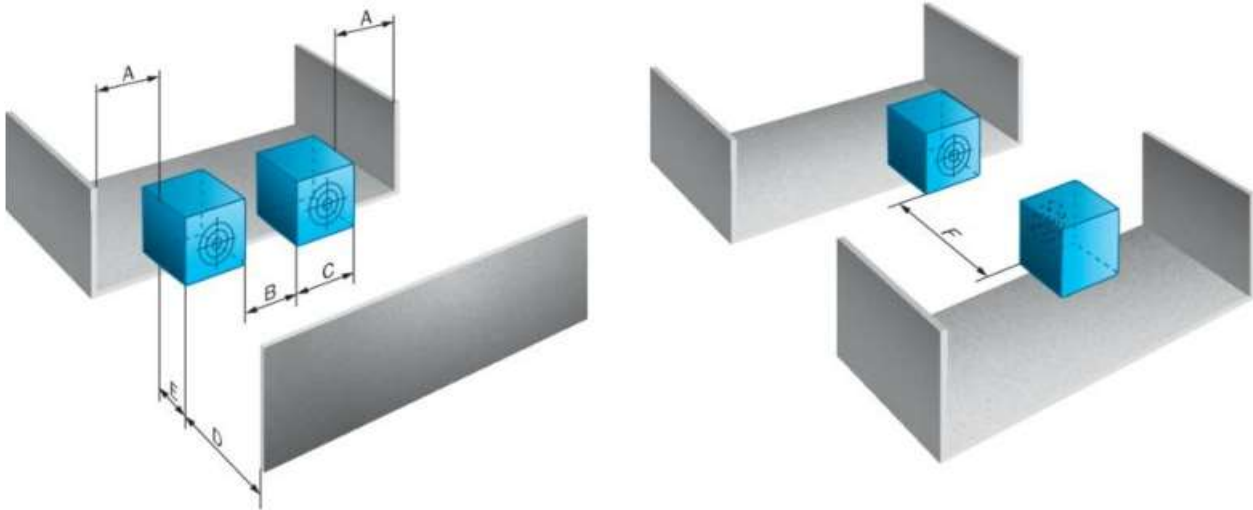
- 1 LED output state, yellow
- 2 Sensing face
- 3 Operational status LED, green

Connection diagram

Cd-342



Instruction for installation



Operating reserve

