

Datasheet

RS PRO INDUCTIVE PROXIMITY SENSORS

Stock No: 2066172





Detailed technical data

Features

Housing	Rectangular
Dimensions (W x H x D)	10 mm x 28 mm x 16 mm
Sensing range S_n	3 mm
Safe sensing range S_a	2.43 mm
Installation type	Flush
Switching frequency	2,000 Hz
Connection type	Cable, 3-wire, 2 m
Switching output	PNP
Output function	NO
Electrical wiring	DC 3-wire
Enclosure rating	IP68 ¹⁾

¹⁾ According to EN 60529.

Mechanics/electronics

Supply voltage	10 V DC ... 30 V DC
Ripple	$\leq 10\%$ ¹⁾
Voltage drop	$\leq 2\text{ V}$ ²⁾
Current consumption	10 mA ³⁾
Time delay before availability	$\leq 100\text{ ms}$
Hysteresis	5 % ... 15 %
Reproducibility	$\leq 2\%$ ⁴⁾
Temperature drift (of S_r)	$\pm 10\%$
EMC	According to EN 60947-5-2
Continuous current I_a	$\leq 200\text{ mA}$

Cable material	PVC
Conductor size	0.25 mm ²
Cable diameter	∅ 3.7 mm
Short-circuit protection	✓
Reverse polarity protection	✓
Power-up pulse protection	✓
Shock and vibration resistance	30 g, 11 ms / 10 ... 55 Hz, 1 mm
Ambient operating temperature	-25 °C ... +75 °C
Housing material	Plastic, VISTAL®
Sensing face material	Plastic, VISTAL®
Tightening torque, max.	≤ 1 Nm

1) Of V s.

2) At I a max.

3) Without load.

4) Ub and Ta constant.

Reduction factors

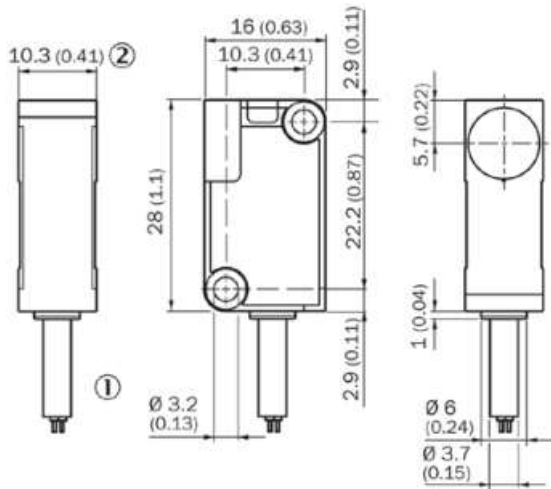
Note	The values are reference values which may vary
Stainless steel (V2A, 304)	0.7
Aluminum (Al)	0.4
Copper (Cu)	0.3
Brass (Br)	0.5

Installation note

Remark	Associated graphic see "Installation"
A	0 mm
B	10 mm
C	10.3 mm
D	9 mm
E	0 mm
F	24 mm
G	0 mm

Dimensional drawing (Dimensions in mm (inch))

IQ10, cable

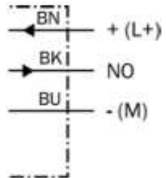


1 Connection

2 LED indicator 270°

Connection diagram

Cd-001



Instruction for installation

