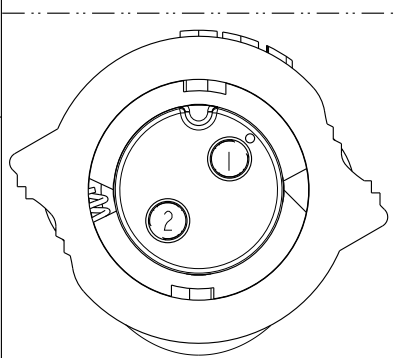
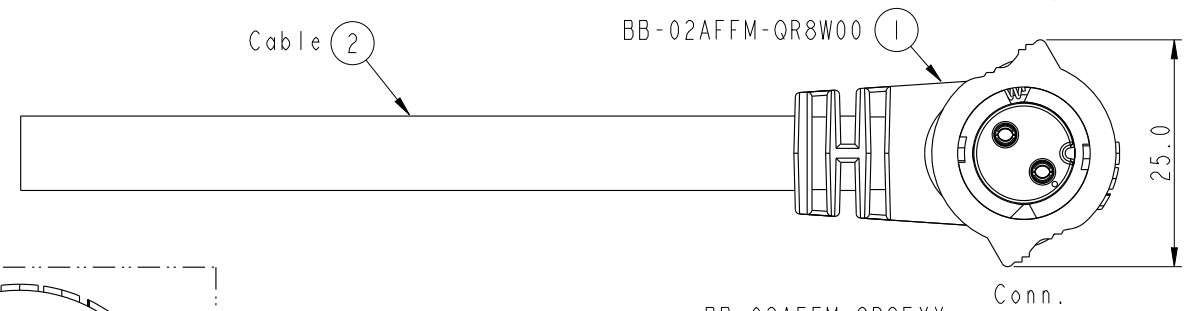
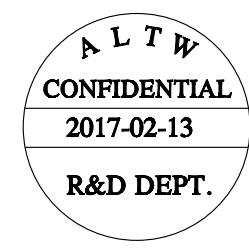
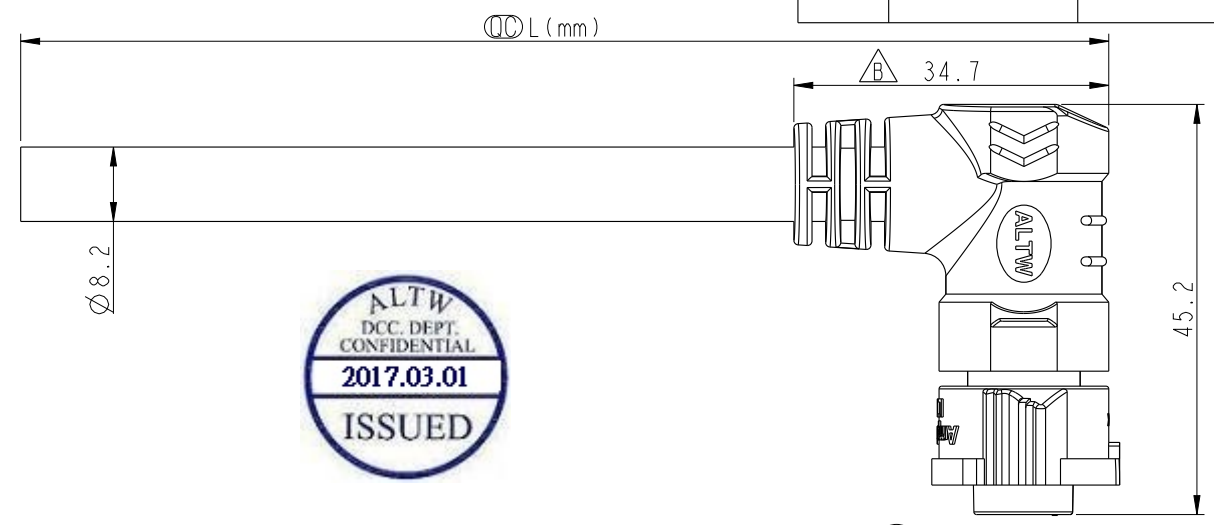


THIS DOCUMENT IS SUBJECT TO CHANGE WITHOUT NOTICE. IT IS CONFIDENTIAL AND A PROPERTY OF AMPHENOL LTW. DISCLOSURE TO THIRD PARTY HAS TO BE AUTHORIZED BY AMPHENOL LTW.

REV.	ECN NO.	DATE	SIGN	DESCRIPTION
B	LEN1720197	2017-02-13	Frank Deng	Change dimension from 34.0 to 34.7



Pin Assignments
Front View

2	White	白
1	Black	黑
Conn.	Wire Color	
	Pin Out	

- Note:
- * \varnothing Important Dimension To Check.
 - * Waterproof Rate: IP68(Mated)
 - * Working Voltage Rating: AC 300 V
 - * Working Current Rating: 10A
 - * Flame Class: UL94V-0 (UV Resistance)
 - * Housing: Nylon+GF, Black.
 - * Female Pin: Copper Alloy, Gold Plated.
 - * Rubber: Silicon, Gray
 - * Cable: SJTW 16AWG*2C + Filler
PVC Jacket UV Resistant, OD=8.2, Black.
 - * Cable Length Tolerance: 01M:±40mm
02M~05M:±60mm
06M~10M:±100mm
11M~30M:±200mm
31M~99M:±500mm

- BB-02AFFM-QR8EXX
- XX : 01~99Meters
 - 01 : 01Meter
 - 02 : 02Meters
 - ...
 - 99 : 99Meters

UNIT:mm

TOLERANCE .X ±0.5

TITLE X-Lok B-Size (Power) Molding F Conn F 2 Pin

SCALE 6:5 SIZE A4 SHEET 1 OF 1

REV. B WC-REV. A.1 \varnothing : Inspection item

Amphenol LTW
安費諾亮泰企業股份有限公司

ITEM NO	DRAWN BY	DATE
	Frank Deng	2017-02-13
DWG NO	CHECKED BY	DATE
BB-02AFFM-QR8EXX	Spring Liu	2017-02-13
CUSTOMER	APPROVED BY	DATE
ALTW	Kevin Hu	2017-02-13