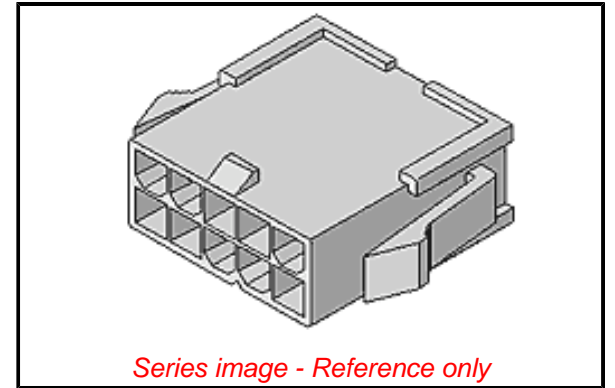


**PLEASE CHECK WWW.MOLEX.COM FOR LATEST PART INFORMATION**

**Part Number:** [0039012201](#)  
**Status:** **Active**  
**Overview:** [Mini-Fit Jr. Power Connectors](#)  
**Description:** Mini-Fit Jr. Plug Housing, Dual Row, 20 Circuits, UL 94V-2, with Panel Mounting Ears, Natural

**Documents:**

<a href="#">3D Model</a>	<a href="#">Application Specification AS-5557-001-001 (PDF)</a>
<a href="#">Drawing (PDF)</a>	<a href="#">Packaging Specification PK-5559-001-001 (PDF)</a>
<a href="#">Product Specification PS-45750-001-001 (PDF)</a>	<a href="#">RoHS Certificate of Compliance (PDF)</a>
<a href="#">Product Specification PS-5556-001-001 (PDF)</a>	



**Agency Certification**

CSA	LR19980
UL	E29179

**General**

Product Family	Crimp Housings
Series	<a href="#">5559</a>
Application	Power, Wire-to-Board, Wire-to-Wire
Comments	Current = 13A max. per circuit when header is mated to a receptacle loaded with <a href="#">45750</a> series terminals crimped to 16 AWG wire. . See Molex product specification PS-45750-001 for additional current derating information.
Comments	Current = 13A max. per circuit when header is mated to a receptacle loaded with <a href="#">45750</a> series terminals crimped to 16 AWG wire. . See Molex product specification PS-45750-001 for additional current derating information.

**Overview**

Product Name	<a href="#">Mini-Fit Jr. Power Connectors</a>
UPC	Mini-Fit Jr. 800753627932

**Physical**

Breakaway	No
Circuits (maximum)	20
Color - Resin	Natural
Flammability	94V-2
Gender	Plug
Glow-Wire Capable	No
Material - Resin	Nylon
Net Weight	5794.700/mg
Number of Rows	2
Packaging Type	Bag
Panel Mount	Yes
Pitch - Mating Interface	4.20mm
Pitch - Termination Interface	4.20mm
Polarized to Mating Part	Yes
Stackable	No
Temperature Range - Operating	-40° to +105°C

**Electrical**

Current - Maximum per Contact	13.0A
-------------------------------	-------

**Material Info**

Engineering Number	5559-20P
--------------------	----------

**EU ELV**

**Not Relevant**

**EU RoHS**

**Compliant**

**REACH SVHC**

Not Contained Per - ED/71/2019 (16 July 2019)

**Halogen-Free**

**Status**

**Low-Halogen**

For more information, please visit [Contact US](#)

China ROHS

ELV

RoHS Phthalates

**China RoHS**

Green Image

Not Relevant

Not Contained

**Search Parts in this Series**

[5559](#) Series

**Mates With**

Dual Row Receptacle Housing [5557](#)

**Use With**

[5558](#) , [30490](#) Male Terminal, [46012](#) Mini-Fit Plus Crimp Terminal

**Reference - Drawing Numbers**

Application Specification

AS-5557-001-001

Packaging Specification

PK-5559-001-001

Product Specification

PS-45750-001-001, PS-5556-001-001

Sales Drawing

SD-5559-NP-000

This document was generated on 08/19/2019

**PLEASE CHECK [WWW.MOLEX.COM](http://WWW.MOLEX.COM) FOR LATEST PART INFORMATION**