

PLEASE CHECK WWW.MOLEX.COM FOR LATEST PART INFORMATION

Part Number: [0015311032](#)
Status: **Active**
Description: 4.80mm Pitch Wire-to-Wire Receptacle Housing, 3 Circuits

Documents:

3D Model	Product Specification PS-5025-003 (PDF)
Drawing (PDF)	Packaging Specification SPK-5025-001 (PDF)
Product Specification PS-5025-001 (PDF)	RoHS Certificate of Compliance (PDF)
Product Specification PS-5025-002 (PDF)	

Agency Certification

CSA	LR19980
UL	E29179

General

Product Family	Crimp Housings
Series	5025
Application	Power, Wire-to-Wire
Product Name	N/A
UPC	800753622111

Physical

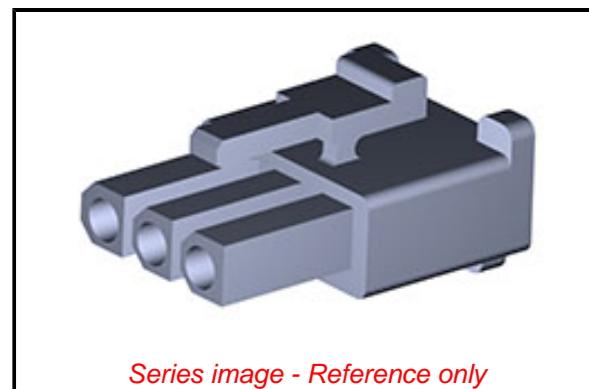
Circuits (maximum)	3
Flammability	94V-2
Gender	Receptacle
Glow-Wire Capable	No
Net Weight	1550.800/mg
Number of Rows	1
Packaging Type	Bag
Panel Mount	No
Pitch - Mating Interface	4.80mm
Pitch - Termination Interface	4.80mm
Polarized to Mating Part	Yes
Ports	1
Stackable	No
Temperature Range - Operating	-40° to +105°C

Material Info

Engineering Number	5025-03R1
--------------------	-----------

Reference - Drawing Numbers

Packaging Specification	SPK-5025-001
Product Specification	PS-5025-001, PS-5025-002, PS-5025-003
Sales Drawing	SD-5025-03R1



Series image - Reference only

EU ELV

Not Relevant

EU RoHS

Compliant

REACH SVHC

Not Contained Per
-ED/88/2018 (15
January 2019)

Halogen-Free

Status

Low-Halogen

For more information, please visit [Contact US](#)

China ROHS

ELV

RoHS Phthalates

China RoHS

Green Image

Not Relevant

Not Contained

Search Parts in this Series

[5025 Series](#)

Mates With

[15311031](#) , [15311033 Plug](#)

Use With

[5005](#)