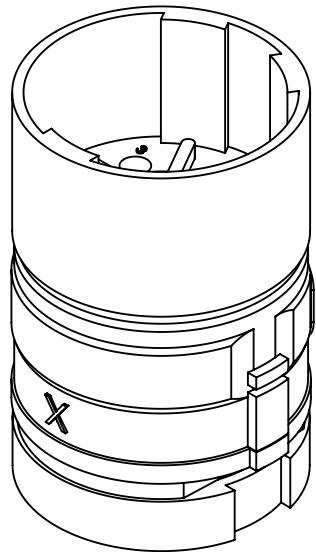
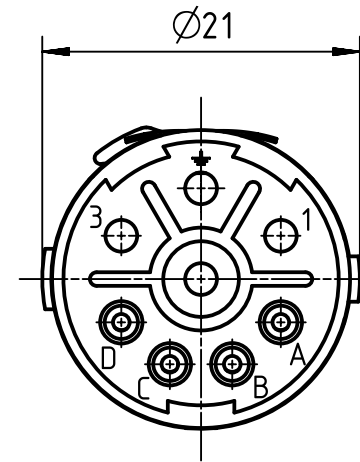
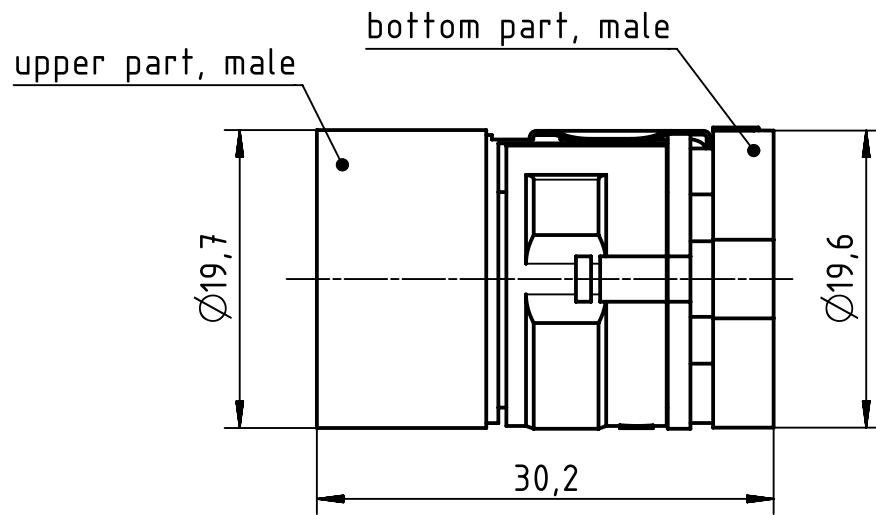


1 2 3 4 5 6

A
B
C
D



	All Dimensions in mm Original Size DIN A4		Scale 2:1	Free size tol.		Ref.		
						Sub.		
	All rights reserved		Created by DYCKC	Inspected by GRUBES	Standardisation TIEMANNA	Date 2019-07-19	State Final Release	
	Department EL PD		Title M23 P 4+3+PE Male -C				Doc-Key / ECM-Nr. 100737236/UGD/000/C 500000155114	
HARTING Electric GmbH & Co. KG D-32339 Espelkamp			Type TB	Number 09 15 608 3001			Rev. C	Page 1/1