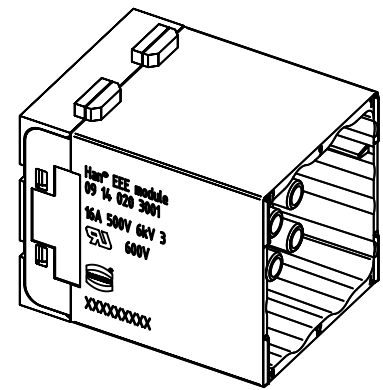
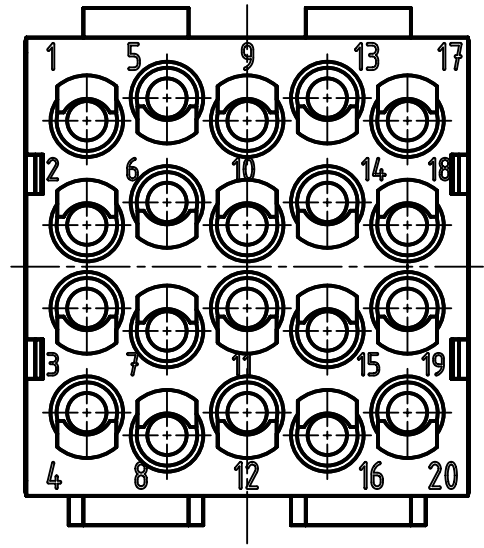
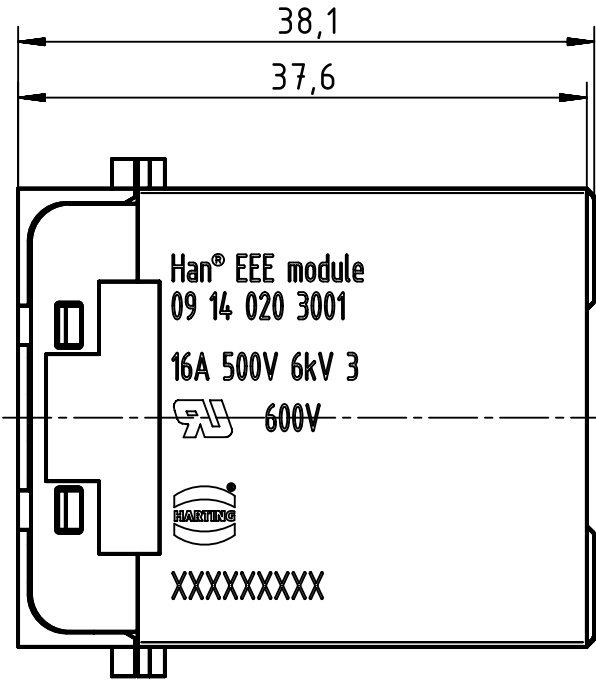
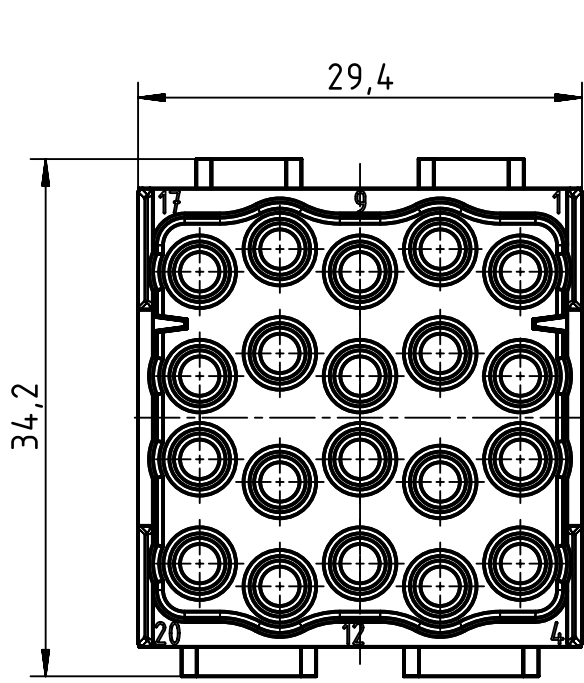


1 2 3 4 5 6

A
B
C
D



	All Dimensions in mm Original Size DIN A4		Scale 2:1	Free size tol.		Ref.	
						Sub.	
	All rights reserved		Created by RULLKOETTER	Inspected by SCHNIEDER	Standardisation TIEMANNA	Date 2016-02-29	State Final Release
	Department EL PD - DE		Title Han EEE module, crimp male			Doc-Key / ECM-Nr. 100133037/UGD/014/A 500000072246	
HARTING Electric GmbH & Co. KG D-32339 Espelkamp			Type TB	Number 09 14 020 3001		Rev. A	Page 1/1