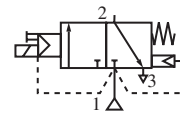


MINI SPOOL VALVES

solenoid air operated
plastic body
individual mounting or joinable subbase
G1/8 tapped body or 6 mm O.D instant fittings

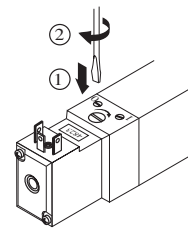
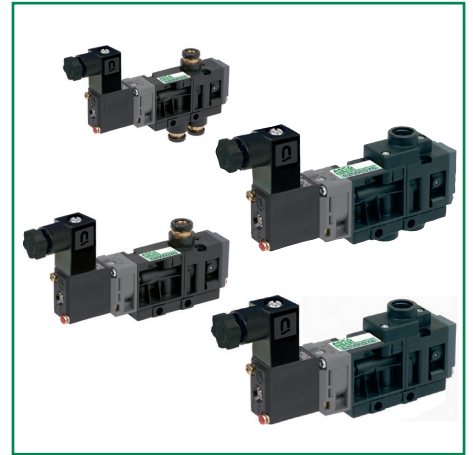


GENERAL

Fluid	Air or neutral gaz, filtered, lubricated or not
Operating pressure	1,5 to 8 bar
Ambient temperature	+5°C to +50°C
Flow (Qv at 6 bar)	400 l/min (ANR) - Kv : 5,7
Response time	energized 15 ms de-energized 45 ms
Connection	Instant fittings Ø 6 O.D. or G 1/4 subbases
Mounting	individual or joinable subbases

CONSTRUCTION

SPOOL VALVES	
Body	POM (polyacetal)
Cover	POM (polyacetal)
Internal parts	POM (polyacetal) and brass
Seals	NBR (nitrile)
Manual operator	Maintained, impulse Latchable in hold position (push-turn)
PILOT	
Seals	NBR (nitrile)
Electrical equipment	Conforming to NF C79300 standard
Coil and iron circuit	Encapsulated



ELECTRICAL CHARACTERISTICS

voltages		consumption	insulation class	protection degree	electrical connection
~	24V, 115V, 230V - 50/60Hz	2 VA (1,5 W)	F	IP 65	spade plug size 15 connector, DIN 43650, 9,4 mm, industry standard B, rotatable by 90°
=	24V	1,6 W			

SPECIFICATIONS

function symbol	operators solenoid air operated pilot (14) return (12)	connection		catalogue number			
		port 2	ports 1-3	24V ~	115V ~	230V ~	24V =
	differential return	instant fitting 6 mm O.D.	inst. fitting 6mm O.D.	52000214	52000215	52000216	52000213
			subbase mounted	52000210	52000211	52000212	52000209
		tapped G 1/8	tapped G 1/8	52000194	52000195	52000196	52000193
			subbase mounted	52000190	52000191	52000192	52000189


3/2 NO version (operating pressure 2,5 to 8 bar) : on request

ACCESSORIES

visual indicator (LED) and electrical protection ()	24V =/~	88130401
	115V ~	88130402
	230V ~	88130403
connector size 15 with cable, 2 m long		88143567
connector size 15 with built-in visual indication and protection, with cable outlet, 2 m long ()	24V =/~	88143580

SUBBASES

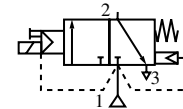
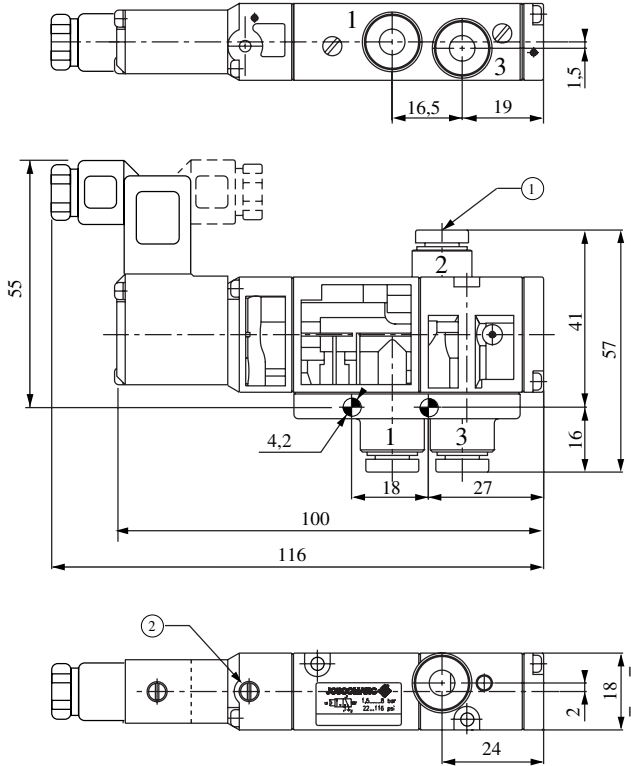
possible mounting on joinable subbases. Fixing screws and seals are supplied with subbases

DIMENSIONS (mm), WEIGHT (kg) 

Individual mounting version

Connection with instant fitting

Weight : 0,102

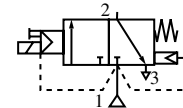
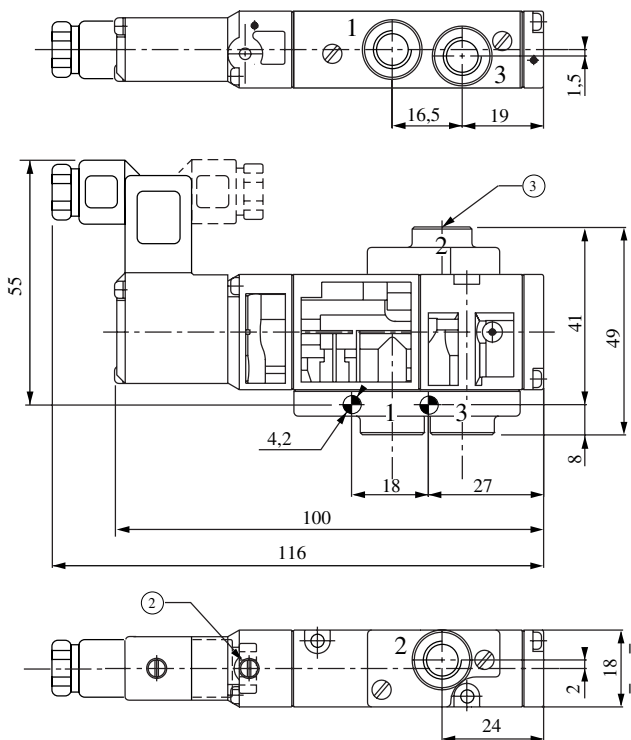


1 = Pressure
2 = Outlet
3 = Exhaust

- ① 3 instant fittings Ø6 mm O. D. tube
- ② Manual operator


Tapped G 1/8 connection

Weight : 0,094



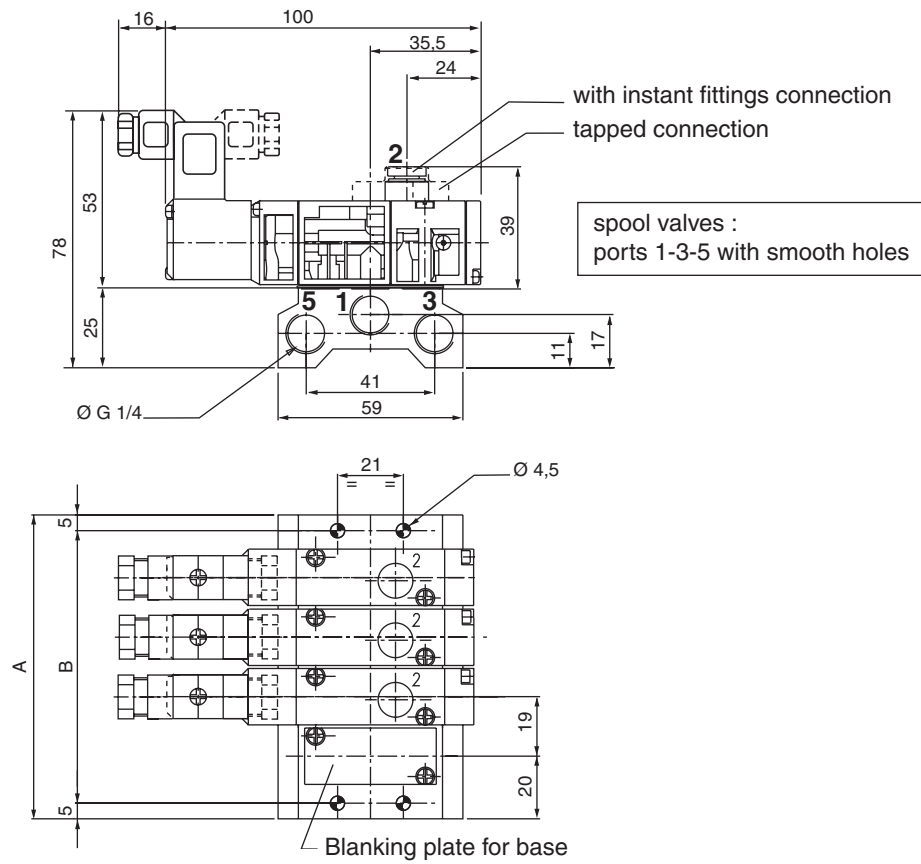
1 = Pressure
2 = Outlet
3 = Exhaust

- ② Manual operator
- ③ 3 x ports tapped G 1/8

DIMENSIONS (mm), WEIGHT (kg) 

Subbase mounted version

Weight, valve only : 0,086



number of spool valves	A	B	weight*
2	59	49	0,145
3	78	68	0,195
4	97	87	0,240
5	116	106	0,290
6	135	125	0,340
7	154	144	0,385
8	173	163	0,435
9	192	182	0,485
10	211	201	0,530

* subbases only