

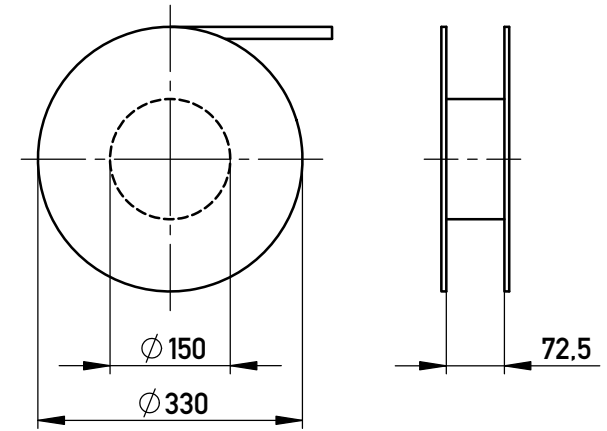
Verpackt in Gurtverpackung - *Tape on Reel Packaging*  
 Verpackungseinheit: 280 Stück - *Packaging unit: 280 pcs*

Anforderungsstufe 1  
*Performance Level 1*

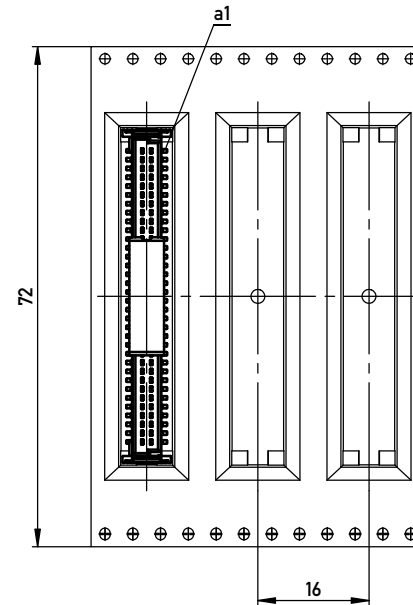
Kontaktbereich vergoldet  
*Mating Area gold plating*

Anschlussbereich verzinkt 4-6 µm  
*Terminal Area 4-6 µm tin plating*

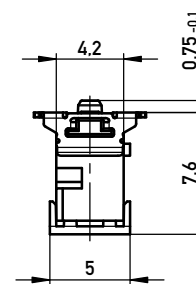
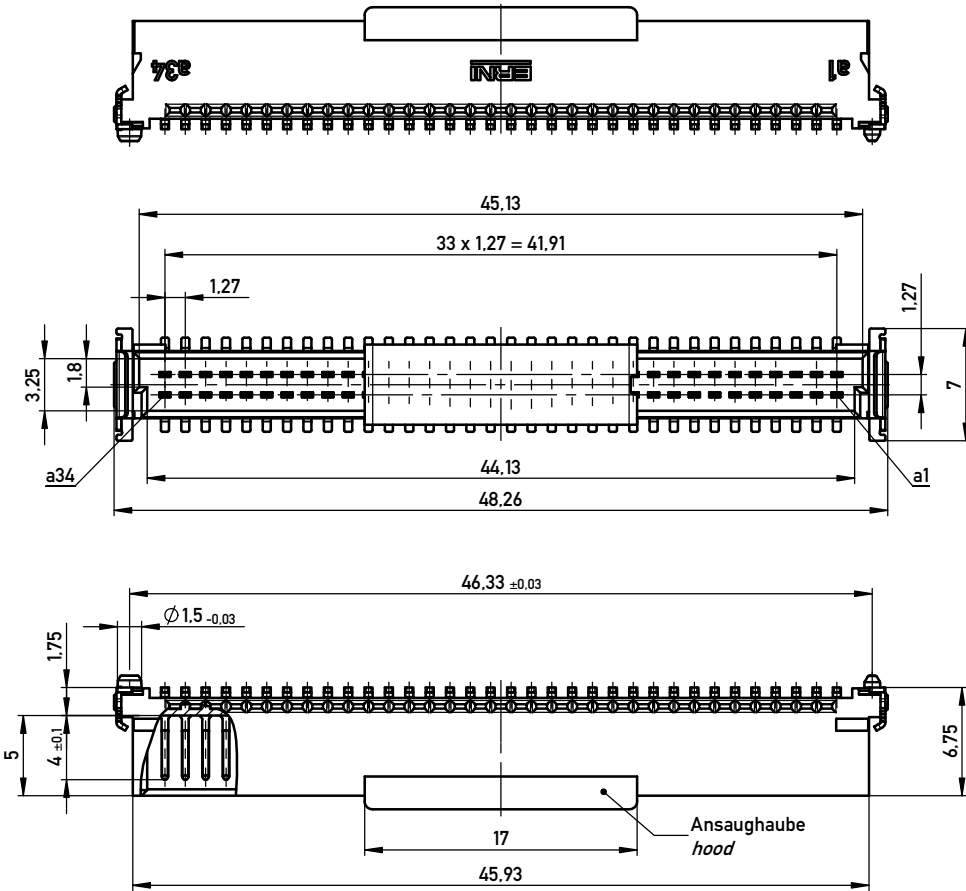
Koplanarität der Anschlüsse ≤ 0,1 mm  
*Coplanarity Area of Termination ≤ 0,1 mm*



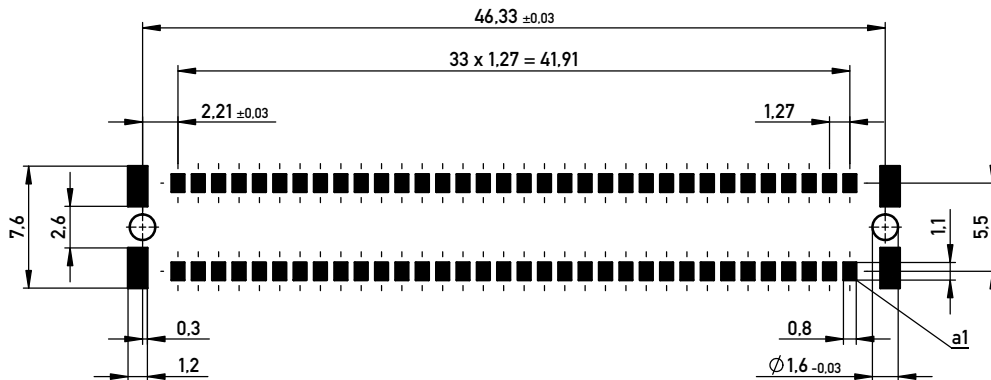
Abspulrichtung - *Reel off Direction* →



BA 8-13 - 8mm Bauhöhe  
*type 8-13 - Low Profile*



Leiterplatten-Layout Vorschlag für SMT  
*PCB-Layout Proposal for SMT*



Copyright by ERNI GmbH  
 Proprietary notice pursuant to ISO 16016 to be observed.

Information:		Tolerances	Scale 3:1
All rights reserved. Only for Information. To ensure that this is the latest version of this drawing, please contact one of the ERNI companies before using.		 All Dimensions in mm	Designation
		Subject to modification without prior notice. Drawing will not be updated.	<b>Messrl. SMC-Q 68-SMD-BA8-13</b> <i>Male SMC-Q 68-SMD-type8-13</i>
		www.ERNI.com	<b>244839</b>
b	21.10.2010		
Index	Date		
		Class	SMCQ
		I A3	