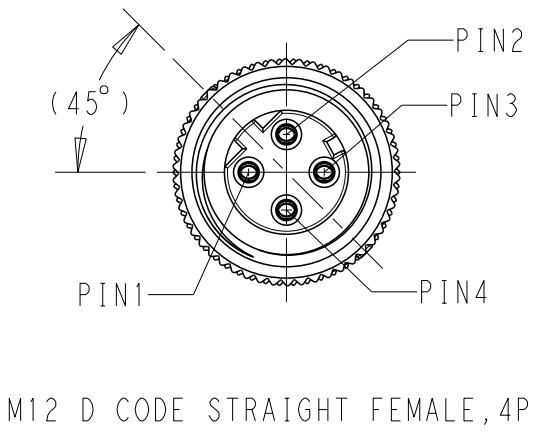
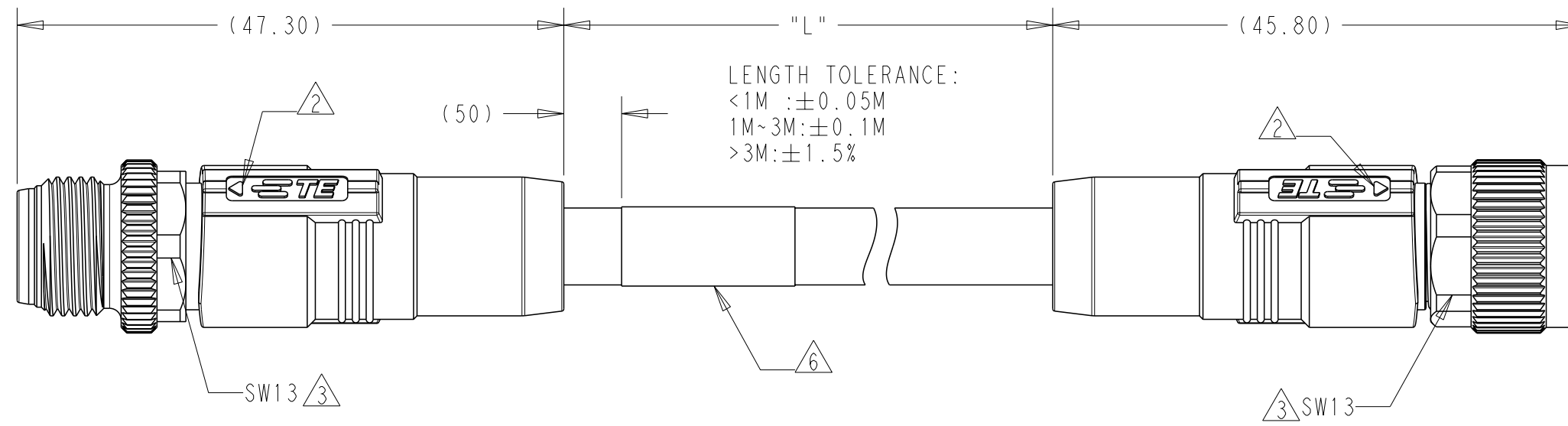
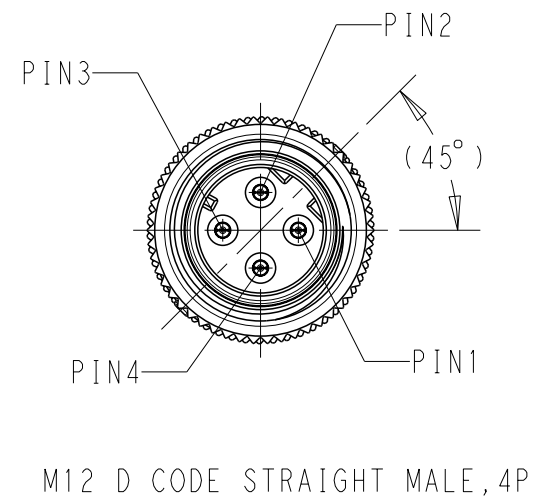
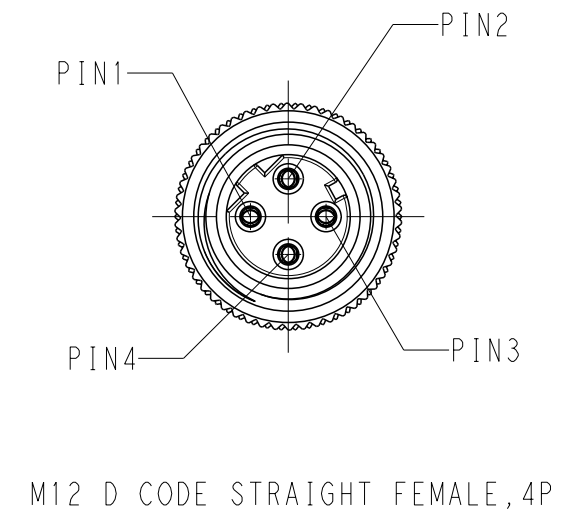
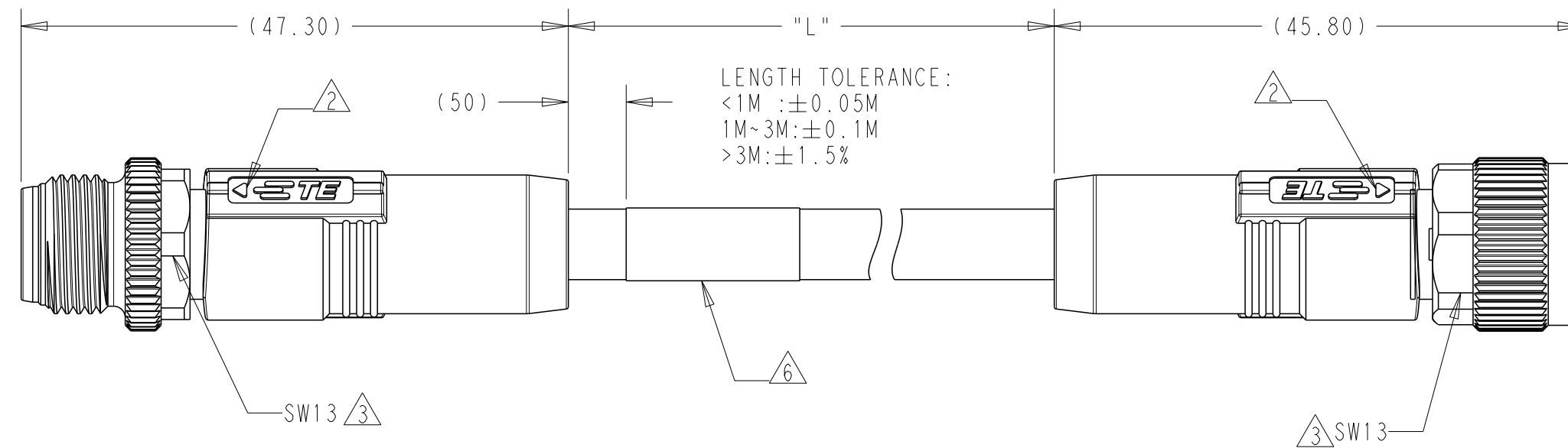
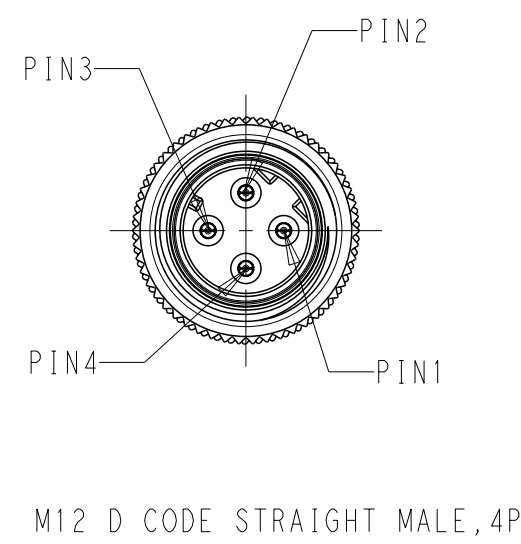


REVISIONS					
P	LTR	DESCRIPTION	DATE	DWN	APVD
A		INITIAL VERSION RELEASE	22SEP2020	F.Y	C.W
A1		PER ECR-21-001399	08FEB2021	F.Y	C.W



TADI4545101-XXX  
 TADI4541111-XXX  
 TADI453A201-XXX



TAD2453A201-XXX

NOTE:

1. TECHNICAL DATA: SEE TABLE 1
- ②. CODE POSITION INDICATOR.
- ③. RECOMMENDED TORQUE 0.6NM
- ④. -\*\* : CABLE LENGTH, FOR EXAMPLE: -0.5M
5. CABLE ASSEMBLY TO BE PACKAGED AS PACKAGING SPECIFICATION
- ⑥ LABEL CONTAINS: PN, DATE CODE...
- ① -XXX: FOR CABLE LENGTH, SEE TABLE 2 AND REFER TO LENGTH "L"

注释:

1. 技术参数: 参考表 1
- ②. CODE位置指示
- ③. 推荐扭力 0.6NM
- ④. -\*\* : 线缆长度 例如: -0.5M
5. 线缆组件按照包装规范包装;
- ⑥. 标签包含: 产品编号, 日期代码...
- ① -XXX: 线缆长度, 参考表2, 参照长度"L".

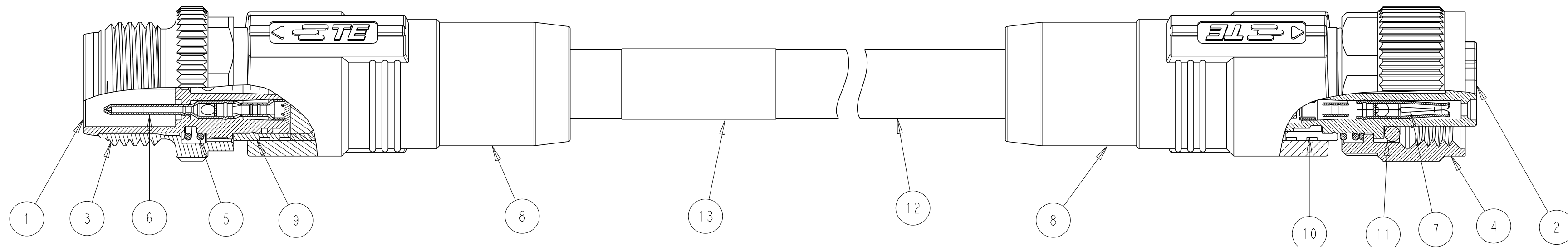
THIS DRAWING IS A CONTROLLED DOCUMENT.		DWN	22SEP2020	TE Connectivity	
		CHK	22SEP2020		
		APVD	22SEP2020	NAME M12 D CODE CABLE ASSY, 4P SHIELDED/UNSHIELDED MS TO FS	
		PRODUCT SPEC	108-106140		
		APPLICATION SPEC	114-137144	SIZE CAGE CODE DRAWING NO A2 00779 C-TADX45XXXX1XXX	
		MATERIAL	-		
		FINISH	-	RESTRICTED TO -	
		CUSTOMER DRAWING		SCALE	2:1
				SHEET	1 OF 3
				REV	A1

REVISIONS

P	LTR	DESCRIPTION	DATE	DWN	APVD
		SEE SHEET 1			

INDUSTRIAL ETHERNET CAT5E UNSHIELDED TPE CABLE, TEAL: WIRES: 2PRX24AWG WIRE COLOR: PAIR1-WHITE/ORANGE PAIR2-WHITE/GREEN OD: APPROX. 6.10MM TEMPERATURE RATING: 80°C UL OPERATING TEMP RATING: -40°C To +80°C		M12D4-MS-FS-TPE-24UNSH-TEAL-**-**4	TAD2453A201-XXX
INDUSTRIAL ETHERNET CAT5E SHIELDED TPE CABLE, TEAL: WIRES: 2PRX24AWG WIRE COLOR: PAIR1-WHITE/ORANGE PAIR2-WHITE/GREEN OD: APPROX. 6.60MM TEMPERATURE RATING: 80°C UL OPERATING TEMP RATING: -40°C To +80°C	LENGTH STANDARD: -001: 0.5M -002: 1.0M -003: 1.5M -004: 3.0M -005: 5.0M -006: 7.0M -007: 10.0M	M12D4-MS-FS-TPE-24SH-TEAL-**-**4	TAD1453A201-XXX
INDUSTRIAL ETHERNET PROFINET TYPE B CAT5E SHIELDED PVC CABLE, GREEN: WIRES: 1X4X22AWG WIRE COLOR: WHITE/YELLOW/BLUE/ORANGE OD: APPROX. 6.5MM TEMPERATURE RATING: 80°C UL OPERATING TEMP RATING: -40°C To +80°C	CUSTOMIZATION: -99X: 0.XM (<1M) (-993: 0.3M) -XXX: XX.XM (>1M) (-155: 15.5M)	M12D4-MS-FS-PVC-22SH-TYPE B GREEN-**-**4	TAD14541111-XXX
INDUSTRIAL ETHERNET PROFINET TYPE C CAT5E SHIELDED PUR CABLE, GREEN: WIRES: 1X4X22AWG WIRE COLOR: WHITE/YELLOW/BLUE/ORANGE OD: APPROX. 6.65MM TEMPERATURE RATING: 80°C UL OPERATING TEMP RATING: -30°C To +70°C	TOLERANCE: 0-1M: ±0.05M 1-3M: ±0.1M >3M: ±1.5%	M12D4-MS-FS-PUR-22SH-TYPE C GREEN-**-**4	TAD14545101-XXX
CABLE CHARACTERISTIC	LENGTH "L"	TYPE	TABLE 2 TE PN

ITEM	DESCRIPTION	QUANTITY	TAD14545101-XXX	TAD14541111-XXX	TAD1453A201-XXX	TAD2453A201-XXX
-	LABEL	13	1	1	1	1
-	PUR/PVC/TPE CABLE	12	1	1	1	1
-	O-RING	11	1	1	1	1
NICKEL PLATED	BRASS FEMALE STRAIGHT SHELL	10	1	1	1	-
NICKEL PLATED	BRASS MALE STRAIGHT SHELL	9	1	1	1	-
BLACK	PVC OVER-MOLDING	8	-	1	-	-
	TPU OVER-MOLDING		1	-	1	1
GOLD PLATED	COPPER ALLOY FEMALE CONTACT	7	4	4	4	4
GOLD PLATED	COPPER ALLOY MALE CONTACT	6	4	4	4	4
-	SUS SPRING	5	2	2	2	1
NICKEL PLATED	BRASS M12 FEMALE NUT	4	1	1	1	1
NICKEL PLATED	BRASS M12, MALE NUT	3	1	1	1	1
-	PA66, 25%GF M12, FEMALE HSG, D CODE, 4P	2	1	1	1	1
-	PA66, 25%GF M12, MALE HSG, D CODE, 4P	1	1	1	1	1



PIN ARRANGEMENT

SHIELDED		UNSHIELDED
TAD14545101-XXX TAD14541111-XXX: USE PUR AND PVC SHIELDED CABLE	TAD1453A201-XXX USE TPE SHIELDED CABLE	TAD2453A201-XXX USE TPE UNSHIELDED CABLE
<p><b>CIRCUIT DIAGRAM</b></p> <p>MALE FEMALE</p>	<p><b>CIRCUIT DIAGRAM</b></p> <p>MALE FEMALE</p>	<p><b>CIRCUIT DIAGRAM</b></p> <p>MALE FEMALE</p>

TABLE 1

TECHNICAL DATA	TAD14545101-XXX TAD14541111-XXX	TAD1453A201-XXX TAD2453A201-XXX
RATED VOLTAGE	250V 30V(UL)	250V 30V(UL)
RATED CURRENT	4A 1.5A(UL)	3A 1.5A(UL)
POLLUTION DEGREE	3	3
OVERVOLTAGE CATEGORY	II	II
MATERIAL GROUP	II	II
INSULATION RESISTANCE	100MΩ	100MΩ
DEGREE OF PROTECTION	IP67	IP67

THIS DRAWING IS A CONTROLLED DOCUMENT.

DIMENSIONS: mm	TOLERANCES UNLESS OTHERWISE SPECIFIED: 0 PLC ± 1 PLC ± 2 PLC ± 3 PLC ± 4 PLC ± ANGLES ± FINISH	DWN: 22SEP2020 FENCER YU CHK: 22SEP2020 CHRIS WANG APVD: 22SEP2020 CHRIS WANG PRODUCT SPEC: 108-106140 APPLICATION SPEC: 114-137144 WEIGHT: - CUSTOMER DRAWING	TE Connectivity NAME: M12 D CODE CABLE ASSY, 4P SHIELDED/UNSHIELDED MS TO FS SIZE: A2 CAGE CODE: 00779 DRAWING NO: TADX45XXXX1XXX RESTRICTED TO: - SCALE: 2:1 SHEET: 2 OF 3 REV: A1
-------------------	---	---	---

REVISIONS

P	LTR	DESCRIPTION	DATE	DWN	APVD
		SEE SHEET 1			

PRODUCT CODE :

T A D X X X X X X X - X X X

No.12-14: CABLE LENGTH:  
 -001~-007:0.5M, 1M, 1.5M, 3M, 5M, 7M, 10M;  
 -99X:0.XM(<1M); -XXX:XX.XM(>1M)

No.11: 1=STANDARD SCREW NUT WITH NICKEL PLATED  
 STAMPED TERMINAL 30u" Au PLATED

No.10: OVERMOLDING:  
 0--BLACK TPU OVER-MOLDING  
 1--BLACK PVC OVER-MOLDING

No.9: CABLE COLOR:  
 1--GREEN RAL6018  
 2--TEAL

No.8: CABLE JECKET:  
 1--PVC-MODERATE FLEXIBLE  
 5--PUR-HIGH-FLEX  
 A--TPE- EXTREME HIGH FLEX

No.7: WIRE GUAGE:3--24 AWG  
 4--22 AWG

No.6: INTERFACE TYPE:  
 5--MALE STRAIGHT TO FEMALE STRAIGHT


No.5: POLES NO.: 4--4 POLES

No.4: APPLICATION TYPE:  
 1--SHIELDING INDUSTRIAL ETHERNET CAT5E  
 2--UNSHIELDING INDUSTRIAL ETHERNET CAT5E

No.3: CODE TYPE: D--D CODE

No.2: A--M12 SERIES

No.1: T--TE BRAND

THIS DRAWING IS A CONTROLLED DOCUMENT.		DWN FENCER YU 22SEP2020	 TE Connectivity	
		CHK CHRIS WANG 22SEP2020		
DIMENSIONS: mm		APVD CHRIS WANG 22SEP2020	NAME M12 D CODE CABLE ASSY, 4P SHIELDED/UNSHIELDED MS TO FS	
TOLERANCES UNLESS OTHERWISE SPECIFIED: 0 PLC ± 1 PLC ± 2 PLC ± 3 PLC ± 4 PLC ± ANGLES ± FINISH		PRODUCT SPEC 108-106140	RESTRICTED TO	
MATERIAL		APPLICATION SPEC 114-137144	SIZE A2	CAGE CODE 00779
		WEIGHT	DRAWING NO G-TADX45XXXX1XXX	
		CUSTOMER DRAWING	SCALE 2:1	SHEET 3 OF 3
			REV A1	

# Mouser Electronics

Authorized Distributor

Click to View Pricing, Inventory, Delivery & Lifecycle Information:

## TE Connectivity:

[TAD1453A201-001](#) [TAD1453A201-002](#) [TAD1453A201-003](#) [TAD1453A201-004](#) [TAD1453A201-005](#) [TAD1453A201-006](#) [TAD1453A201-007](#) [TAD1453A201-020](#) [TAD1453A201-040](#) [TAD14541111-001](#) [TAD14541111-002](#) [TAD14541111-003](#) [TAD14541111-004](#) [TAD14541111-005](#) [TAD14541111-006](#) [TAD14541111-007](#) [TAD14541111-020](#) [TAD14541111-040](#) [TAD14545101-001](#) [TAD14545101-002](#) [TAD14545101-003](#) [TAD14545101-004](#) [TAD14545101-005](#) [TAD14545101-006](#) [TAD14545101-007](#) [TAD14545101-020](#) [TAD14545101-040](#) [TAD2453A201-001](#) [TAD2453A201-002](#) [TAD2453A201-003](#) [TAD2453A201-004](#) [TAD2453A201-005](#) [TAD2453A201-006](#) [TAD2453A201-007](#) [TAD2453A201-020](#) [TAD2453A201-040](#)