

PRODUCT NUMBER

20020010-XXXXXXLF

20020010-



PITCH

- C: 3.50 mm
- D: 3.81 mm
- G: 5.00 mm
- H: 5.08 mm

POLES

- 02: 2 POLES
- 03: 3 POLES
- 04: 4 POLES

PROPERTY TABLE

FCI SERIES NAME	02-350	02-381	02-500	02-508
PITCH (mm)	3.50	3.81	5.00	5.08
VOLTAGE RATING (VAC)	300	300	300	300
CURRENT RATING (A)	cULus	8	12	12
	VDE	10	NA	NA
APPLICABLE WIRE RANGE (AWG)	1-WIRE	16~28	12~24	12~24
	2-WIRE	20	18	18
WIRE CROSS SECTION (mm <sup>2</sup> )	1-WIRE	1.5	2.5	2.5
	2-WIRE	0.5	1.0	1.0
OPENING CONTACT HOUSING(mm <sup>2</sup> )	1-WIRE	1.5	2.5	2.5
	2-WIRE	0.75	1.5	1.5
WIRE STRIP LENGTH(mm)	2.8x1.7	2.8x1.7	2.6x3.3	2.6x3.3
	6~7	6~7	6~7	6~7
TORQUE +/-10% (N-m/Lb-in)	0.19/1.7	0.19/1.7	0.4/3.5	0.4/3.5
	M2x0.4	M2x0.4	M3x0.5	M3x0.5
WITHSTANDING VOLTAGE (kV)	cULus	1.6	1.6	1.6
	VDE	2.5	NA	NA
OPERATING TEMP. (°C)	-40~+115	-40~+115	-40~+115	-40~+115
	02~24	02~24	02~24	02~24
SAFETY CERTIFICATE				

SCREW CODE

CODE	SCREW TYPE	AVAILABILITY
A	-/+	ON REQUEST ONLY
B	-	STANDARD

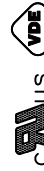
HOUSING CODE

CODE	COLOR	AVAILABILITY
1	GREEN(RAL 6018/7)	STANDARD
2	BLACK	ON REQUEST ONLY
3	GREY(RAL 7004/P)	ON REQUEST ONLY
4	BLUE(RAL 5015/A)	ON REQUEST ONLY

NOTES:

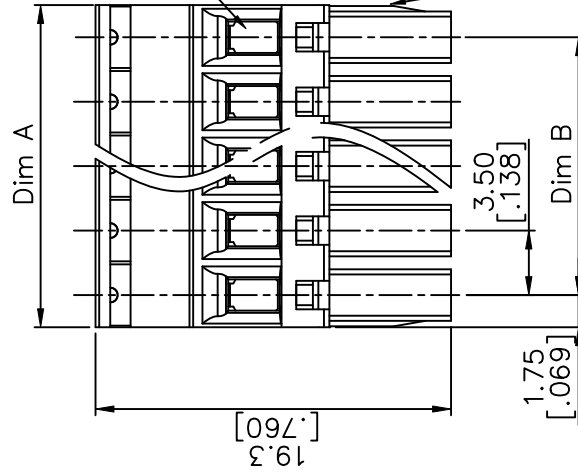
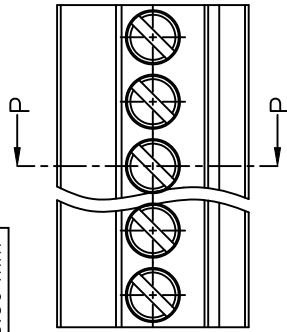
1. MATERIALS
  - 1-1 HOUSING: THERMALPLASTIC RESIN, UL 94V-0 RATED.
  - 1-2 SCREW: STEEL, ZINC PLATED.
  - 1-3 CLAMP: COPPER ALLOY, NICKEL PLATED.
  - 1-4 TERMINAL: COPPER ALLOY, TIN PLATED.
2. PRODUCT SPECIFICATION REFER TO FCI GS-12-625.
3. PRODUCT PACKING SPECIFICATION REFER TO FCI GS-14-1394.
4. FCI, SAFETY CERTIFICATE LOGO AND SERIES NAME TO BE SHOWN ON PRODUCT SURFACE.
5. THE PRODUCTS WHERE THE PART NUMBER END IN "LF" MEET THE EUROPEAN UNION DIRECTIVE AND OTHER COUNTRY REGULATIONS AS DESCRIBED IN GS-22-008.

SAFETY CERTIFICATE



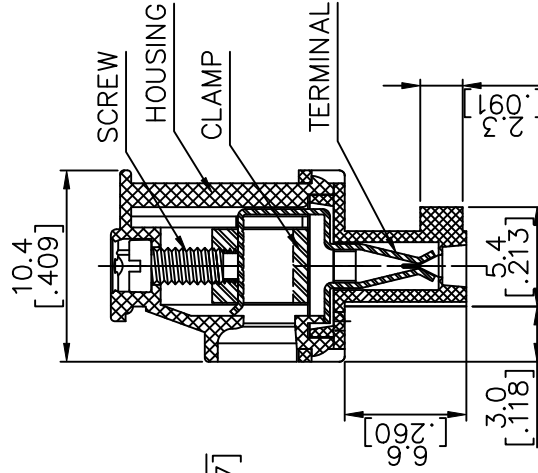
mat'l. code		surface	tolerance	projection	product family	TERMINAL BLOCK
ltr	ecn no	dr	date	ASME Y14.5	ASME Y14.5	title
A	T10-0029	JH	120909	tolerances unless otherwise specified		TERMINAL BLOCK
B	T10-0042	WL	030310	X.X±0.5		PLUGGABLE PLUG, BACK SIDE HOOK
C	T10-0082	WL	080510	X.X±0.3		dwg no
D	T10-0156	WL	100410	X.XX±0.1		sheet 1 of 5
E	T10-0013	WL	040811	dr	JASON HSU	20020010
F	T-005908	WL	091311	engr	JASON HSU	A4
sheet index	revision	F	F	chr	GARY HSIEH	customer Drawing
		1	2	appd	JOSEPH HSIA	
		3	4			
		4	5			

PRODUCT NUMBER	SERIES NAME	PITCH
20020010-CXXXXXLF	02-350	3.50 mm



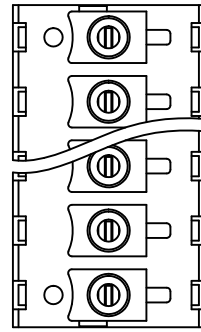
□2.8x1.7  
[□.110x.067]

2p to 6p with wedge, above 7p  
without wedge (including 7p)



N = Number of poles  
Dim A =  $N \times 3.5$  [.138]  
Dim B =  $(N-1) \times 3.5$  [.138]

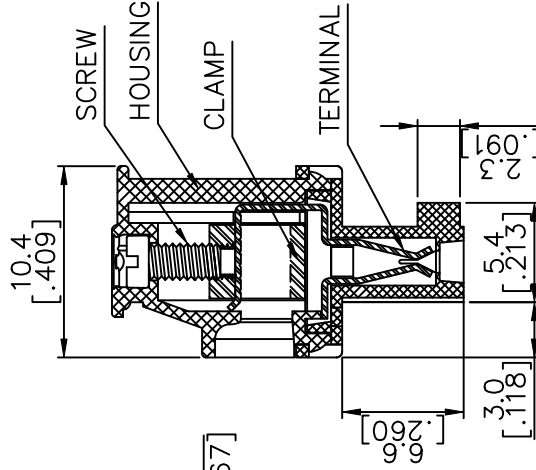
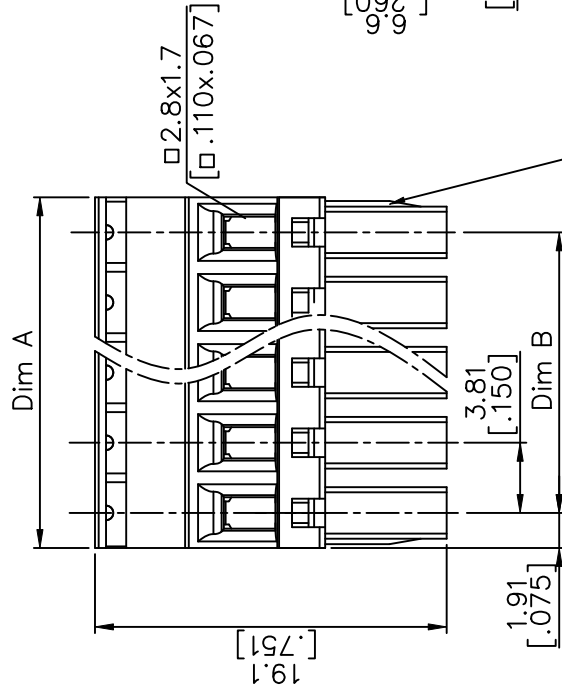
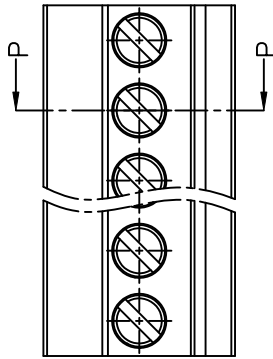
POLES	TOLERANCE
2-6p	$\pm 0.15$ [.006]
7-12p	$\pm 0.20$ [.008]
13-18p	$\pm 0.25$ [.010]
19-24p	$\pm 0.30$ [.012]



mat'l. code		surface	tolerance	projection	product family
ASME Y14.5		ASME Y14.5	ASME Y14.5	TERMINAL BLOCK	TERMINAL BLOCK
itr		tolerances unless otherwise specified		title	
ecn no		angles	X.±0.5	TERMINAL BLOCK	
dr		X.±1°	X.X±0.3	PLUGGABLE PLUG, BACK SIDE HOOK	
date		X.XX±0.1	scale	dwg no	sheet 2 of 5
		dr	JASON HSU 120909	20020010	A4
		enr	JASON HSU 120909		
		chr	GARY HSIEH 120909		
		appd	JOSEPH HSIA 120909		
sheet		revision		type	CUSTOMER Drawing
index		sheet			

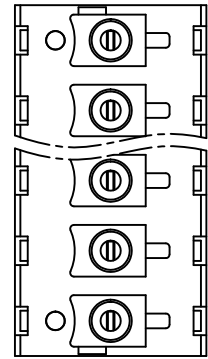


PRODUCT NUMBER	SERIES NAME	PITCH
20020010-DXXXXXXXXLF	02-381	3.81 mm



N = Number of poles  
 Dim A = N x 3.81 [.150]  
 Dim B = (N-1) x 3.81 [.150]

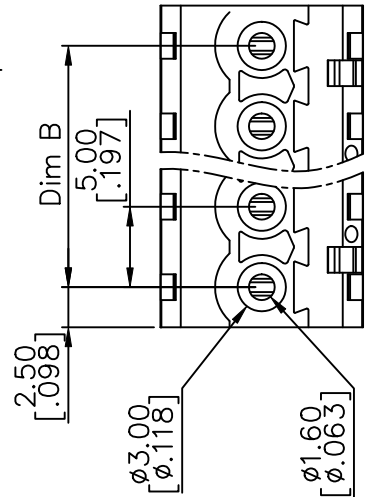
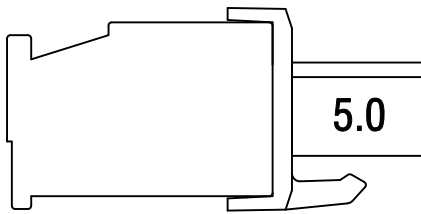
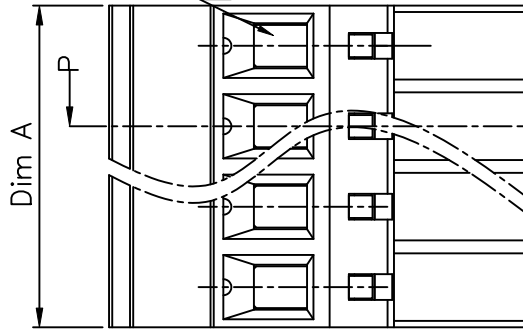
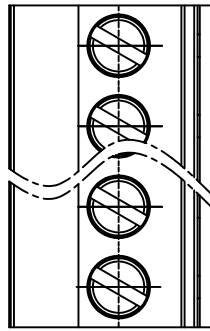
POLES	TOLERANCE
2-6p	±0.15 [.006]
7-12p	±0.20 [.008]
13-18p	±0.25 [.010]
19-24p	±0.30 [.012]



mat'l. code		surface	tolerance	projection	product family
ltr	ecn no	ASME Y14.5	ASME Y14.5	projection	TERMINAL BLOCK
F	date	tolerances unless otherwise specified		title	
		angles	X.±0.5	TERMINAL BLOCK	
		X*±1°	X.X±0.3	PLUGGABLE PLUG, BACK SIDE HOOK	
			X.XX±0.1	dwg no	20020010
		dr	JASON HSU 120909	sheet 3 of 5size	A4
		enrg	JASON HSU 120909		
		chr	GARY HSIEH 120909		
		appd	JOSEPH HSIA 120909		
sheet	revision			type	CUSTOMER Drawing
index	sheet				

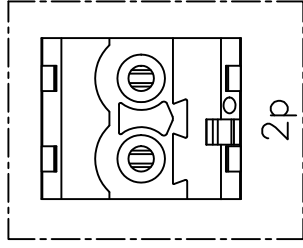
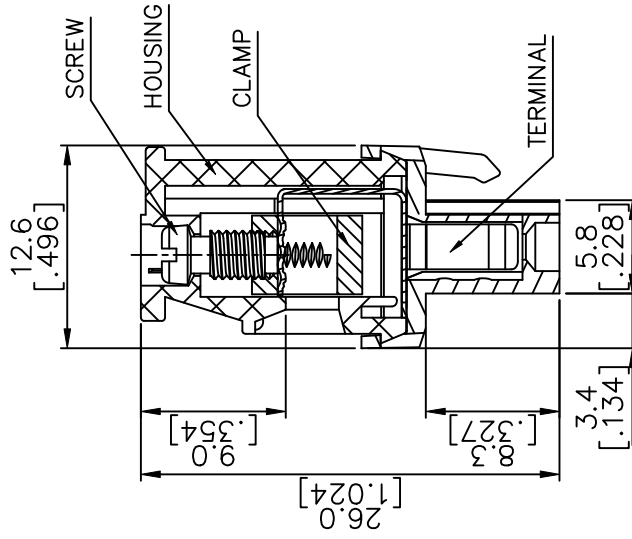


PRODUCT NUMBER	SERIES NAME	PITCH
20020010-GXXXXXXLF	02-500	5.00 mm



N = Number of poles  
 Dim A=Nx5.0[.197]  
 Dim B=(N-1)x5.0[.197]

POLES	TOLERANCE
2-6p	±0.15[.006]
7-12p	±0.25[.010]
13-18p	±0.30[.012]
19-24p	±0.40[.016]



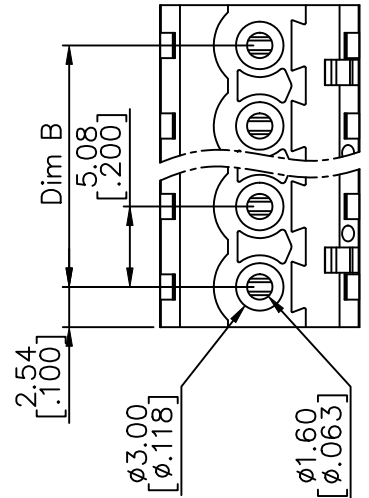
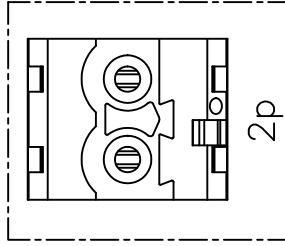
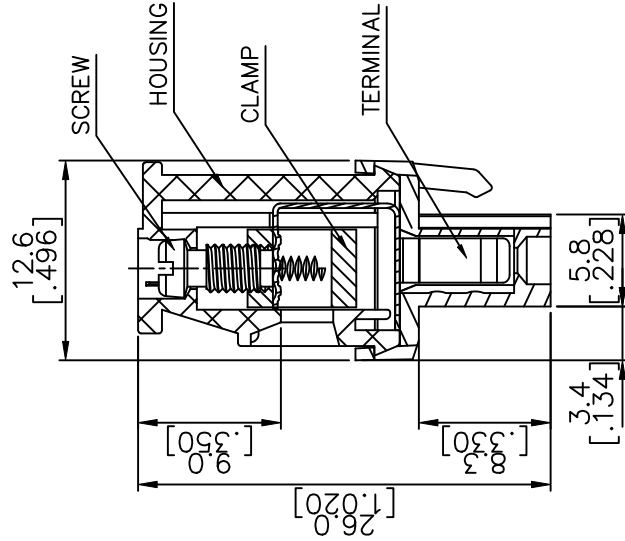
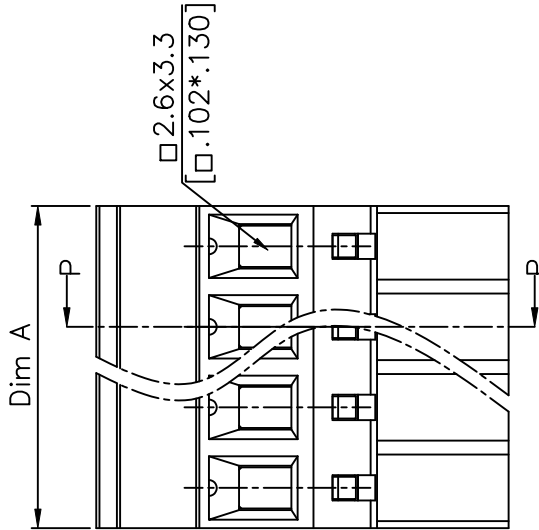
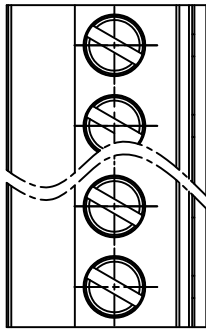
SECTION P-P

mat'l. code		surface	tolerance	projection	product family	TERMINAL BLOCK
itr		ASME Y14.5	ASME Y14.5	MM	title	
ecn no		tolerances unless otherwise specified		INCH	TERMINAL BLOCK	
dr		angles	X.±0.5	scale	PLUGGABLE PLUG, BACK SIDE HOOK	
date		X*±1*	X.X±0.3		dwg no	sheet 4 of 5 size
		X**±0.1			20020010	A4
		dr	JASON HSU 120909		type	CUSTOMER Drawing
		engr	JASON HSU 120909			
		chr	GARY HSIEH 120909			
		appd	JOSEPH HSIA 120909			
sheet		revision				
index		sheet				

PRODUCT NUMBER	SERIES NAME	PITCH
20020010-HXXXXXXXXLF	02-508	5.08 mm

N = Number of poles  
 Dim A =  $N \times 5.08$  [.200]  
 Dim B =  $(N-1) \times 5.08$  [.200]

POLES	TOLERANCE
2-6p	$\pm 0.15$ [.006]
7-12p	$\pm 0.25$ [.010]
13-18p	$\pm 0.30$ [.012]
19-24p	$\pm 0.40$ [.016]



mat'l. code		surface	tolerance	projection	product family	TERMINAL BLOCK
ltr	ecn no	ASME Y14.5	ASME Y14.5	MM	terminal block	
F	date	tolerances unless otherwise specified		[INCH]	PLUGGABLE PLUG, BACK SIDE HOOK	
		angles	X.±0.5	scale	dwg no	sheet 5 of 5 size
		X*±1°	X.X±0.3		20020010	A4
		X.XX±0.1			type	CUSTOMER Drawing
		dr JASON HSU	120909			
		engr JASON HSU	120909			
		chr GARY HSIEH	120909			
		appd JOSEPH HSIA	120909			
sheet	revision					
index	sheet					