

Dimmable LED Drivers

SMALL | SMART | EFFICIENT™

Revision: February 2017

Our Target Markets



- Indoor Residential and Commercial lighting



- Outdoor street and area lighting



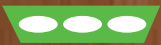
- Office lighting



- Warehouses, manufacturing facilities, and Large retail store application



- Parking garages



- Architectural lighting



- Display / Signage



- Stage Lighting (entertainment, concert)

ERP
P  W E R™

YOUR
DESIGNATED
DRIVER®

About ERP

ERP designs and manufactures energy-efficient LED drivers/power supplies for a wide range of lighting applications: from residential to commercial, industrial, outdoor, office buildings, architectural and stage lighting. Small, yet powerful, ERP products deliver an industry-leading combination of compact size, extensive dimmer compatibility, and high efficiency at competitive cost. Headquartered in Moorpark, CA, ERP owns and operates its own ISO 9001 certified manufacturing facility to ensure quality of design, sourcing, production and testing.

- **Industry leader in high-efficiency (high-power-saving) & high-density (small footprint) LED drivers/power supplies**
- **Product offerings include standard and custom solutions for LED Lighting**
- **U.S.A. Headquarters in Moorpark, California, with sales/marketing, R&D, and technical support to serve the North-American market**
- **China Operations Center in Zhuhai include document center, QA, R&D, manufacturing, and sales / technical support to serve China and Asia**

Our Presence



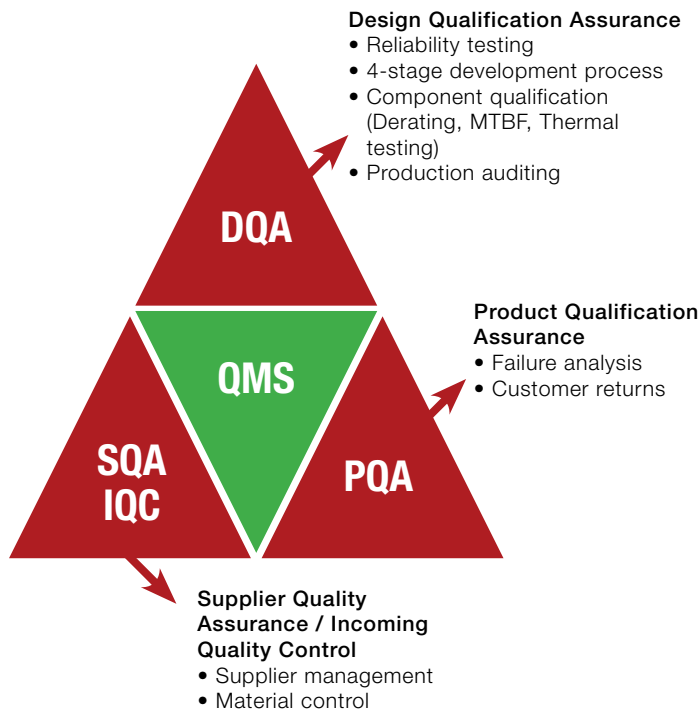
ERP Manufacturing

ERP products are manufactured in our wholly owned manufacturing facility in Zhuhai, China. The factory is configured with high-speed production lines for LED drivers and high-density power supplies, as well as state of the art burn-in chambers and automated test equipment. Strategic manufacturing partners provide significant upside capabilities. ERP products go through 100% burn-in to eliminate “infant mortality” failures. ISO 9001:2008 certified, with regular audits by safety agencies.



ERP Quality

Quality Management Systems (QMS)



Standard Certifications

ERP products are designed and manufactured to comply with worldwide international IEC standards for lighting applications, and carry certifications by safety agencies such as UL, CSA and Nemko.

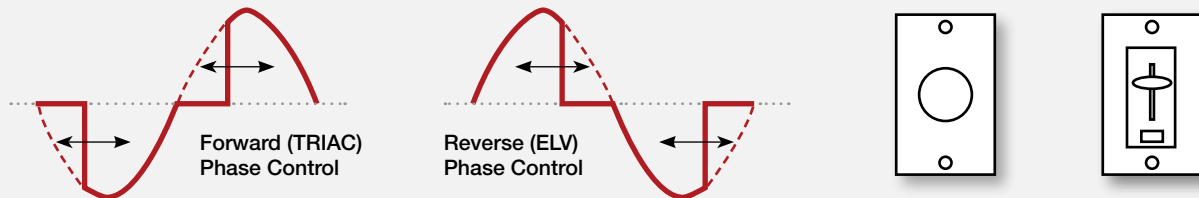
ERP products also comply with EMC regulations from Europe, and FCC/ICES in North America.



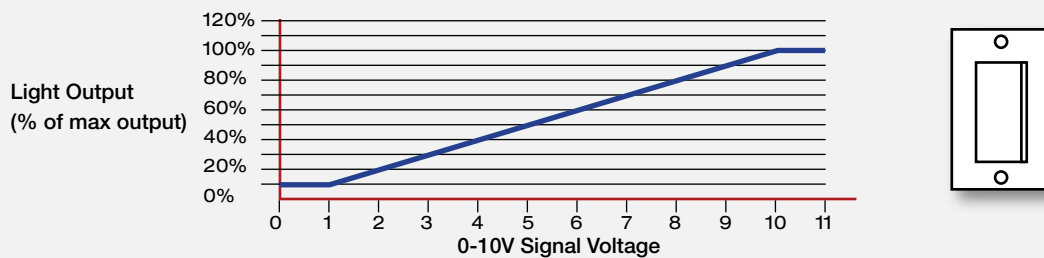
Best-In-Class Dimming

About Dimming

Phase-cut dimmers represent the bulk of the dimmers on the market. They employ a technique which works by “cutting off” or chopping part of the AC line voltage to vary the RMS voltage supplied to the dimmer load. There are two types of phase-cut dimmers: forward-phase (TRIAC or leading-edge) and reverse-phase (ELV or trailing-edge).

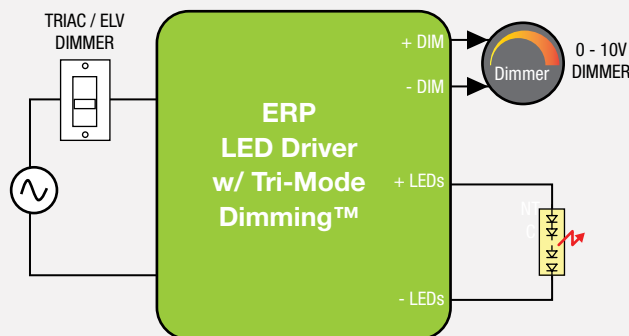


Another popular dimming method is the 0-10V control. Basically, a 0-10V control applies a voltage between 0 and 10 volts DC to produce a varying intensity level, delivering 1% to 100% of the output current. There are actually two 0-10V standards: a theatrical dimming standard (current source) and a dimming light ballast standard (current sink). Developed in the 1980's, the 0-10V sinking current control method was adopted by the International Electrotechnical Commission (IEC) as part of its IEC Standard 60929 Annex E. ERP LED drivers operate only with 0-10V dimmers that sink current.



Tri-Mode Dimming™

The ESS, ESP, ESM, EVM, EVB and SLM series of LED drivers are compatible with Tri-Mode Dimming™ from 6 W up to 160 W, i.e. they are compatible with forward-phase (TRIAC or leading-edge), reverse-phase (ELV or trailing-edge) and 0-10 V dimmers.



Broad Dimming Compatibility

ERP LED drivers deliver an extensive dimmer compatibility. For each LED driver, a dimming compatibility matrix is available upon request, showing how the LED driver scores against a long list of dimmers according to several criteria such as: flicker, shimmer, smooth dimming, no flash at startup, etc...

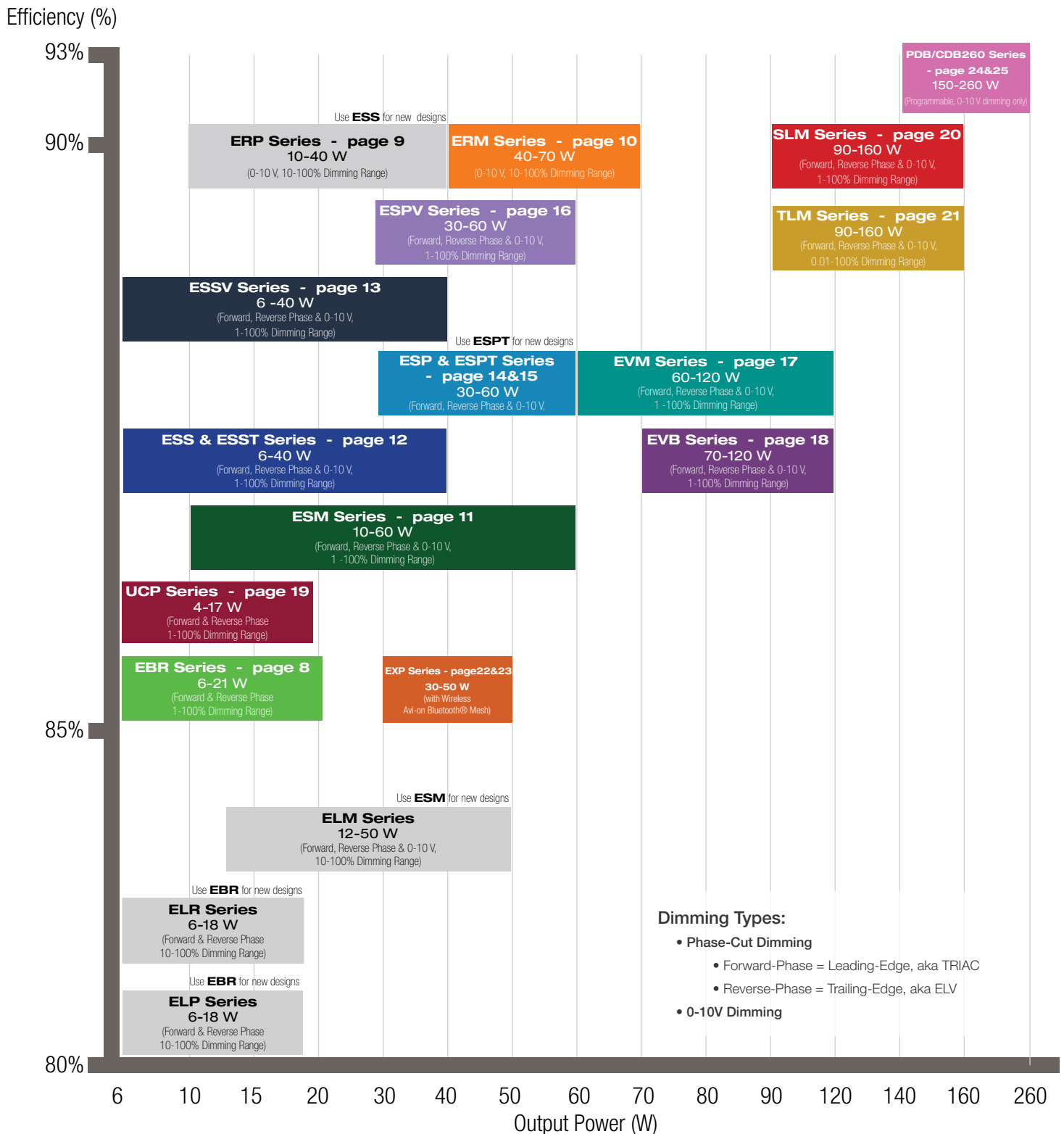
LED Cross-Reference

ERP has developed an extensive cross-reference for 12 different LED manufacturers. This cross-reference can be directly accessed from the ERP website at www.erp-power.com. On the homepage, using the pull-down menus, select the LED manufacturer and then the LED. You may also select your desired drive current. The cross-reference tool will return a list of driver(s) that are the most relevant for your LED selection. You can also access the cross-reference by clicking on **LED GUIDE** at the top of the homepage. The LED guide lists the 12 LED manufacturers whose LEDs have been cross referenced to some of our LED drivers.

	<p>CITIZEN</p>	
		
	<p>PHILIPS LUMILEDS</p>	
	<p>SHARP</p>	<p>XICATO AUTHORIZED DISTRIBUTOR</p>

ERP Constant Current LED Driver Portfolio

Below is a graph that illustrates our portfolio of constant current LED drivers. The color coded drivers >85% efficiency are represented in this brochure and include page number references, while the drivers in the grey are <85% and are not part of this brochure.

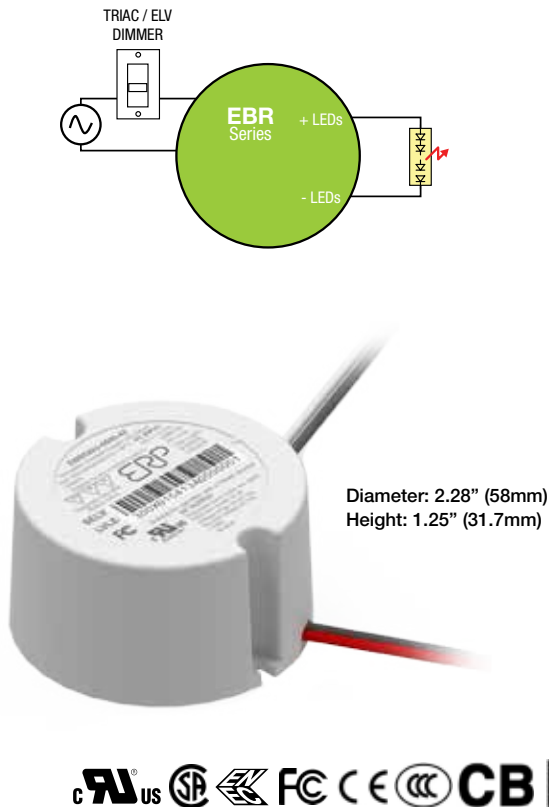


EBR SERIES 6 W - 21 W

Constant Current LED Drivers with Deep TRIAC and ELV Dimming (1% to 100%) and with Fast Startup Time

Nominal Input Voltage	Max. Output Power	Output Voltage	Output Current	Efficiency	Max. Case Temperature	THD	Power Factor	Dimming Method	Dimming Range	Startup Time
120 Vac, 220 - 240 Vac	21 W	16 to 42 Vdc	200 to 700 mA Constant Current	up to 87% typical	90°C (measured at the hot spot)	< 20%	> 0.9	Forward-Phase, Reverse-Phase	1 to 100% (% of Iout)	150 ms typical

Typical Application Diagram



ERP Part Number	Nominal Input Voltage (Vac)	Iout (mA)	Max. Output Power (W)	Output Voltage Range (Vdc)	
				min.	max.
120 VAC NOMINAL VOLTAGE					
EBR010U: 8 to 10 W					
EBR010U-0200-42	120	200	8.4	30	42
EBR010U-0250-42	120	250	10.5	30	42
EBR010U-0440-24	120	440	10.6	16	24
EBR015U: 11 to 15 W					
EBR015U-0300-42	120	300	12.6	30	42
EBR015U-0350-32	120	350	11.2	21	32
EBR015U-0440-36	120	440	15.8	24	36
EBR020U: 16 to 21 W					
EBR020U-0400-42	120	400	16.8	30	42
EBR020U-0460-42	120	460	19.3	30	42
EBR020U-0500-32	120	500	16.0	21	32
EBR020U-0500-37	120	500	18.5	25	37
EBR020U-0500-42	120	500	21.0	30	42
EBR020U-0700-24	120	700	16.8	16	24
EBR020U-0700-30	120	700	21.0	20	30
220 TO 240 VAC NOMINAL INPUT VOLTAGE					
EBR010E: 8 to 10 W					
EBR010E-0200-42	220 to 240	200	8.4	30	42
EBR010E-0250-42	220 to 240	250	10.5	30	42
EBR015E: 11 to 15 W					
EBR015E-0350-42	220 to 240	350	14.7	30	42
EBR015E-0440-36	220 to 240	440	15.8	24	36
EBR020E: 16 to 21 W					
EBR020E-0500-42	220 to 240	500	21.0	30	42

For additional options of output current and output voltage, contact your sales representative or send an email to: SaveEnergy@ERP-Power.com



Features

- Compatible with industry standard TRIAC (forward-phase or leading-edge), and ELV (reverse-phase or trailing-edge) phase-cut dimmers
- Lifetime: 50,000 hours at 70°C case temperature
- Protections: output open load, over-current and short-circuit (hiccup), and over-temperature with auto recovery
- Conducted and radiated EMI: Compliant with FCC CFR Title 47 Part 15 Class B at 120 Vac and EN55015 (CISPR 15) at 220 to 240 Vac
- Complies with ENERGY STAR® luminaire specification and with DLC (Design Light Consortium®) technical requirements
- IP20-rated case with silicone-based potting
- 94V-0 flammability rating (5VA available upon request)
- 90°C maximum case temperature
- Class 2 power supply

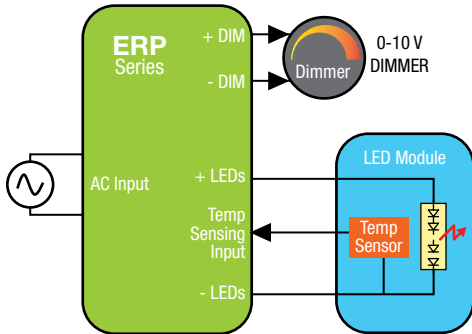
Applications

- Recessed lighting (downlights)
- Commercial & Residential lighting
- Architectural lighting



Nominal Input Voltage	Max. Output Power	Output Voltage	Output Current	Efficiency	Max. Case Temperature	THD	Power Factor	Dimming Method	Dimming Range
120 to 277 Vac	40 W	16 to 54.5 Vdc	350 to 1400 mA Constant Current	up to 90% typical	90°C (measured at the hot spot)	< 20%	> 0.9	0-10 V	10 to 100%

Typical Application Diagram



ERP Part Number	Nominal Input Voltage (Vac)	I _{out} (mA)	Max. Output Power (W)	Output Voltage Range (Vdc)	
				min.	max.
ERP020W: 10 to 20 W					
ERP020W-0350-28	120 to 277	350	9.8	21	28
ERP020W-0450-42	120 to 277	450	18.9	31.5	42
ERP020W-0720-24.5	120 to 277	720	17.6	18	24.5
ERP030W: 21 to 30 W					
ERP030W-0700-32	120 to 277	700	22.4	22.5	32
ERP030W-0700-38.5	120 to 277	700	27.0	29	38.5
ERP040W: 31 to 40 W					
ERP040W-0900-42	120 to 277	900	37.8	31.5	42
ERP040W-1050-38	120 to 277	1050	39.9	28.5	38

For additional options of output current and output voltage, contact your sales representative or send an email to: SaveEnergy@ERP-Power.com

Applications

- Commercial lighting
- Residential lighting
- Architectural lighting
- Tunnels and street lighting
- Wide-area downlights



Features

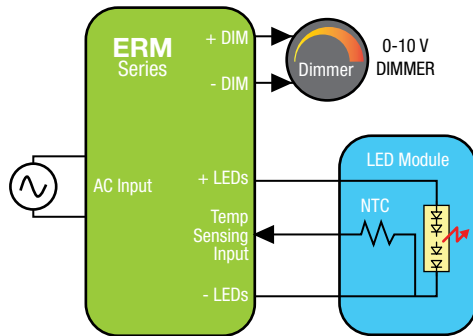
**NOT RECOMMENDED FOR NEW DESIGNS.
 FOR NEW DESIGNS, USE THE ESS SERIES.**

- High power density of 8.5 W/in³
- Protections: output open load, over-current and short-circuit (hiccup), and over-temperature with auto recovery
- Conducted and radiated EMI: Compliant with FCC part 15 Class B (120 Vac) Class A (277 Vac) and EN55015 (CISPR 15) at 220 to 240 Vac
- Complies with ENERGY STAR® luminaire specification
- IP64-rated case with silicone-based potting
- Lifetime: 50,000 hours at 70°C case temperature
- 90°C maximum case temperature
- Class 2 power supply



Nominal Input Voltage	Max. Output Power	Output Voltage	Output Current	Efficiency	Max. Case Temperature	THD	Power Factor	Dimming Method	Dimming Range
120 & 277 Vac	70 W	21 to 82 Vdc	700 to 2100 mA Constant Current	up to 90% typical	90°C (measured at hot spot)	< 20%	> 0.9	0-10 V	10 to 100%

Typical Application Diagram



ERP Part Number	Nominal Input Voltage (Vac)	I _{out} (mA)	Max. Output Power (W)	Output Voltage Range (Vdc)	
				min.	max.
ERM050W: 40 to 50 W					
ERM050W-1050-42	120 & 277	1050	44.1	32	42
ERM050W-1200-42	120 & 277	1200	50.4	32	42
ERM050W-1800-28	120 & 277	1800	50.4	21	28
ERM060W: 51 to 70 W					
ERM060W-0700-82 ⁽¹⁾	120 & 277	700	57.4	62	82
ERM060W-1400-42	120 & 277	1400	58.8	32	42
ERM060W-1600-42	120 & 277	1600	67.2	32	42
ERM060W-1750-40	120 & 277	1750	70	30	40
ERM060W-2100-28	120 & 277	2100	58.8	21	28

1. Not Class 2

For additional options of output current and output voltage, contact your sales representative or send an email to: SaveEnergy@ERP-Power.com



Applications

- High Bay Lights
- Troffers
- Outdoor LED Lighting
- Office LED Lighting
- Industrial LED Lighting
- High current COB LEDs

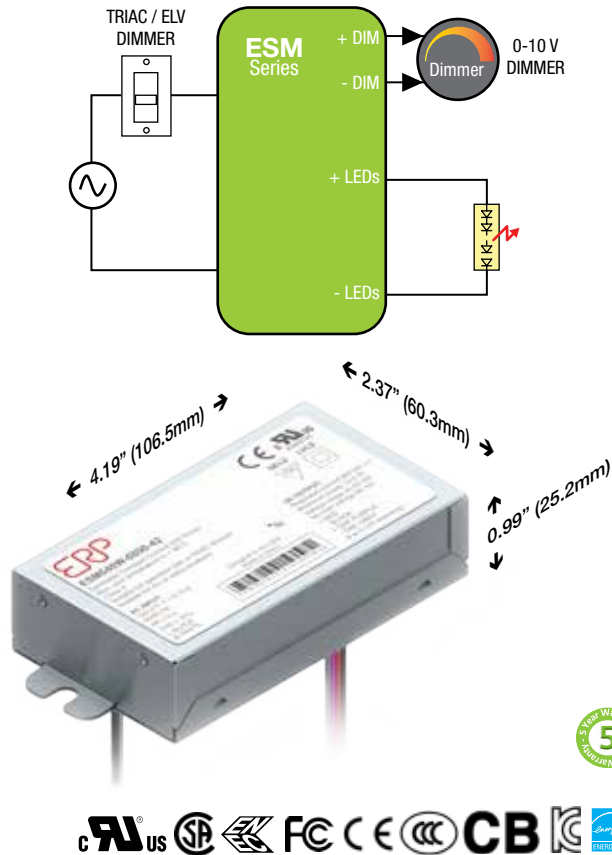


Features

- Very High power density in the market: 8.2 W/in³
- Protections: output open load, over-current and short-circuit (hiccup), and over-temperature with auto recovery
- Conducted and radiated EMI: FCC CFR Title 47 Part 15 compliant with Class B at 120 Vac and Class A at 277 Vac
- Complies with ENERGY STAR® luminaire specification and with DLC (Design Light Consortium®) technical requirements
- IP64-rated case with silicone-based potting
- Lifetime: 50,000 hours at 70°C case temperature
- 90°C maximum case temperature
- Class 2 power supply

Nominal Input Voltage	Max. Output Power	Output Voltage	Output Current	Efficiency	Max. Case Temperature	THD	Power Factor	Dimming Method	Dimming Range	Startup Time
120 to 277 Vac	60 W	8 to 43 Vdc	280 to 1750 mA Constant Current	up to 87% typical	90°C (measured at the hot spot)	< 20%	> 0.9	Forward-Phase, Reverse-Phase, & 0-10 V	1 to 100% (% of Iout)	300 ms typical

Typical Application Diagram



ERP Part Number	Nominal Input Voltage (Vac)	Iout (mA)	Max. Output Power (W)	Output Voltage Range (Vdc)	
				min.	max.
ESM020W: up to 20 W					
ESM020W-0280-42	120 to 277	280	11.8	28	42
ESM020W-0350-42	120 to 277	350	14.7	28	42
ESM020W-0440-25	120 to 277	440	11.0	19	25
ESM020W-0440-25-SS-F1B ¹⁾	120 to 277	440	11.0	19	25
ESM020W-0440-34-SS-F1B ²⁾	120 to 277	440	15.0	27	34
ESM020W-0440-34	120 to 277	440	15.0	19	34
ESM020W-1000-14	120 to 277	1000	14.0	8	14
ESM030W: 21 to 30 W					
ESM030W-0500-42	120 to 277	500	21.0	28	42
ESM030W-0550-42	120 to 277	550	23.1	28	42
ESM030W-0700-32	120 to 277	700	22.4	21	32
ESM030W-0700-42	120 to 277	700	29.4	28	42
ESM030W-0900-26	120 to 277	900	23.4	19	26
ESM030W-0940-26-SS-F1B ³⁾	120 to 277	940	24.4	19	26
ESM030W-1750-14	120 to 277	1750	24.5	8	14
ESM040W: 31 to 40 W					
ESM040W-0700-56	120 to 277	700	39.2	40	56
ESM040W-0800-42	120 to 277	800	33.6	28	42
ESM040W-0850-42	120 to 277	850	35.7	28	42
ESM040W-0900-42	120 to 277	900	37.8	28	42
ESM040W-0940-33-SS-F1B ⁴⁾	120 to 277	940	31.0	28	33
ESM040W-0940-43	120 to 277	940	40.4	32	43
ESM050W: 41 to 50 W					
ESM050W-1050-42	120 to 277	1050	44.1	28	42
ESM050W-1200-42	120 to 277	1200	50.4	28	42
ESM050W-1400-34	120 to 277	1400	47.6	23	34
ESM060W: 51 to 60 W					
ESM060W-1400-42	120 to 277	1400	58.8	28	42

1. The ESM020W-0440-25-SS-F1B is specifically intended to drive the Cree LMH2 850 sunset module and exhibits a customized 0-10V dimming transfer function. It will not work with any other LED or LED string.
2. The ESM020W-0440-34-SS-F1B is specifically intended to drive the Cree LMH2 1250 sunset module and exhibits a customized 0-10V dimming transfer function. It will not work with any other LED or LED string.
3. The ESM030W-0940-26-SS-F1B is specifically intended to drive the Cree LMH2 2000 sunset module and exhibits a customized 0-10V dimming transfer function. It will not work with any other LED or LED string.
4. The ESM040W-0940-33-SS-F1B is specifically intended to drive the Cree LMH2 3000 sunset module and exhibits a customized 0-10V dimming transfer function. It will not work with any other LED or LED string.

For additional options of output current and output voltage, contact your sales representative or send an email to: SaveEnergy@ERP-Power.com

Features

- Compatible with TRIAC (forward-phase or leading-edge), ELV (reverse-phase or trailing-edge) and 0-10 V dimmers
- TRIAC and ELV dimming only at 120 Vac
- Linear 0-10 V dimming transfer function: 10V=100%, 1V=10%, 0.1V=1%
- Lifetime: 50,000 hours at 70°C case temperature
- Protections: output open load, over-current and short-circuit (hiccup), and over-temperature with auto recovery
- Conducted and radiated EMI: Compliant with FCC CFR Title 47 Part 15 Class B (120 Vac)/Class A (277 Vac) and EN55015 (CISPR 15) at 220 to 240 Vac
- Complies with ENERGY STAR® luminaire specification and with DLC (Design Light Consortium®) technical requirements
- IP20-rated Bottom Leads with Studs metal case with silicone-based potting
- 90°C maximum case temperature
- Class 2 power supply

Applications

- Recessed downlights
- Commercial lighting
- Residential lighting
- Architectural lighting

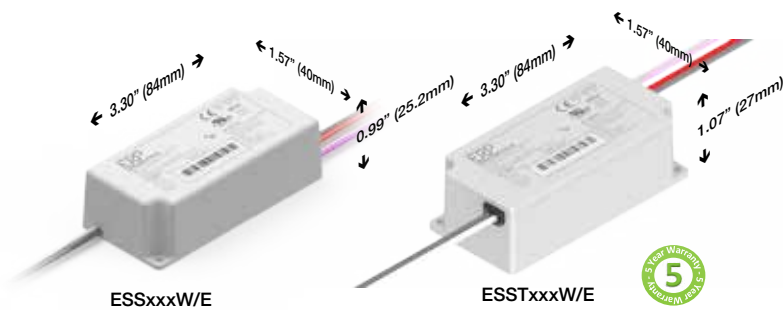
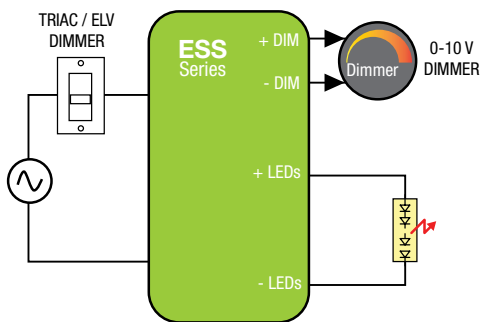
ESS SERIES 6 W - 40 W

Tri-Mode Dimming™ (TRIAC, ELV & 0-10 V) Constant Current LED Drivers with Fast Startup Time

Nominal Input Voltage	Max. Output Power	Output Voltage	Output Current	Efficiency	
120 to 277 Vac, 220 to 240 Vac	40 W	6 to 56 Vdc	200 to 2100 mA Constant Current	up to 87% typical	
Max. Case Temperature	THD	Power Factor	Dimming Method	Dimming Range	Startup Time
90°C (measured at the hot spot)	< 20%	> 0.9	Forward-Phase, Reverse-Phase, & 0-10 V	1 to 100% (% of Iout)	300 ms typical

ERP Part Number	Nominal Input Voltage (Vac)	Iout (mA)	Max. Output Power (W)	Output Voltage Range (Vdc)	
				min.	max.
120 TO 277 VAC NOMINAL VOLTAGE					
ESS010W: up to 10 W					
ESS010W-0200-42	120 to 277	200	8.4	28	42
ESS010W-0250-42	120 to 277	250	10.5	28	42
ESS010W-0350-24	120 to 277	350	8.4	14	24
ESS010W-0500-12	120 to 277	500	6.0	6	12
ESS010W-0750-12	120 to 277	750	9.0	6	12
ESS015W: 11 to 15 W					
ESS015W-0300-42	120 to 277	300	12.6	28	42
ESS015W-0350-32	120 to 277	350	11.2	21	32
ESS015W-0350-42	120 to 277	350	14.7	28	42
ESS015W-0440-25	120 to 277	440	11.0	19	25
ESS015W-0440-34	120 to 277	440	15.0	28	34
ESS015W-0700-18	120 to 277	700	12.6	10	18
ESS015W-1000-12	120 to 277	1000	12.0	6	12
ESS015W-1050-14	120 to 277	1050	14.7	8	14
ESS020W: 16 to 20 W					
ESS020W-0350-56	120 to 277	350	19.6	40	56
ESS020W-0400-42	120 to 277	400	16.8	28	42
ESS020W-0450-42	120 to 277	450	18.9	28	42
ESS020W-0500-32	120 to 277	500	16.0	21	32
ESS020W-0600-27	120 to 277	600	16.2	20	27
ESS020W-0700-24	120 to 277	700	16.8	14	24
ESS020W-1400-14	120 to 277	1400	19.6	8	14
ESS030W: 21 to 30 W					
ESS030W-0500-42	120 to 277	500	21.0	28	42
ESS030W-0550-42	120 to 277	550	23.1	28	42
ESS030W-0620-42	120 to 277	620	26.0	28	42
ESS030W-0700-32	120 to 277	700	22.4	21	32
ESS030W-0700-42	120 to 277	700	29.4	28	42
ESS030W-0900-27	120 to 277	900	24.3	20	27
ESS030W-0900-32	120 to 277	900	28.8	21	32
ESS030W-1100-27	120 to 277	1100	29.7	20	27
ESS030W-1750-14	120 to 277	1750	24.5	8	14
ESS040W: 31 to 40 W					
ESST040W-0800-42	120 to 277	800	33.6	28	42
ESST040W-0900-42	120 to 277	900	37.8	28	42
ESST040W-1400-24	120 to 277	1400	33.6	14	24
ESST040W-1400-27	120 to 277	1400	37.8	20	27
220 TO 240 VAC NOMINAL INPUT VOLTAGE					
ESS010E: 11 to 10 W					
ESS010E-0250-42	220 to 240	250	10.5	28	42
ESS015E: 11 to 15 W					
ESS015E-0350-32	220 to 240	350	11.2	21	32
ESS015E-0350-42	220 to 240	350	14.7	28	42
ESS020E: 16 to 20 W					
ESS020E-0400-42	220 to 240	400	16.8	28	42
ESS020E-0450-42	220 to 240	450	18.9	28	42
ESS030E: 21 to 30 W					
ESS030E-0500-42	220 to 240	500	21.0	28	42
ESS030E-0620-42	220 to 240	620	26.0	28	42
ESS030E-0700-42	220 to 240	700	29.4	28	42
ESS040E: 31 to 40 W					
ESST040E-0800-42	220 to 240	800	33.6	28	42
ESST040E-0900-42	220 to 240	900	37.8	28	42

Typical Application Diagram

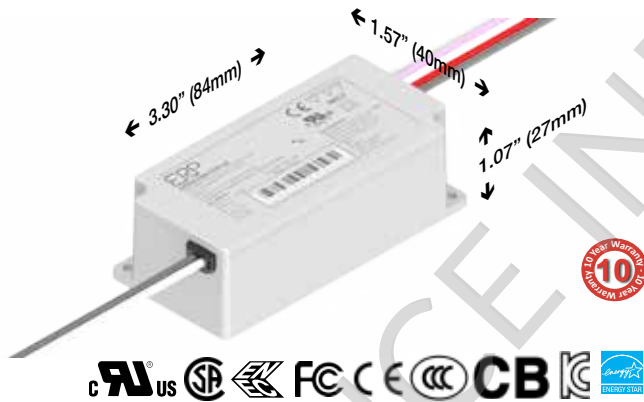
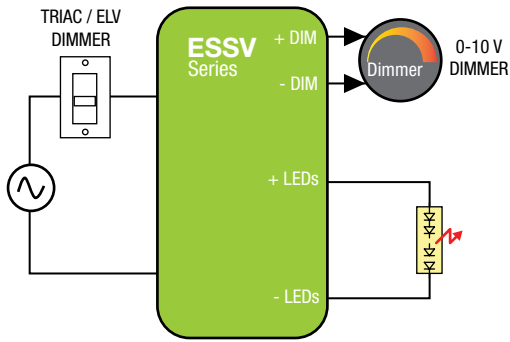


Features

- Compatible with TRIAC (forward-phase or leading-edge), ELV (reverse-phase or trailing-edge) and 0-10 V dimmers
- ESSxxxW: TRIAC and ELV dimming only at 120 Vac.
- ESSxxxE: TRIAC and ELV dimming only at 230 Vac.
- Linear 0-10 V dimming transfer function: 10V=100%, 1V=10%, 0.1V=1%
- Lifetime: 50,000 hours at 70°C case temperature
- Protections: output open load, over-current and short-circuit (hiccup), and over-temperature with auto recovery
- Conducted and radiated EMI: Compliant with FCC CFR Title 47 Part 15 Class B (120 Vac)/Class A (277 Vac) and EN55015 (CISPR 15) at 220 to 240 Vac
- Complies with ENERGY STAR® luminaire specification and with DLC (Design Light Consortium®) technical requirements
- IP64-rated case with silicone-based potting
- 90°C maximum case temperature
- Class 2 power supply

Nominal Input Voltage	Max. Output Power	Output Voltage	Output Current	Efficiency	Max. Case Temperature	THD	Power Factor	Dimming Method	Dimming Range	Startup Time
120 to 277 Vac	40 W	14 to 42 Vdc	250 to 2100 mA Constant Current	up to 87% typical	90°C (measured at the hot spot)	< 20%	> 0.9	Forward-Phase, Reverse-Phase & 0-10 V	1 to 100% (% of Iout)	300 ms typical

Typical Application Diagram



ERP Part Number	Nominal Input Voltage (Vac)	Iout (mA)	Max. Output Power (W)	Output Voltage Range (Vdc)	
				min.	max.
ESSV010W: up to 10 W					
ESSV010W-0250-42	120 to 277	250	10.5	28	42
ESSV015W: 11 to 15 W					
ESSV015W-0300-42	120 to 277	300	12.6	28	42
ESSV020W: 16 to 20 W					
ESSV030W-0620-42	120 to 277	620	26.0	28	42
ESSV030W-0700-42	120 to 277	700	29.4	28	42
ESSV030W-2100-14	120 to 277	2100	29.4	8	14
SS030W: 21 to 30 W					
ESSV040W-0900-42	120 to 277	900	37.8	28	42
ESSV040W-1400-27	120 to 277	1400	37.8	20	27

For additional options of output current and output voltage, contact your sales representative or send an email to: SaveEnergy@ERP-Power.com

Applications

- Commercial lighting
- Residential lighting
- Architectural lighting
- Wide-area downlights

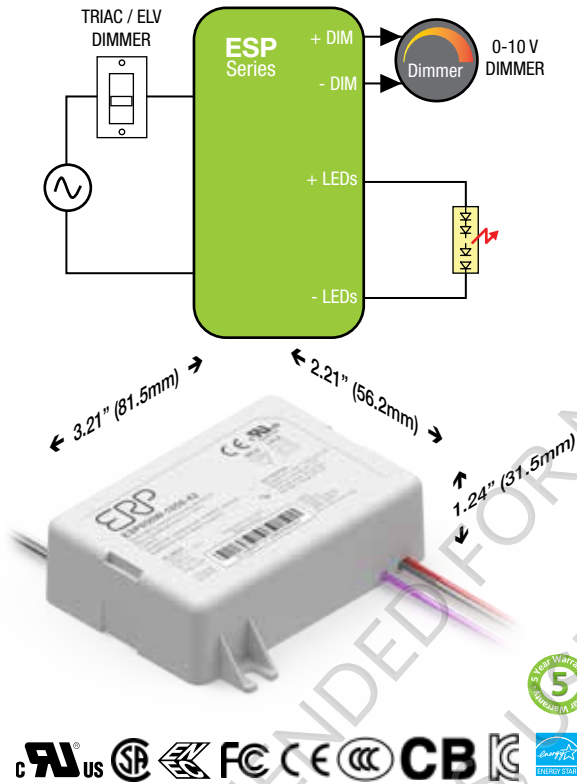


Features

- Same features as ESS series but with 10-year lifetime at 70°C case hot spot temperature
- 90°C maximum case temperature
- UL Class P
- IP64-rated case with silicone-based potting with 5 VA flammability rating
- Compatible with TRIAC (forward-phase or leading-edge), ELV (reverse-phase or trailing-edge) and 0-10 V dimmers
- TRIAC and ELV dimming only at 120 Vac.
- Protections: output open load, over-current and short-circuit (hiccup), and over-temperature with auto recovery
- Conducted and radiated EMI: Compliant with FCC CFR Title 47 Part 15 Class B (120 Vac)/Class A (277 Vac) and EN55015 (CISPR 15) at 220 to 240 Vac
- Complies with ENERGY STAR® luminaire specification and with DLC (Design Light Consortium®) technical requirements
- Class 2 power supply

Nominal Input Voltage	Max. Output Power	Output Voltage	Output Current	Efficiency	Max. Case Temperature	THD	Power Factor	Dimming Method	Dimming Range	Startup Time
120 to 277 Vac	40 W	21 to 56 Vdc	700 to 1400 mA Constant Current	up to 87% typical	90°C (measured at the hot spot)	< 20%	> 0.9	Forward-Phase, Reverse-Phase & 0-10 V	1 to 100% (% of Iout)	300 ms typical

Typical Application Diagram



ERP Part Number	Nominal Input Voltage (Vac)	Iout (mA)	Max. Output Power (W)	Output Voltage Range (Vdc)	
				min.	max.
120 TO 277 VAC NOMINAL VOLTAGE					
ESP040W: 30 to 40 W					
ESP040W-0700-56	120 to 277	700	39.2	40	56
ESP040W-0800-42	120 to 277	800	33.6	28	42
ESP040W-0850-42	120 to 277	850	35.7	28	42
ESP040W-0900-42	120 to 277	900	37.8	28	42
ESP040W-0940-33-SS-F1 ⁽¹⁾	120 to 277	940	31.0	28	33
ESP040W-0940-43	120 to 277	940	40.4	35	43
ESP050W: 41 to 50 W					
ESP050W-1050-42	120 to 277	1050	44.1	28	42
ESP050W-1200-42	120 to 277	1200	50.4	28	42
ESP050W-1400-32	120 to 277	1400	44.8	21	32
ESP050W-1400-34	120 to 277	1400	47.6	23	34
ESP060W: 51 to 60 W					
ESP060W-1400-42	120 to 277	1400	58.8	28	42
220 TO 240 VAC NOMINAL INPUT VOLTAGE					
ESP040E: 30 to 40 W					
ESP040E-0800-42	220 to 240	800	33.6	28	42
ESP040E-0850-42	220 to 240	850	35.7	28	42
ESP040E-0900-42	220 to 240	900	37.8	28	42
ESP050E: 41 to 50 W					
ESP050E-1050-42	220 to 240	1050	44.1	28	42
ESP050E-1200-42	220 to 240	1200	50.4	28	42
ESP060E: 41 to 50 W					
ESP060E-1400-42	220 to 240	1400	58.8	28	42

1. The ESP040W-0940-33-SS-F1 is specifically intended to drive the Cree LMH2 3000 sunset module and exhibits a customized 0-10V dimming transfer function. It will not work with any other LED or LED string.

For additional options of output current and output voltage, contact your sales representative or send an email to: SaveEnergy@ERP-Power.com

Features

NOT RECOMMENDED FOR NEW DESIGNS. FOR NEW DESIGNS, USE THE ESPT SERIES.

- Compatible with TRIAC (forward-phase or leading-edge), ELV (reverse-phase or trailing-edge) and 0-10 V dimmers
- ESPxxxW: TRIAC and ELV dimming only at 120 Vac.
- ESPxxxE: TRIAC and ELV dimming only at 230 Vac.
- Lifetime: 50,000 hours at 70°C case temperature
- Protections: output open load, over-current and short-circuit (hiccup), and over-temperature with auto recovery
- Conducted and radiated EMI: Compliant with FCC CFR Title 47 Part 15 Class B (120 Vac)/Class A (277 Vac) and EN55015 (CISPR 15) at 220/230/240 Vac
- Complies with ENERGY STAR® luminaire specification and with DLC (Design Light Consortium®) technical requirements
- IP64-rated case with silicone-based potting
- 90°C maximum case hot spot temperature
- Class 2 power supply

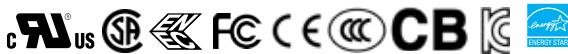
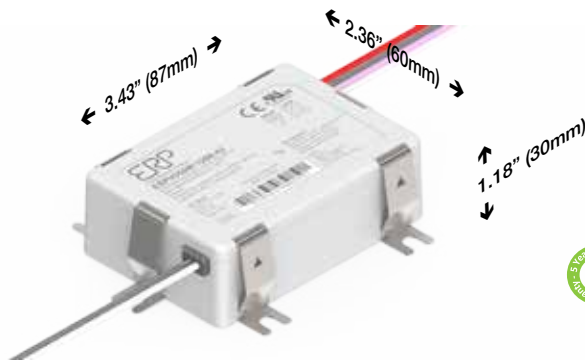
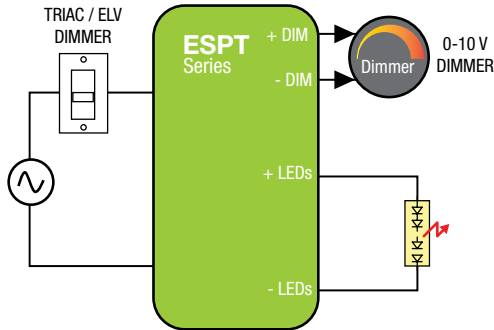
Applications

- Recessed lighting (down lights)
- Commercial & Residential lighting
- Architectural lighting



Nominal Input Voltage	Max. Output Power	Output Voltage	Output Current	Efficiency	Max. Case Temperature	THD	Power Factor	Dimming Method	Dimming Range	Startup Time
120 to 277 Vac	40 W	21 to 56 Vdc	700 to 1400 mA Constant Current	up to 87% typical	90°C (measured at the hot spot)	< 20%	> 0.9	Forward-Phase, Reverse-Phase & 0-10 V	1 to 100% (% of Iout)	300 ms typical

Typical Application Diagram



Features

- Compatible with TRIAC (forward-phase or leading-edge), ELV (reverse-phase or trailing-edge) and 0-10 V dimmers
- ESPTxxxW: TRIAC and ELV dimming only at 120 Vac.
- ESPTxxxE: TRIAC and ELV dimming only at 230 Vac.
- Linear 0-10 V dimming transfer function: 10V=100%, 1V=10%, 0.1V=1%
- Lifetime: 50,000 hours at 70°C case temperature
- Protections: output open load, over-current and short-circuit (hiccup), and over-temperature with auto recovery
- Conducted and radiated EMI: Compliant with FCC CFR Title 47 Part 15 Class B (120 Vac)/Class A (277 Vac) and EN55015 (CISPR 15) at 220/230/240 Vac
- Complies with ENERGY STAR® luminaire specification and with DLC (Design Light Consortium®) technical requirements
- IP64-rated case with silicone-based potting
- 90°C maximum case temperature
- Class 2 power supply

ERP Part Number	Nominal Input Voltage (Vac)	Iout (mA)	Max. Output Power (W)	Output Voltage Range (Vdc)	
				min.	max.
120 TO 277 VAC NOMINAL VOLTAGE					
ESPT040W: 30 to 40 W					
ESPT040W-0700-56	120 to 277	700	39.2	40	56
ESPT040W-0800-42-Z1 ⁽¹⁾	120 to 277	800	33.6	28	42
ESPT040W-0900-42-Z1 ⁽¹⁾	120 to 277	900	37.8	28	42
ESPT050W: 41 to 50 W					
ESPT050W-1050-42-Z1 ⁽¹⁾	120 to 277	1050	44.1	28	42
ESPT050W-1200-42-Z1 ⁽¹⁾	120 to 277	1200	50.4	28	42
ESPT050W-1400-34	120 to 277	1400	47.6	23	34
ESPT060W: 51 to 60 W					
ESPT060W-1400-42-Z1 ⁽¹⁾	120 to 277	1400	58.8	28	42
220 TO 240 VAC NOMINAL INPUT VOLTAGE					
ESPT040E: 30 to 40 W					
ESPT040E-0800-42	220 to 240	800	33.6	28	42
ESPT040E-0900-42	220 to 240	900	37.8	28	42
ESPT050E: 41 to 50 W					
ESPT050E-1050-42	220 to 240	1050	44.1	28	42
ESPT050E-1200-42	220 to 240	1200	50.4	28	42
ESPT060E: 41 to 50 W					
ESPT060E-1400-42	220 to 240	1400	58.8	28	42

1. The ESPTxxxW-xxxx-42-Z1 exhibits a non-linear 0-10V Dimming Profile (10V to 9.1V=100%, 1V to 0.8V=1%, <0.8V dim-to-off).

For additional options of output current and output voltage, contact your sales representative or send an email to: SaveEnergy@ERP-Power.com

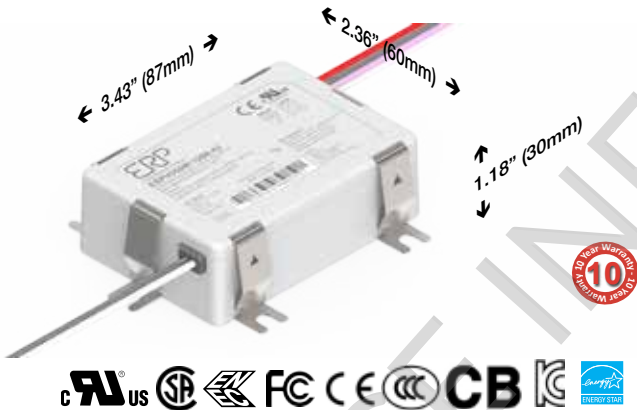
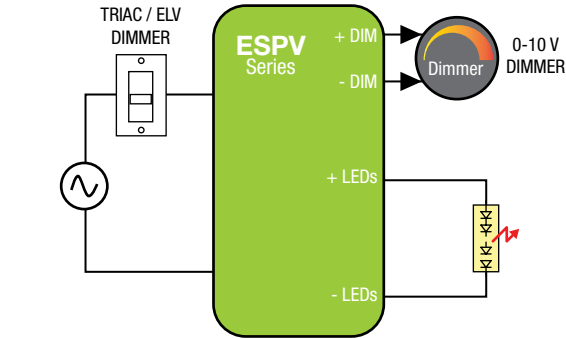
Applications

- Recessed lighting (down lights)
- Commercial & Residential lighting
- Architectural lighting



Nominal Input Voltage	Max. Output Power	Output Voltage	Output Current	Efficiency	Max. Case Temperature	THD	Power Factor	Dimming Method	Dimming Range	Startup Time
120 to 277 Vac	50 W	28 to 42 Vdc	1050 to 1200 mA Constant Current	up to 87% typical	90°C (measured at the hot spot)	< 20%	> 0.9	Forward-Phase, Reverse-Phase & 0-10 V	1 to 100% (% of I _{out})	300 ms typical

Typical Application Diagram



ERP Part Number	Nominal Input Voltage (Vac)	I _{out} (mA)	Max. Output Power (W)	Output Voltage Range (Vdc)	
				min.	max.
ESP050W: 41 to 50 W					
ESPV050W-1050-42-Z1 ⁽¹⁾	120 to 277	1050	44.1	28	42
ESPV050W-1200-42-Z1 ⁽¹⁾	120 to 277	1200	50.4	28	42

1. The ESPVxxxW-xxxx-42-Z1 exhibits a non-linear 0-10V Dimming Profile (10V to 9.1V=100%, 1V to 0.8V=1%, <0.8V dim-to-off).

For additional options of output current and output voltage, contact your sales representative or send an email to: SaveEnergy@ERP-Power.com

Applications

- Commercial lighting
- Residential lighting
- Troffers
- Architectural lighting
- Wide-area downlights

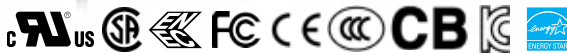
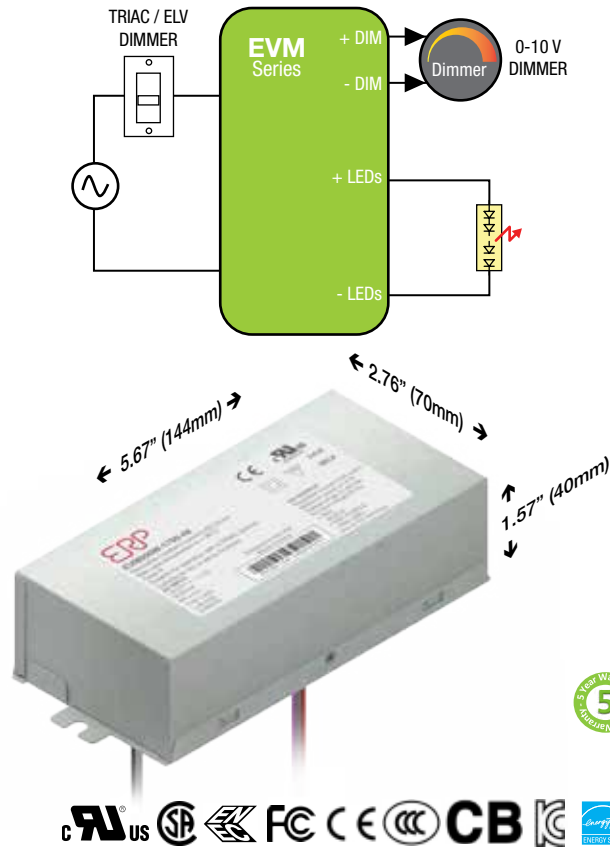


Features

- Same features as ESP series but with 10-year lifetime at 70°C case hot spot temperature
- 90°C maximum case temperature
- Non-linear 0-10V dimming profile: 10V to 8.1V=100%, 1V to 0.8V=1%, <0.8V dim-to-off
- Dims to off
- UL Class P
- IP64-rated case with silicone-based potting with 5VA flammability rating
- Compatible with TRIAC (forward-phase or leading-edge), ELV(reverse-phase or trailing-edge) and 0-10 V dimmers
- TRIAC and ELV dimming only at 120 Vac
- Protections: output open load, over-current and short-circuit (hiccup), and over-temperature with auto recovery
- Conducted and radiated EMI: Compliant with FCC CFR Title 47 Part 15 Class B (120 Vac)/Class A (277 Vac) and EN55015 (CISPR 15) at 220/230/240 Vac
- Complies with ENERGY STAR® luminaire specification and with DLC (Design Light Consortium®) technical requirements
- Class 2 power supply

Nominal Input Voltage	Max. Output Power	Output Voltage	Output Current	Efficiency	Max. Case Temperature	THD	Power Factor	Dimming Method	Dimming Range	Startup Time
120 to 277 Vac	120 W	30 to 84 Vdc	1050 to 3000 mA Constant Current	up to 87% typical	90°C (measured at the hot spot)	< 20%	> 0.9	Forward-Phase, Reverse-Phase & 0-10 V	1 to 100% (% of Iout)	400 ms typical

Typical Application Diagram



Features

- Compatible with TRIAC (forward-phase or leading-edge), ELV (reverse-phase or trailing-edge) and 0-10 V dimmers
- TRIAC and ELV dimming only at 120 Vac
- Outdoor surge protection: 3 kV line to line/6 kV line to earth
- Linear 0-10 V dimming transfer function: 10V=100%, 1V=10%, 0.1V=1%
- Protections: output open load, over-current and short-circuit (hiccup), and over-temperature with auto recovery
- Conducted and radiated EMI: Compliant with FCC CFR Title 47 Part 15 Class B (120 Vac)/Class A (277 Vac) and EN55015 (CISPR 15) at 220/230/240 Vac
- Complies with ENERGY STAR® luminaire specification and with DLC (Design Light Consortium®) technical requirements
- IP20-rated Bottom Leads with Studs metal case with silicone-based potting
- Optional IP64 metal case with side leads
- Lifetime: 50,000 hours at 70°C case temperature
- 90°C maximum case temperature
- Class 2 power supply (only some models)

ERP Part Number	Nominal Input Voltage (Vac)	Iout (mA)	Max. Output Power (W)	Output Voltage Range (Vdc)	
				min.	max.
EVM060W: up to 60 W					
EVM060W-1400-42-COB	120 to 277	1400	58.8	30	42
EVM060W-1400-42-Z1B ⁽¹⁾	120 to 277	1400	58.8	30	42
EVM080W: 60 to 80 W					
EVM080W-1750-42	120 to 277	1750	73.5	30	42
EVM080W-1750-42-Z1B ⁽¹⁾	120 to 277	1750	73.5	30	42
EVM080W-1900-42	120 to 277	1900	79.8	30	42
EVM090W: 81 to 90 W					
EVM090W-1050-84 ⁽²⁾	120 to 277	1050	88.2	70	84
EVM090W-1700-48-N1B ⁽²⁾	120 to 277	1700	81.6	37	48
EVM090W-2000-42	120 to 277	2000	84.0	30	42
EVM090W-2000-42-Z1B ⁽¹⁾	120 to 277	2000	84.0	30	42
EVM100W: 91 to 100 W					
EVM100W-1200-80 ⁽²⁾	120 to 277	1200	96.0	66	80
EVM100W-1200-84 ⁽²⁾	120 to 277	1200	100.8	70	84
EVM100W-2100-45	120 to 277	2100	94.5	32	45
EVM110W: 101 to 110 W					
EVM110W-2000-52-N1B ⁽²⁾⁽⁴⁾	120 to 277	2000	104.0	40	52
EVM110W-2500-42 ⁽²⁾	120 to 277	2500	105.0	30	42
EVM120W: 111 to 120 W					
EVM120W-2700-42 ⁽²⁾	120 to 277	2700	113.4	30	42
EVM120W-3000-40 ⁽²⁾	120 to 277	3000	120.0	30	40

1. The EVMxxxW-xxxx-42-Z1B exhibits a non-linear 0-10V Dimming Profile (10V to 9.1V=100%, 1V to 0.8V=1%, <0.8V dim-to-off).
2. Not class 2.
3. The EVM090W-1700-48-N1B is specifically intended to drive the Cree LMH2 6000 module and exhibits a customized 0-10V dimming transfer function.
4. The EVM110W-2000-52-N1B is specifically intended to drive the Cree LMH2 8000 module and exhibits a customized 0-10V dimming transfer function.

For additional options of output current and output voltage, contact your sales representative or send an email to: SaveEnergy@ERP-Power.com

Applications

- High Bay Lights • Industrial LED Lighting • Metal Halide replacement
- Tunnels and street lighting • Outdoor LED Lighting
- Wide-area downlights
- Suitable for driving high current COB LEDs such as Cree's CXA3050/3070/2590/3590, Bridgelux' Vero series and modules such as Cree's LMH2 6000/8000

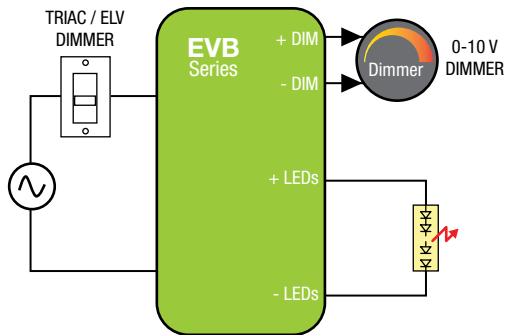


EVb SERIES 70 W - 120 W

Constant Current, Single/Dual/Triple Channel LED Drivers
with Tri-Mode Dimming™ (TRIAC, ELV and 0-10 V)

Nominal Input Voltage	Max. Output Power	Output Voltage	Output Current	Efficiency	Max. Case Temperature	THD	Power Factor	Dimming Method	Dimming Range	Startup Time
120 to 277 Vac	120 W	30 to 42 Vdc	1800 to 2300 mA Constant Current	up to 87% typical	90°C (measured at the hot spot)	< 20%	> 0.9	Forward-Phase, Reverse-Phase & 0-10 V	1 to 100% (% of Iout)	400 ms typical

Typical Application Diagram



Features

- Compatible with TRIAC (forward-phase or leading-edge), ELV (reverse-phase or trailing-edge) and 0-10 V dimmers
- TRIAC and ELV dimming only at 120 Vac
- Outdoor surge protection: 3 kV line to line/6 kV line to earth
- Linear 0-10 V dimming transfer function: 10V=100%, 1V=10%, 0.1V=1%
- Can also be offered with two and three channels
- Protections: output open load, over-current and short-circuit (hiccup), and over-temperature with auto recovery
- Conducted and radiated EMI: Compliant with FCC CFR Title 47 Part 15 Class B (120 Vac)/Class A (277 Vac) and EN55015 (CISPR 15) at 220/230/240 Vac
- Complies with ENERGY STAR® luminaire specification and with DLC (Design Light Consortium®) technical requirements
- IP66-rated case with silicone-based potting
- Lifetime: 50,000 hours at 70°C case temperature
- 90°C maximum case temperature
- Class 2 power supply (some models only)

ERP Part Number	Nominal Input Voltage (Vac)	Iout (mA)	Max. Output Power (W)	Output Voltage Range (Vdc)	
				min.	max.
EVb080W: up to 80 W					
EVb080W-1800S-42	120 to 277	1800	75.6	30	42
EVb100W: 91 to 100 W					
EVb100W-2300S-40	120 to 277	2300	92	30	40

For additional options of output current and output voltage, contact your sales representative or send an email to: SaveEnergy@ERP-Power.com

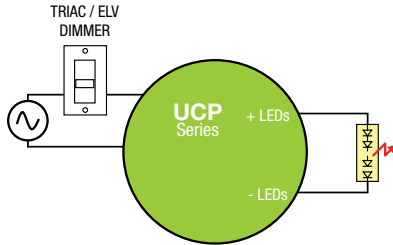
Applications

- Industrial LED Lighting
- Troffers
- Tunnels and Street lighting



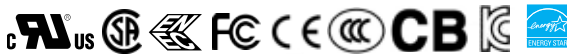
Nominal Input Voltage	Max. Output Power	Output Voltage	Output Current	Efficiency	Max. Case Temperature	THD	Power Factor	Dimming Method	Dimming Range	Startup Time
120 Vac	17.3 W	11 to 36 Vdc	120 to 480 mA Constant Current	up to 87% typical	90°C	< 20%	> 0.9	TRIAC & ELV	1 to 100%	200 ms

Typical Application Diagram



ERP Part Number	Nominal Input Voltage (Vac)	Max. Output Power (W)	Iout (mA)	Output Voltage Range (Vdc)	
				min.	max.
UCP05: up to 5 W					
UCP05U-120-36	120	4.3	120	28	36
UCP10: >5 to 10 W					
UCP10U-350-16	120	5.6	350	11	16
UCP10U-240-36	120	8.6	240	28	36
UCP15: >10 to 15 W					
UCP15U-350-30	120	10.5	350	24	30
UCP15U-360-36	120	13.0	360	28	36
UCP20: >15 to 16 W					
UCP20U-480-36	120	17.3	480	28	36

For additional options of output current and output voltage, contact your sales representative or send an email to: SaveEnergy@ERP-Power.com



Features

- Low profile of 16.5 mm
- Compatible with industry standard TRIAC (forward-phase or leading-edge) and ELV (reverse-phase or trailing-edge)
- 1% to 100% dimmable output
- Very short startup time of 200 ms
- Active power factor correction (PF) > 0.9 and THD < 20%
- Protections: output open load, over-current and short-circuit (hiccup), and over-temperature with auto recovery
- Conducted and radiated EMI: compliant with FCC CFR Title 47 Part 15 Class B
- Complies with ENERGY STAR® luminaire specification and with DLC (Design Light Consortium®) technical requirements
- 90°C maximum case temperature
- Lifetime: 50,000 hours at 70°C case temperature

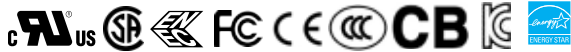
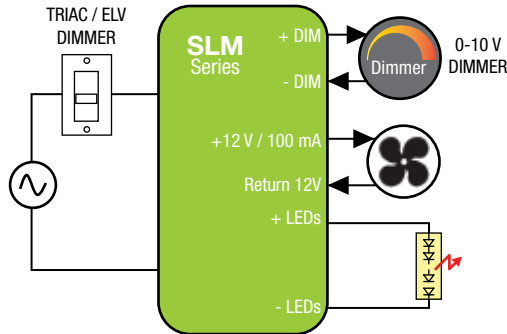
Applications

- Undercabinet Lighting



Nominal Input Voltage	Max. Output Power	Output Voltage	Output Current	Efficiency	Max. Case Temperature	THD	Power Factor	Dimming Method	Dimming Range	Startup Time
120 to 277 Vac	160 W	28 to 130 Vdc	1.0 to 4.4 A Constant Current	up to 90% typical	90°C (measured at the hot spot)	< 20%	> 0.9	Forward-Phase, Reverse-Phase & 0-10 V	1 to 100% (% of Iout)	0.5 sec

Typical Application Diagram



Features

- Compatible with TRIAC (forward-phase or leading-edge), ELV (reverse-phase or trailing-edge), and 0-10 V dimmers
- +12 V/100 mA auxiliary output to power external fan, motion or ambient light sensor, or wireless module
- Protections: output open load, over-current and short-circuit (hiccup), and over-temperature with auto recovery
- Conducted and radiated EMI: Compliant with FCC CFR Title 47 Part 15 Class A (120 Vac and 277 Vac)
- Complies with ENERGY STAR® luminaire specification and with DLC (Design Light Consortium®) technical requirements
- IP66-rated case with silicone-based potting
- 90°C maximum case hot spot temperature
- Lifetime: 50,000 hours at 70°C case temperature

ERP Part Number	Nominal Input Voltage (Vac)	Max. Output Power (W)	Iout (mA)	Output Voltage Range (Vdc)	
				min.	max.
SLM90W: up to 90 W					
SLM90W-1.05-84-ZA ⁽¹⁾	120 to 277	88.2	1050	60	84
SLM90W-2.1-42-TC ⁽¹⁾	120 to 277	88.2	2100	30	42
SLM100W: 91 to 100 W					
SLM100W-1.7-56-TA ⁽²⁾	120 to 277	95.2	1700	40	56
SLM120W: 111 to 120 W					
SLM120W-2.0-56-TA ⁽²⁾	120 to 277	112.0	2000	40	56
SLM120W-2.8-42-XA ⁽³⁾	120 to 277	117.6	2800	30	42
SLM150W: 141 to 150 W					
SLM140W-1.05-130-ZA ⁽⁴⁾	120 to 277	136.5	1050	90	130
SLM160W: 151 to 160 W					
SLM160W-1.0-160-ZA ⁽⁴⁾	120 to 277	160	1000	129	160
SLM160W-2.8-56-ZA ⁽⁴⁾	120 to 277	156.8	2800	40	56
SLM160W-3.7-42-XA ⁽³⁾	120 to 277	155.4	3700	30	42
SLM160W-3.9-40-ZA ⁽⁴⁾	120 to 277	156.0	3900	30	40
SLM160W-4.4-36-ZA ⁽⁴⁾	120 to 277	158.4	4400	28	36

1. T: Tri-mode dimming (1-100%), C: 1kV /2kV surge protection & IP64
2. T: Tri-mode dimming (1-100%), A: 4kV/6kV surge protection & IP66
3. X: No dimming, A: 4kV/6kV surge protection & IP66
4. Z: 0-10V dimming only (1-100%), A: 4kV/6kV surge protection & IP66

For additional options of output current and output voltage, contact your sales representative or send an email to: SaveEnergy@ERP-Power.com

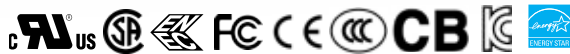
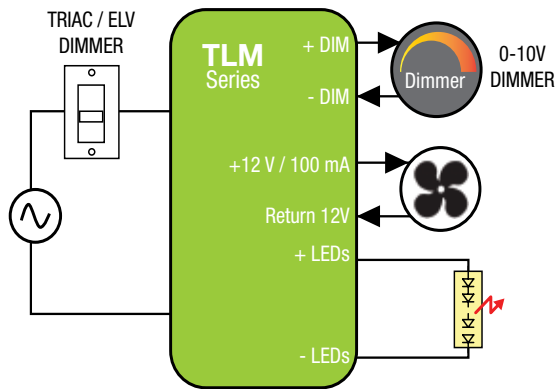
Applications

- Street and Area lighting
- Horticulture
- High bay lights
- Low bay lights



Nominal Input Voltage	Max. Output Power	Output Voltage	Output Current	Efficiency	Max. Case Temperature	THD	Power Factor	Dimming Method	Dimming Range	Startup Time
120 to 277 Vac, 220 to 240 Vac	160 W	68 to 85 Vdc	1.8 A Constant Current	up to 90% typical	90°C (measured at the hot spot)	< 20%	> 0.9	Forward-Phase, Reverse-Phase & 0 - 10V	0.01 to 100% (% of Iout)	0.5 sec

Typical Application Diagram



Features

- Dimming range: 0.01% – 100% with ETC, Leprecon and Elation stage lighting AC phase dimmers
- +12 V/100 mA auxiliary output to power external fan
- TLMxxxW: TRIAC and ELV dimming only at 120 Vac
- TLMxxxE: TRIAC and ELV dimming only at 230 Vac
- Conducted and radiated EMI: Compliant with FCC CFR Title 47 Part 15 Class A at 120 Vac & 277 Vac and EN55015 (CISPR 15) at 220/230/240 Vac
- Complies with ENERGY STAR® luminaire specification and DLC (Design Light Consortium®) technical requirements
- IP66-rated case with silicone-based potting
- 90°C maximum case hot spot temperature

ERP Part Number	Nominal Input Voltage (Vac)	Iout (mA)	Max. Output Power (W)	Output Voltage Range (Vdc)	
				min.	max.
TLM160W: 151 to 160 W					
TLM160W-1.8-85	120 to 277	1800	153.0	68	85
TLM160E: 151 to 160 W					
TLM160E-1.8-85	220 to 240	1800	153.0	68	85

For additional options of output current and output voltage, contact your sales representative or send an email to: SaveEnergy@ERP-Power.com

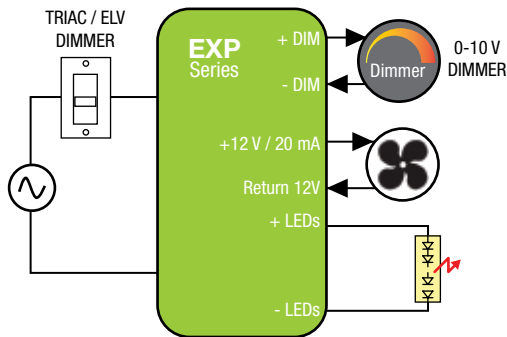
Applications

- Stage lighting
- Studio Lighting



Nominal Input Voltage	Max. Output Power	Output Voltage	Output Current	Auxiliary Output	Efficiency	Max. Case Temperature	THD	Power Factor	Dimming Method	Dimming Range	Startup Time
120 to 277 Vac	44.1 W	30 to 42 Vdc	700 to 1050 mA Constant Current	+12 V / 20 mA max	up to 82% typical	90°C (measured at the hot spot)	< 20%	> 0.9	Forward-Phase, Reverse-Phase & 0-10 V	1 to 100% (% of Iout)	300 ms typical

Typical Application Diagram



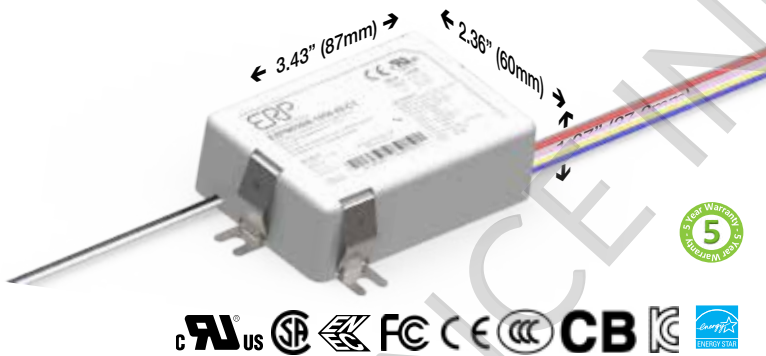
ERP Part Number	Nominal Input Voltage (Vac)	Iout (mA)	Max. Output Power (W)	Output Voltage Range (Vdc)	
				min.	max.
EXPN030W: 21 to 30 W					
EXPN030W-0700-42-Z1 ⁽¹⁾	120 to 277	700	29.4	30	42
EXPN050W: 41 to 50 W					
EXPN050W-1050-42-Z1 ⁽¹⁾	120 to 277	1050	44.1	30	42

1. The ESPNxxxW-xxxx-42-Z1 exhibits a non-linear 0-10V Dimming Profile (10V to 9.1V=100%, 1V to 0.8V=1%, <0.8V dim-to-off).

For additional options of output current and output voltage, contact your sales representative or send an email to: SaveEnergy@ERP-Power.com

Applications

- Recessed lighting (downlights)
- Commercial & Residential lighting
- Architectural lighting

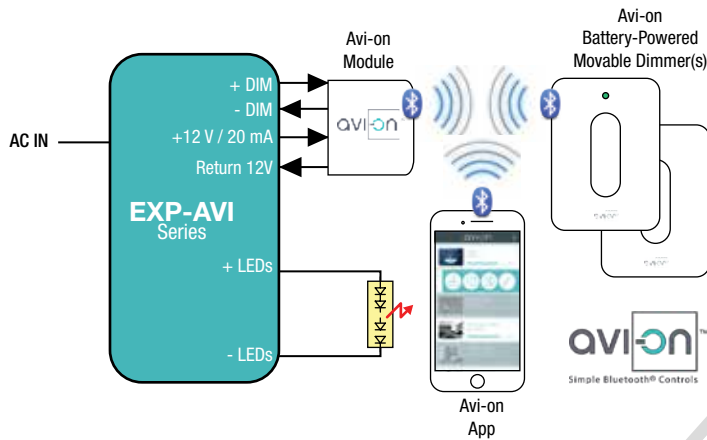


Features

- Auxiliary output of +12 V with 20 mA max output current to drive external fan, motion or light sensor, etc...
- 0-10 V dimming profile: 10V - 9.1V = 100%, 1V to 0.8V = 1%, <0.8V = dim to off
- Dims to off
- TRIAC and ELV dimming only at 120 Vac
- Protections: output open load, over-current and short-circuit (hiccup), and over-temperature with auto recovery
- Complies with ENERGY STAR® luminaire specification and DLC (Design Light Consortium®) technical requirements
- IP64-rated case with silicone-based potting
- 90°C maximum case hot spot temperature
- Class 2 power supply

Nominal Input Voltage	Max. Output Power	Output Voltage	Output Current	Efficiency	Max. Case Temperature	THD	Power Factor	Dimming Method	Dimming Range	Startup Time
120 to 277 Vac	44.1 W	30 to 42 Vdc	700 to 1050 mA Constant Current	up to 82% typical	90°C (measured at the hot spot)	< 20%	> 0.9	Bluetooth®	1 - 100% (% of Iout)	300 ms typical

Typical Application Diagram



ERP Part Number	Nominal Input Voltage (Vac)	Iout (mA)	Max. Output Power (W)	Output Voltage Range (Vdc)	
				min.	max.
EXPN030W: 21 to 30 W with Bluetooth® Mesh Module from Avi-on Labs					
EXPN030W-0700-42-AVI	120 to 277	700	29.4	30	42
EXPN050W: 41 to 50 W with Bluetooth® Mesh Module from Avi-on Labs					
EXPN050W-1050-42-AVI	120 to 277	1050	44.1	30	42

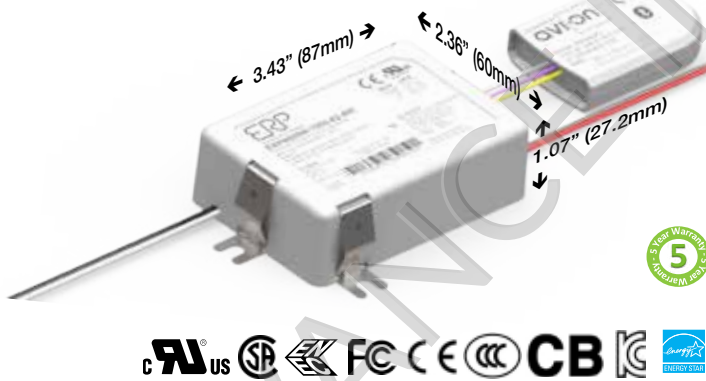
For additional options of output current and output voltage, contact your sales representative or send an email to: SaveEnergy@ERP-Power.com

Avi-on Bluetooth® Mesh Solution

- Wireless lighting controls with simple set-up that anyone can use
- Pre-integrated Bluetooth® Smart + CSRmesh module enables brands to create multi-way controls and switching without additional wiring; no central gateway required
- Utility grade, secure, reliable mobile app & software
- Dimming, grouping, many users, schedules, timers
- Virtually unlimited range with mesh
- Download for free, additional services available
- Compatible with large ecosystem of products from major brands
- Avi-on battery-powered movable dimming switches available to complete the turnkey solution

Applications

- Recessed lighting (downlights)
- Commercial & Residential lighting
- Architectural lighting



Features

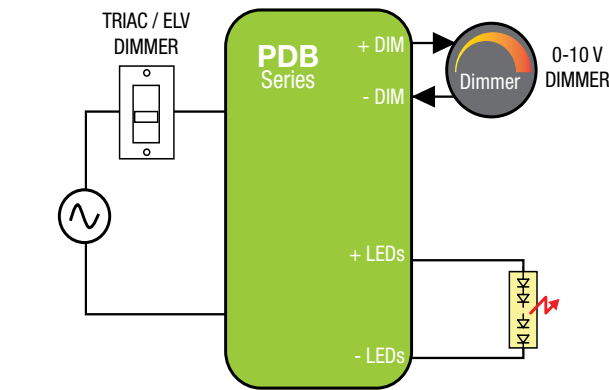
- EXPN-AVI serie incorporates a fully compliant Bluetooth® Smart Mesh module from Avi-on labs (www.avi-on.com)
- Complies with ENERGY STAR® luminaire specification and DLC (DesignLight Consortium®) technical requirements
- Dims to off
- 90°C maximum case temperature
- Class 2 power supply

PDB260 SERIES 150 W - 260 W

Programmable IP66 Constant Current LED Driver
with 0-10 V Dimming and 1-100% Dimming Range

Nominal Input Voltage	Max. Output Power	Output Voltage	Output Current	Efficiency	Max. Case Temperature	THD	Power Factor	Dimming Method	Dimming Range	Startup Time
120 to 277 Vac	260 W	114 to 400 Vdc	325 to 1700 mA Constant Current	up to 93% typical	90°C (measured at the hot spot)	< 20%	> 0.9	0-10 V	1 - 100% (% of Iout)	0.75 sec

Typical Application Diagram



ERP Part Number	Nominal Input Voltage (Vac)	Max. Output Power (W)	Iout 1 (mA)	Vout 1 (Vdc)	Iout 2 (mA)	Vout 2 (Vdc)
PDB260W: 150 to 260 W						
PDB260W-0860-400	120 to 277	260.0	325 to 650	304 to 400	430 to 860	228 to 300
PDB260W-1300-280	120 to 277	260.0	465 to 930	213 to 280	650 to 1300	152 to 200
PDB260W-1700-210	120 to 277	260.0	620 to 1240	160 to 210	850 to 1700	114 to 150

For additional options of output current and output voltage, contact your sales representative or send an email to: SaveEnergy@ERP-Power.com

Programming

- Dual output voltage range selection (only for dual range models)
- Serial port programming
 - Current: 100% to 50% in each voltage range
 - Maximum output voltage
 - Data log read: SKU, S/N, lot code, hours of operation, FW rev., fault events: power failure, transients (short or surge), thermal events

Options

- Ripple <10% @ 120 Hz and <8% @ 120 Hz (IEEE1789)
- Auxiliary output: up to 24 V / down to 3.3 V / up to 500 mA
- Alternate 0-10V dimming profiles: Linear, Logarithmic, Ballast type Mark7 (IEC60929, ANSI C82.11)
- Energy metering (as part of future software upgrade)

Applications

- Street lighting
- Industrial LED Lighting
- Outdoor Lighting
- Wide-area Lighting
- Tunnels lighting

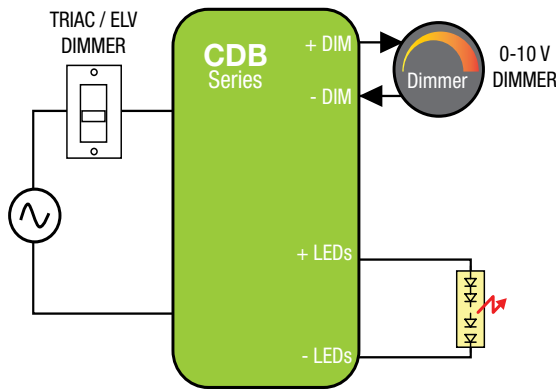


Features

- Non-linear 0-10 V dimming profile with dim-to-off (10 V to 9.1 V=100%, 1.5 V to 0.6 V=1%, <0.6 V=dim-to-off)
- Auxiliary output 12 V/100 mA
- IP66-rated case with silicone-based potting
- Surge protection:
 - Combination wave IEC61000-4-5: 4 kV line to line/4 kV line to earth
 - 2.5 kV ring wave: ANSI/IEEE c62.41.1-2002 & c62.41.2-2002 category A
- Ripple: 25%
- Protections: Output open load, over-current and short-circuit (hiccup), over-power, over-temperature with foldback and auto-recovery
- Conducted and radiated EMI: Compliant with FCC CFR Title 47 Part 15 Class A at 120 Vac & 277 Vac and EN55015 (CISPR 15) at 220/230/240 Vac
- Lifetime: 50,000 hours at 70°C case temperature
- 90°C maximum case temperature

Nominal Input Voltage	Max. Output Power	Output Voltage	Output Current	Efficiency	Max. Case Temperature	THD	Power Factor	Dimming Method	Dimming Range	Startup Time
120 to 277 Vac	260 W	114 to 400 Vdc	325 to 1700 mA Constant Current	up to 93% typical	90°C (measured at the hot spot)	< 20%	> 0.9	0-10 V	1 to 100% (% of Iout)	0.75 sec

Typical Application Diagram



ERP Part Number	Nominal Input Voltage (Vac)	Max. Output Power (W)	Iout 1 (mA)	Vout 1 (Vdc)	Iout 2 (mA)	Vout 2 (Vdc)
CDB260W: 150 to 260 W						
CDB260W-0860-400	120 to 277	260.0	325 to 650	304 to 400	430 to 860	228 to 300
CDB260W-1300-280	120 to 277	260.0	465 to 930	213 to 280	650 to 1300	152 to 200
CDB260W-1700-210	120 to 277	260.0	620 to 1240	160 to 210	850 to 1700	114 to 150

For additional options of output current and output voltage, contact your sales representative or send an email to: SaveEnergy@ERP-Power.com

Programming

- Dual output voltage range selection (only for dual range models)
- Serial port programming
 - Current: 100% to 50% in each voltage range
 - Maximum output voltage
 - Data log read: SKU, S/N, lot code, hours of operation, FW rev., fault events: power failure, transients (short or surge), thermal events

Communication

- Bi-directional (dimming and data log read)
- Available communication protocols:
 - First: Bluetooth Mesh with & w/o external antenna
 - Next: DALI, ZigBee (with & w/o external antenna), DMX
 - Other IEEE802.15.4 protocols available upon request

Options

- Ripple <10% @ 120 Hz and <8% @ 120 Hz (IEEE1789)
- Auxiliary output: up to 24 V / down to 3.3 V / up to 500 mA
- Alternate 0-10V dimming profiles: Linear, Logarithmic, Ballast type Mark7 (IEC60929, ANSI C82.11)
- Energy metering (as part of future software upgrade)



Features

- Non-linear 0-10 V dimming profile with dim-to-off (10 V to 9.1 V=100%, 1.5 V to 0.6 V=1%, <0.6 V=dim-to-off)
- Auxiliary output 12 V/100 mA
- IP66-rated case with silicone-based potting
- Surge protection:
 - Combination wave IEC61000-4-5: 4 kV line to line/4 kV line to earth
 - 2.5 kV ring wave: ANSI/IEEE c62.41.1-2002 & c62.41.2-2002 category A
- Ripple: 25%
- Protections: Output open load, over-current and short-circuit (hiccup), over-power, over-temperature with foldback and auto-recovery
- Conducted and radiated EMI: Compliant with FCC CFR Title 47 Part 15 Class A at 120 Vac & 277 Vac and EN55015 (CISPR 15) at 220/230/240 Vac
- Lifetime: 50,000 hours at 70°C case temperature
- 90°C maximum case temperature

Applications

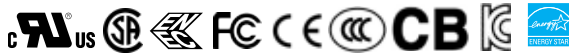
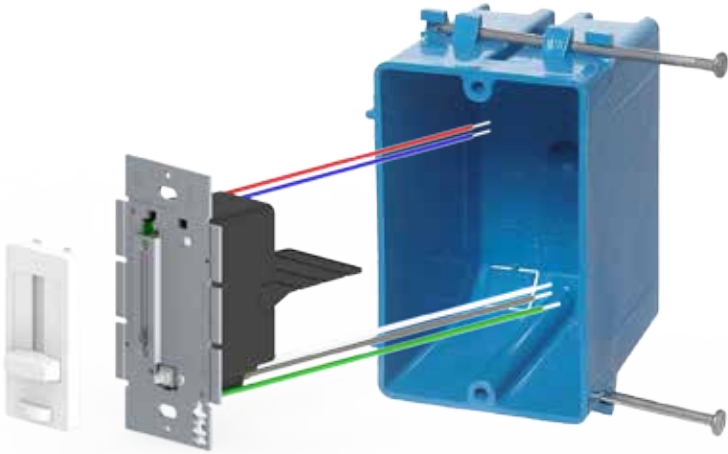
- Street lighting
- Industrial LED Lighting
- Outdoor Lighting
- Wide-area Lighting
- Tunnels lighting



Nominal Input Voltage	Max. Output Power	Output Voltage	Output Current Min	Output Current Max	Efficiency	Max. Ambient Temperature	THD	Power Factor	Dimming Range	Startup Time
120 Vac	100 W	12, 24 V Constant Voltage	0	4.2 A	up to 92% typical	40°C	< 20%	> 0.9	1 to 100%	500 ms typical

ERP Part Number	Pout Max (W)	Vout Nom (V)	Iout Max (A)
VSW40U-12-ERP	40	12	3.3
VSW60U-12-ERP	60	12	5
VSW60U-24-ERP	60	24	2.5
VSW100U-24-ERP	100	24	4.2

For additional options of output current and output voltage, contact your sales representative or send an email to: SaveEnergy@ERP-Power.com



Applications

- Track lights, downlights
- For tape/strip lights, under-cabinet lights, please contact Diode LED at <https://www.diodeled.com/switchex.html>



Features

- 100 W max in a single gang box
- Constant voltage option: 12 & 24 V, Maximum output current: 4.2 A
- Dimming is provided via a sliding button
- On/Off button
- Protections: output open load, over-current and short-circuit (hiccup), and over-temperature with auto recovery
- Conducted and radiated EMI: Compliant with FCC CFR Title 47 Part 15 Class B at 120 Vac
- Complies with ENERGY STAR® luminaire specification and with DLC (Design Light Consortium®) technical requirements
- 90°C maximum case hot spot temperature
- Class 2 power supply

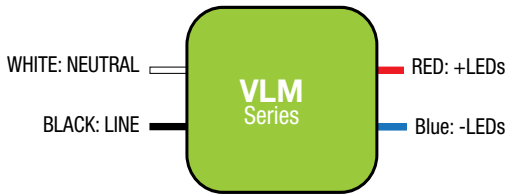


Nominal Input Voltage	Max. Output Power	Nominal Output Voltage	Max. Output Current	Efficiency	Max. Case Temperature	THD	Power Factor
120 to 277 Vac	60 W	12, 24, 48 Vdc	5, 2.5, 1.25 A	up to 93% typical	90°C (measured at the hot spot)	< 20%	>0.9

Typical Application Diagram



Wiring Diagram

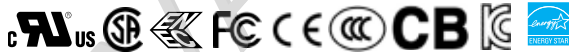
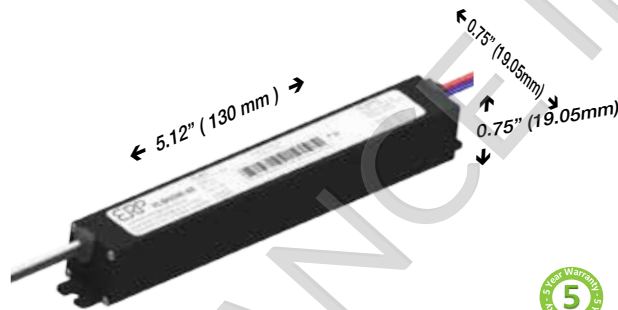


ERP Part Number	Nominal Input Voltage (Vac)	Pout Max (W)	Vout Nom (Vdc)	Iout Max (A)
VLM40W: 40 W				
VLM40W-12	120 to 277	40.0	12	3.3
VLM40W-24	120 to 277	40.0	24	1.65
VLM40W-48	120 to 277	40.0	48	0.8
VLM60W: 60 W				
VLM60W-12	120 to 277	40.0	12	5
VLM60W-24	120 to 277	40.0	24	2.5
VLM60W-48	120 to 277	40.0	48	1.25

For additional options of output current and output voltage, contact your sales representative or send an email to: SaveEnergy@ERP-Power.com

Applications

- Strip lights
- Pendant lights
- Linear lights



Features

- Very high power density of 20.8 W/in³
- IP20-rated case with silicone-based potting
- Complies with ENERGY STAR® luminaire specification and DLC (DesignLight Consortium®) technical requirements
- 90°C maximum case temperature
- Class 2 power supply
- Worldwide safety approvals

YOUR
DESIGNATED
DRIVER®



U.S.A. Headquarters
Tel: +1-805-517-1300
893 Patriot Drive, Suite E
Moorpark, CA 93021

CHINA Operations
Tel: +86-756-6266298
No. 8 Pingdong Road 2
Zhuhai, Guangdong,
China 519060

www.erp-power.com