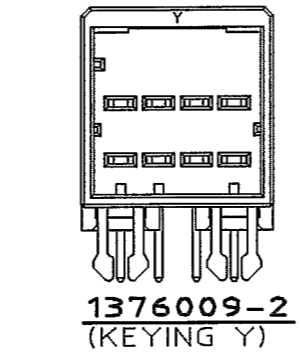
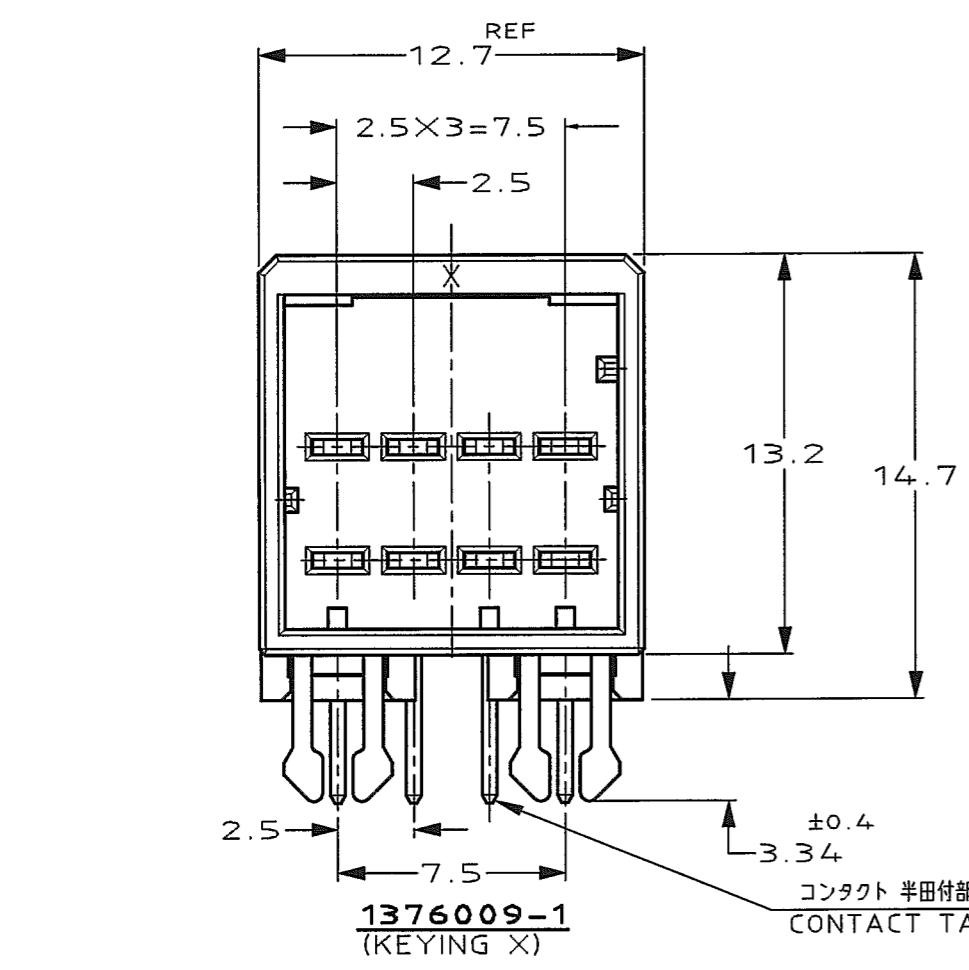
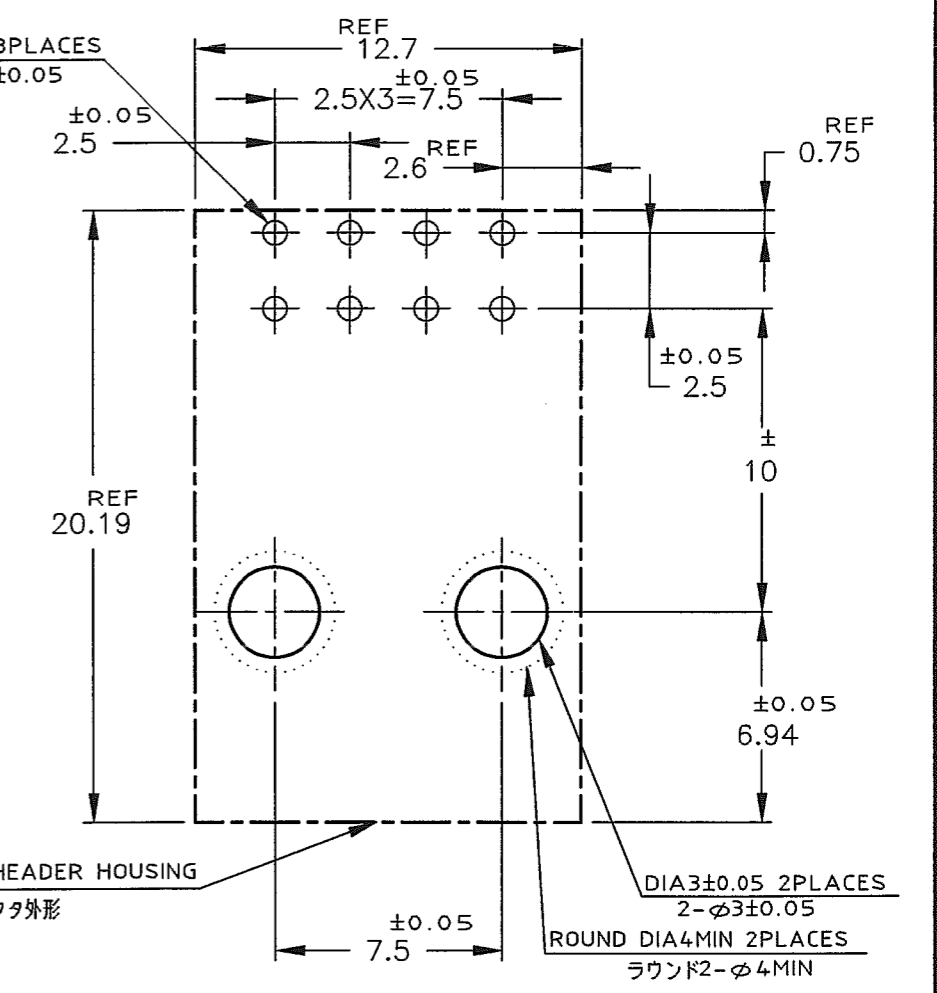
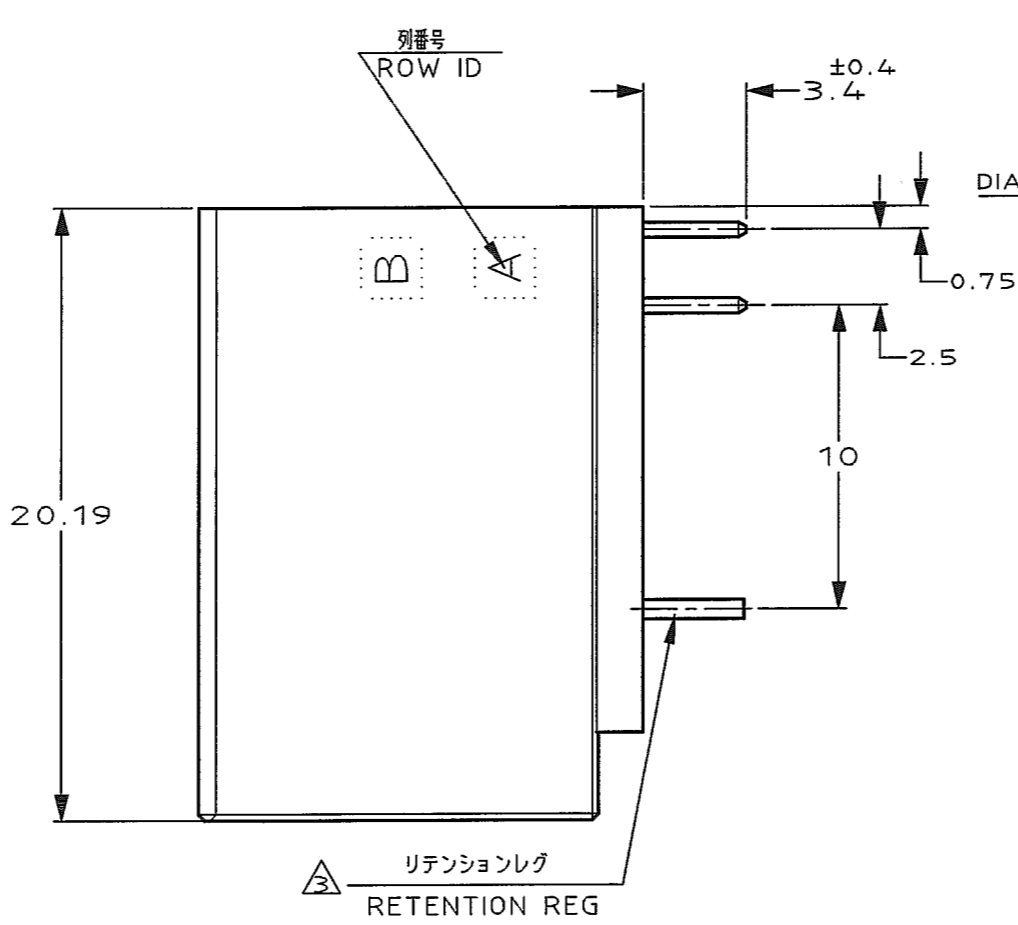
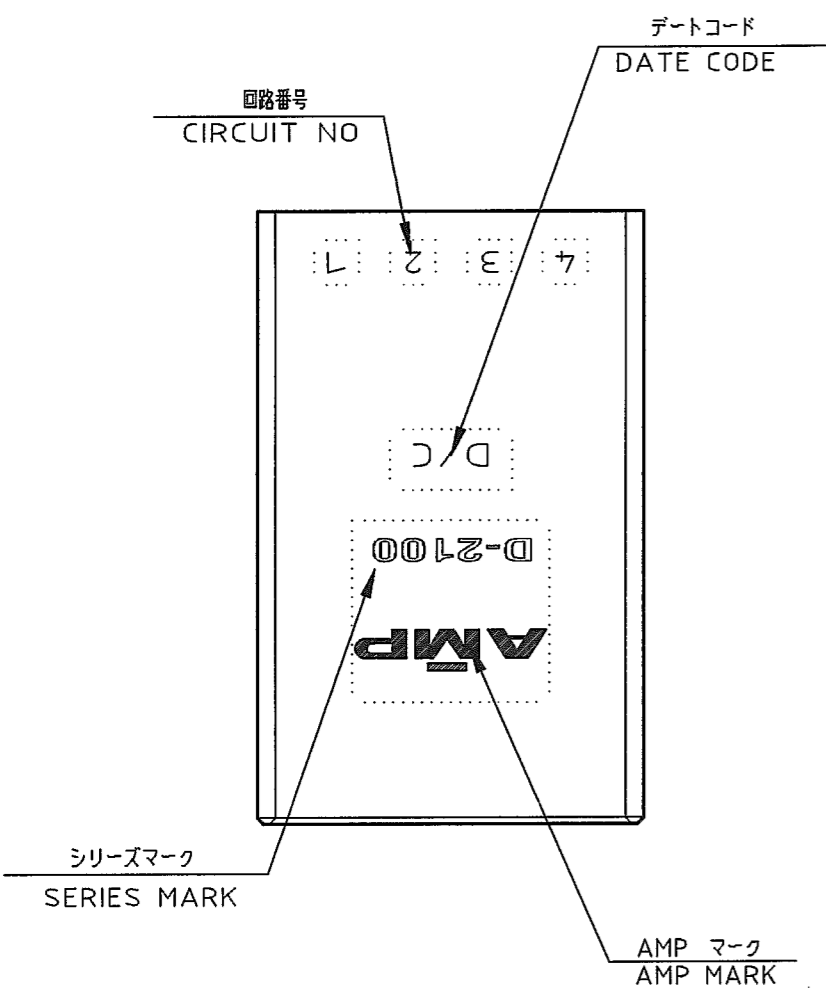


THIS DRAWING IS UNPUBLISHED. RELEASED FOR PUBLICATION, 1998
 © COPYRIGHT 1998 BY AMP INCORPORATED, ALL RIGHTS RESERVED.

LOC		DIST		REVISIONS				
J				変更				
P	LTR	DESCRIPTION		ECN	DATE	DWN	APVD	
	O	RELEASED		FJ00-1755-99	28.FEB.00	K.I.H		
	A	REVISED		FJ00-1802-02	5.SEP.02	T.S	S.M	
	B	REVISED		FJD0-0039-03	6/2 '03	T.S	S.M	



推奨基板取付け寸法 (公差: ±0.05)
 PC 基板厚: 1.6±0.3
 (コネクタ搭載面)

RECOMENDED PC BOARD HOLE PATTERN (TOL: ±0.05)
 PC BOARD THICKNESS: 1.6±0.3
 (CONNECTOR MOUNT SIDE)

NOTES

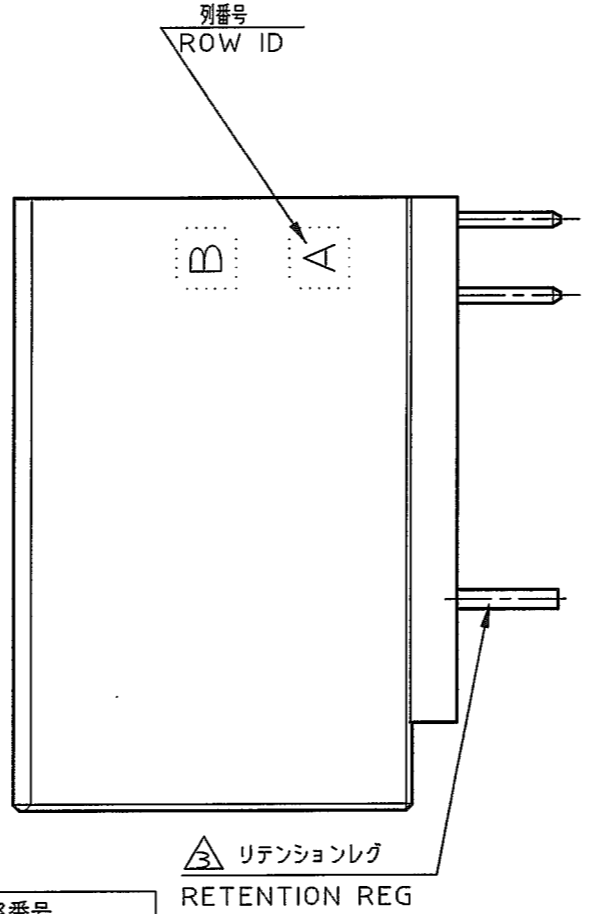
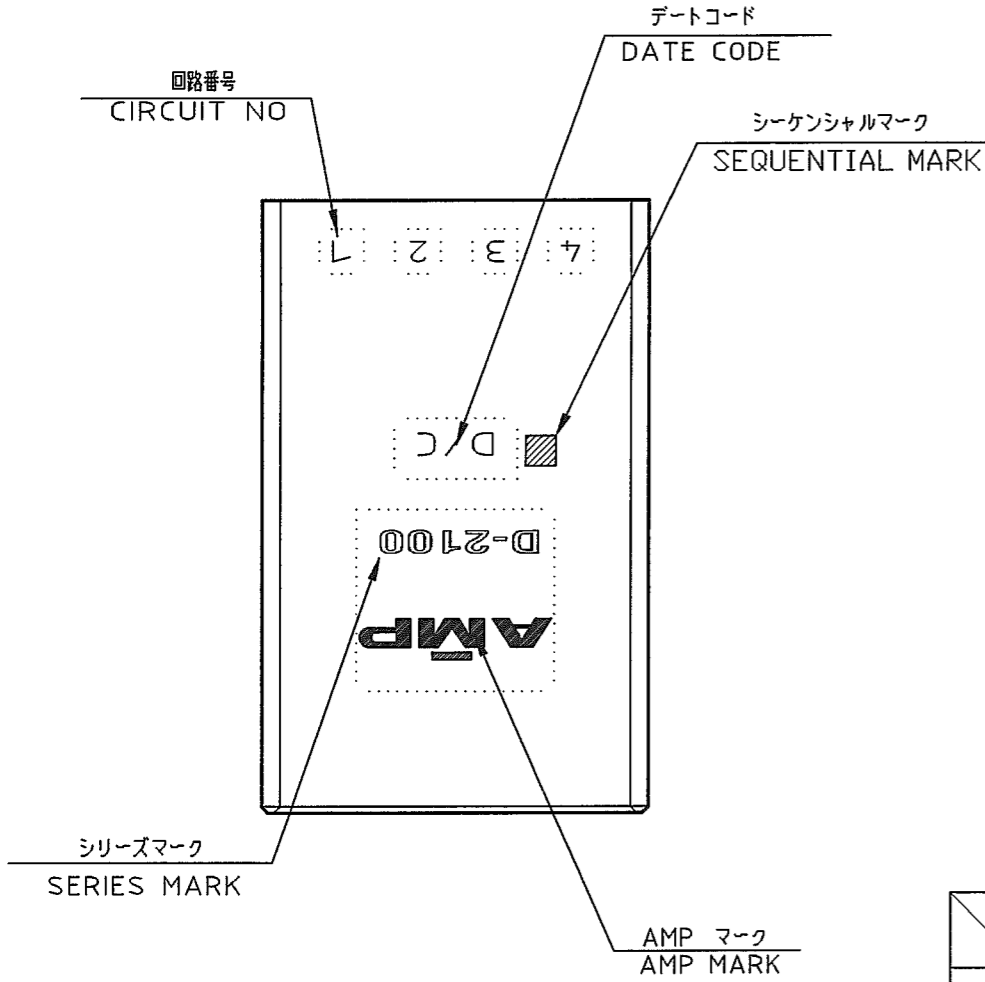
- MATERIAL: HOUSING: GLASS FILLED THERMO PLASTIC, POLYESTER (94V-0), COLOR: BLACK
 TAB CONTACT: COPPER ALLOY
 RETENTION LEG: BRASS
- FINISH (CONTACT AREA): 0.38μm MIN GOLD PLATING OVER Ni PLATING
- FINISH (RETENTION LEG): TIN PLATED (CONTACT TAIL) OVER NICKEL

注記

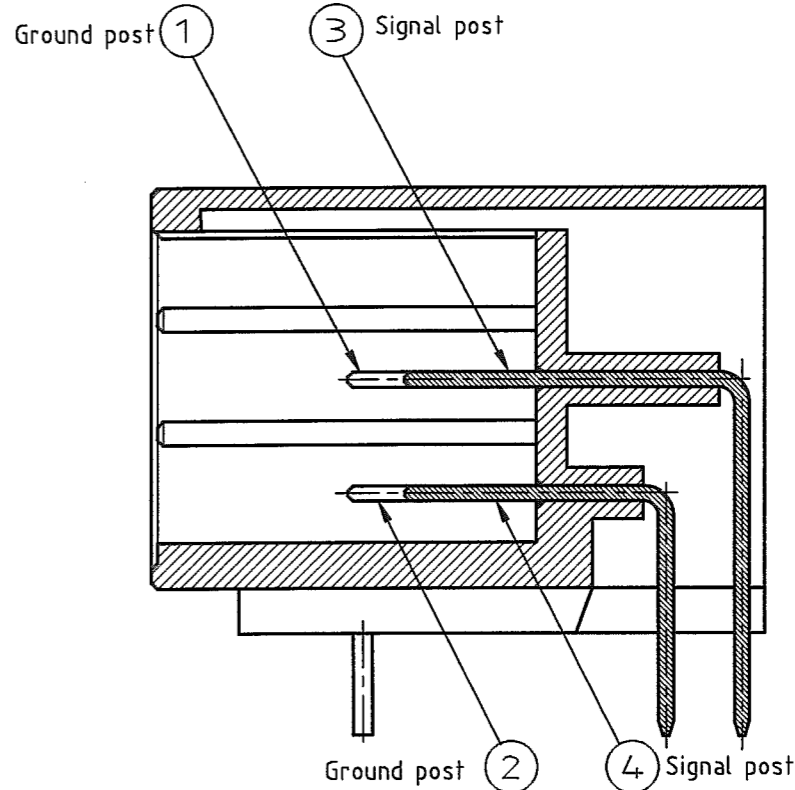
- 材料: ハウジング: ガラス入り熱可塑性ポリエステル樹脂 (94V-0), 色: 黒
 タブ コンタクト: 銅合金
 リテンション レグ: 黄銅
- めっき: コンタクト: 全面Ni下地
 接触部: 0.38μm MIN金めっき
- めっき: リテンションレグとコンタクト半田付部
 : ニッケル下地の上にスズめっき

THIS DRAWING IS A CONTROLLED DOCUMENT FOR AMP INCORPORATED. IT IS SUBJECT TO CHANGE AND THE CONTROLLING ENGINEERING ORGANIZATION SHOULD BE CONTACTED FOR THE LATEST REVISION.		CHK K.IKEDA 24/FEB/'00	DWN 24/FEB/'00			Tyco Electronics AMP K.K. Kawasaki, Japan	
DIMENSIONS: 単位 寸 mm		CHK Y.KATO 28/FEB/'00	APVD I.HASEGAWA 28/FEB/'00			NAME 2列 ヘッダーアセンブリー 8P (水平タイプ)	
TOLERANCES UNLESS OTHERWISE SPECIFIED		PRODUCT SPEC 108-5619		DOUBLE ROW HEADER ASS'Y 8P ("H"TYPE) <DYNAMIC D-2100D>			
MATERIAL 注記参照 SEE NOTES		APPLICATION SPEC 114-5258		SIZE A3		CAGE CODE 00779	DRAWING NO C-1376009
FINISH 注記参照 SEE NOTES		WEIGHT		RESTRICTED TO		SCALE 4-1	
CUSTOMER DRAWING				SHEET 1		OF 2	
				REV B			

LOC		DIST		REVISIONS						
J				P	LTR	DESCRIPTION	ECN	DATE	DWN	APVD
SEE 1 OF 2										



1-1376009-1; AS SHOWN SEQUENTIAL TYPE



SECT A-A

		回路番号			
		1	2	3	4
列番号	B	③ Signal	① Ground	③ Signal	③ Signal
	A	④ Signal	② Ground	④ Signal	④ Signal

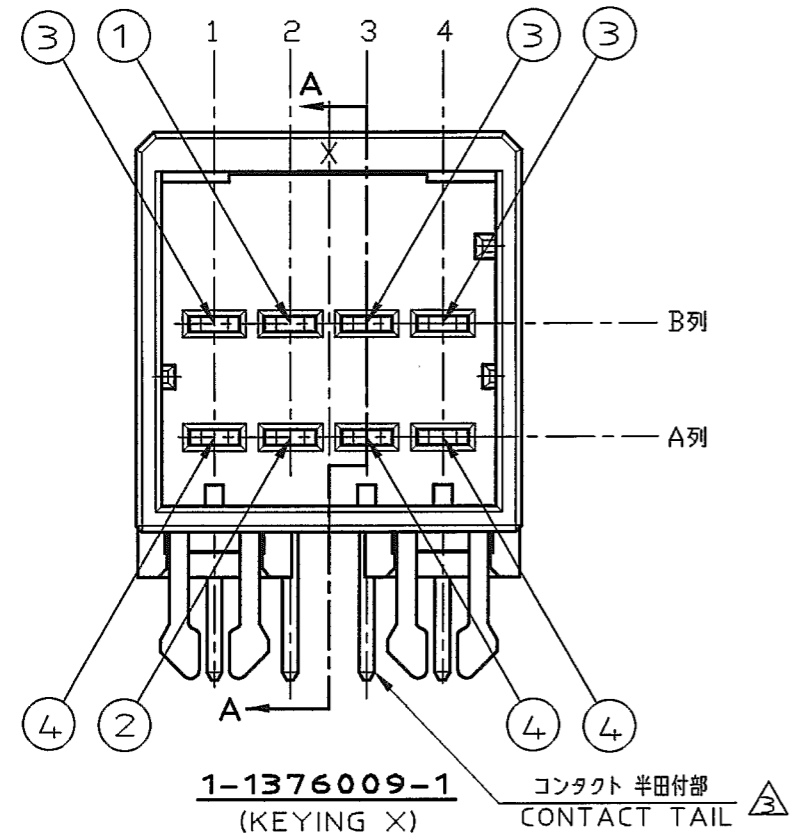
POINT OF SEQUENTIAL
1-1376009-1
 (KEYING X)

NOTES

- MATERIAL: HOUSING: GLASS FILLED THERMO PLASTIC POLYESTER(94V-0), COLOR: BLACK
 TAB CONTACT: COPPER ALLOY
 RETENTION LEG: BRASS
- FINISH (CONTACT AREA): 0.38μm MIN GOLD PLATING OVER NI PLATING
- FINISH (RETENTION LEG): TIN PLATED (CONTACT TAIL) OVER NICKEL

注記

- 材料: ハウジング: ガラス入り熱可塑性ポリエステル樹脂 (94V-0), 色: 黒
 タブ コンタクト: 銅合金
 リテンション レグ: 黄銅
- めっき: コンタクト: 全面Ni下地
 接触部: 0.38μm MIN金めっき
- めっき: リテンションレグとコンタクト半田付部
 : ニッケル下地の上にスズめっき



THIS DRAWING IS A CONTROLLED DOCUMENT FOR AMP INCORPORATED. IT IS SUBJECT TO CHANGE AND THE CONTROLLING ENGINEERING ORGANIZATION SHOULD BE CONTACTED FOR THE LATEST REVISION.		DWN K.IKEDA 24/FEB/'00	tyco Electronics		Tyco Electronics AMP K.K. Kawasaki, Japan	
DIMENSIONS: 単位 特 mm		CHK Y.KATO 28/FEB/'00	NAME 2列 ヘッダーアセンブリー 8P			
TOLERANCES UNLESS OTHERWISE SPECIFIED 一般公差 10% ±0.3 3% >10 ±0.35 10% >30 ±0.4 ANGLE ±3°		APVD I.HASEGAWA 28/FEB/'00	製品規格 108-5619			
MATERIAL 材料 注記参照 SEE NOTES		FINISH 仕上 注記参照 SEE NOTES	APPLICATION SPEC 取付適用規格 114-5258		DRAWING NO C=1376009	
		WEIGHT		SIZE A3	CAGE CODE 00779	RESTRICTED TO -
		CUSTOMER DRAWING		SCALE 4-1	SHEET 2 OF 2	REV B

Mouser Electronics

Authorized Distributor

Click to View Pricing, Inventory, Delivery & Lifecycle Information:

[TE Connectivity:](#)

[1376009-1](#)