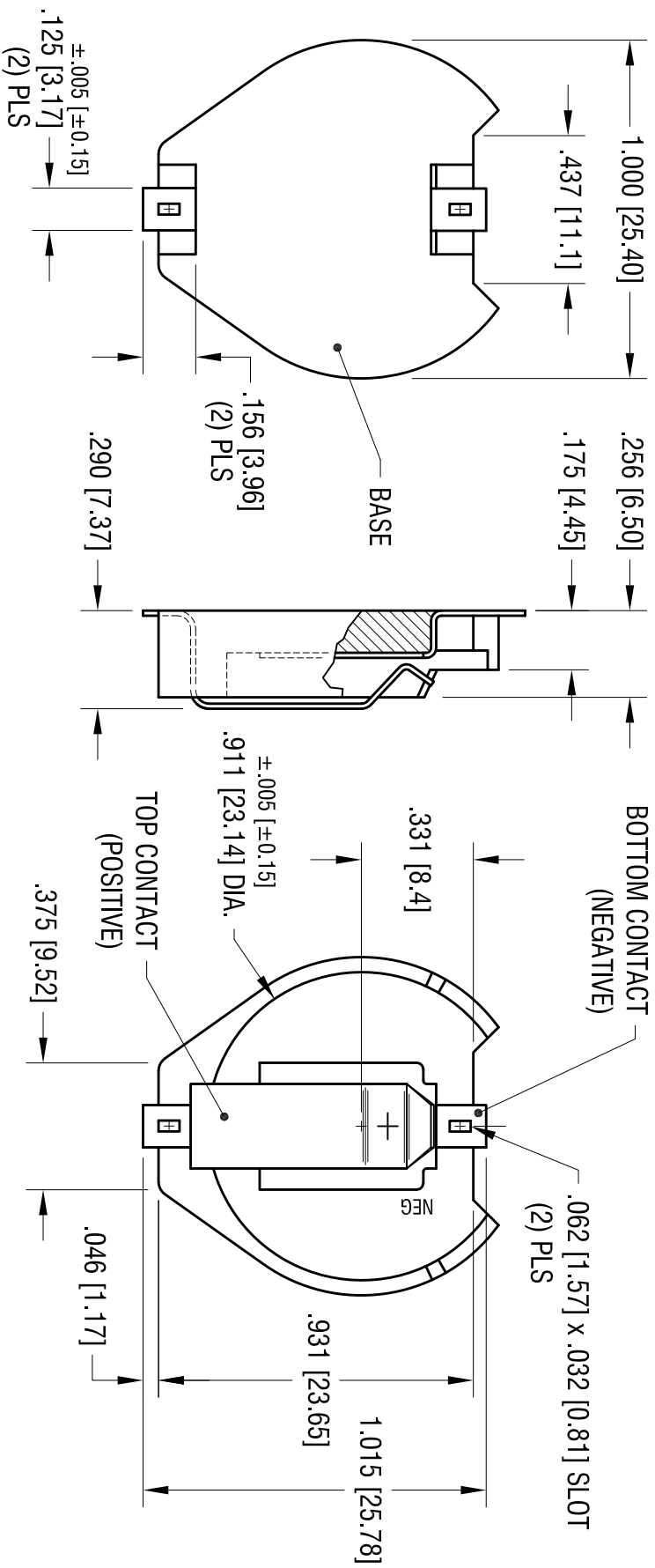
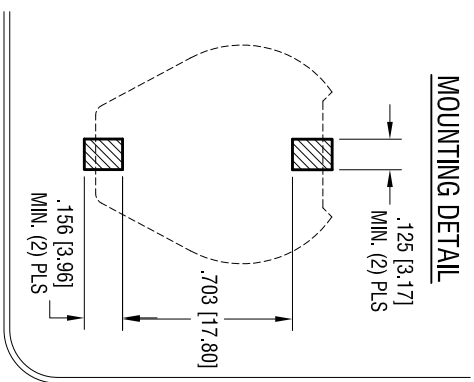
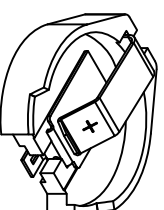


**MOUNTING DETAIL**



- NOTES:**
1. BASE:  
MAT'L - HIGH TEMPERATURE NYLON (UL 94V-0)
  2. CONTACTS (TOP AND BOTTOM):  
COLOR BLACK  
MAT'L - .015 [0.38] THK SPRING STEEL  
FINISH: GOLD FLASH PLATE



**ACTUAL SIZE**

DATE	DESCRIPTION	REV.
8.12.11	CHANGE AS PER ECN 11-104	A

<b>KEYSTONE ELECTRONICS CORP.</b>			
www.keystec.com • ASTORIA, N.Y. 11105-2017 • Tel (718) 956-8900			
<b>PART NAME</b>			
DUAL 23mm BATTERY HOLDER, SMT			
<b>MATERIAL</b>			
AS NOTED			
<b>FINISH</b>			
AS NOTED			
<b>TOLERANCES</b>		<b>INCH</b>	<b>[MM]</b>
DECIMAL	± .010	[ ± 0.25 ]	
ANGULAR	± 1°		
<b>UNLESS OTHERWISE SPECIFIED</b>		<b>CODE</b>	<b>DWG NO.</b>
		C	1091
<b>DRN BY</b>	<b>NT</b>	<b>DATE</b>	<b>3.19.09</b>
<b>APP'D</b>	<b>LN</b>	<b>SCALE</b>	<b>2X</b>

THIS DOCUMENT IS THE PROPERTY OF KEYSTONE ELECTRONICS CORP. AND SHALL NOT BE REPRODUCED, DISTRIBUTED OR USED AS A BASIS FOR MANUFACTURE WITHOUT PRIOR WRITTEN PERMISSION FROM KEYSTONE ELECTRONICS CORP.

# Mouser Electronics

Authorized Distributor

Click to View Pricing, Inventory, Delivery & Lifecycle Information:

[Keystone Electronics:](#)

[1091](#)