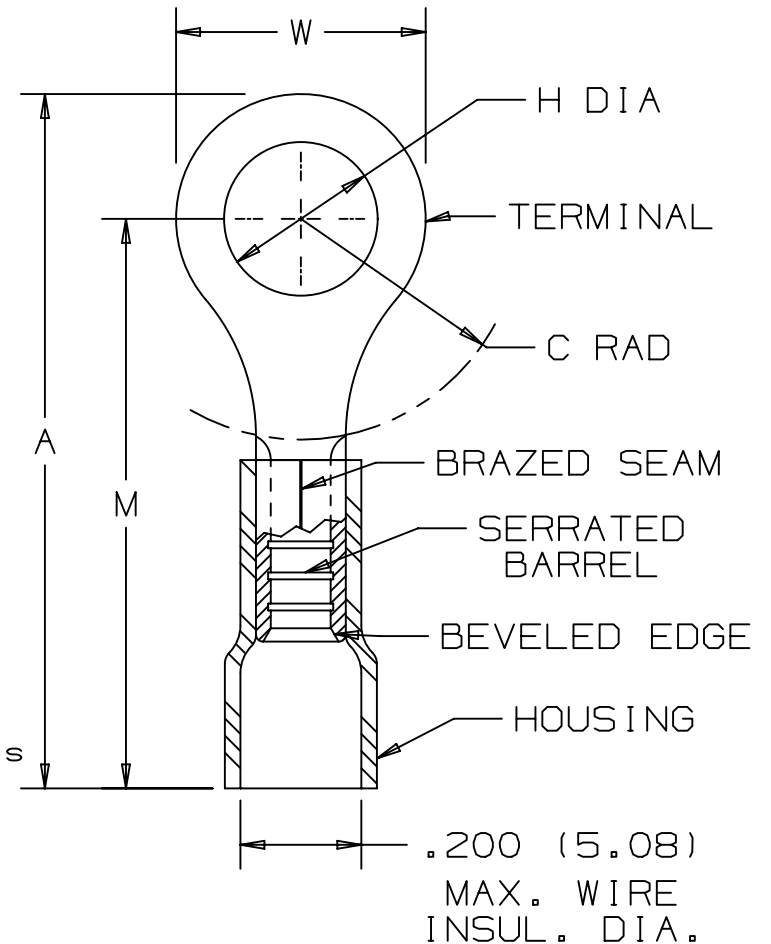


THIS COPY IS PROVIDED ON A RESTRICTED BASIS AND IS NOT TO BE USED IN ANY WAY DETRIMENTAL TO THE INTERESTS OF PANDUIT CORP.

PANDUIT PART NUMBER	STUD SIZE	DIMENSIONS in.				
		A ±.03	W ±.01	C ±.02	M ±.03	H ±.01
PV14-4RX	#4	.87 (22.0)	.25 (6.4)	.19 (4.8)	.75 (19.1)	.12 (3.0)
PV14-6RX	#6	.96 (24.4)	.31 (7.9)	.25 (6.4)	.81 (20.1)	.15 (3.8)
PV14-8RX	#8	.96 (24.4)	.31 (7.9)	.25 (6.4)	.81 (20.1)	.17 (4.3)
PV14-10RX	#10	.96 (24.4)	.31 (7.9)	.25 (6.4)	.81 (20.1)	.20 (5.1)
PV14-14RX	1/4"	1.16 (29.5)	.46 (11.7)	.37 (9.4)	.95 (24.1)	.27 (6.9)
PV14-56RX	5/16"	1.16 (29.5)	.46 (11.7)	.37 (9.4)	.95 (24.1)	.33 (8.4)
PV14-38RX	3/8"	1.25 (31.8)	.53 (13.5)	.42 (10.7)	.99 (25.1)	.39 (9.9)



Notes:

- U.L. Listed and CSA Certified for
 - 600v max. voltage rating (1000v in signs, fixtures, and luminaires)
 - 18-14 AWG solid or stranded copper wire and 221°F (105°C) max. temp. rating with the CT-500, CT-550, CT-1551, CT-1550 installation tools
 - 16-14 AWG solid or stranded copper wire and 167°F (75°C) max. temp. rating with the CT-100 installation tools.
- Material:
 - Stamping: .032 (.81) thk copper, tin plated
 - Housing: Vinyl, blue
- Strip length: 5/16 +1/32 -0
- SEE www.panduit.com FOR PART NUMBER SUFFIX DESIGNATION FOR PACKAGE SIZE.
- Dimensions in brackets are in millimeters or mm²



LISTED
587H
E52164



CERTIFIED
LR31212

REV	DATE	BY	DESCRIPTION	CUST	PM
05	8/11	SHOR	MODIFIED NOTE #4, REMOVED PACKAGE SIZES		

PANDUIT

CORP.

TINLEY PARK, ILLINOIS

#16-14 BARREL VINYL INSULATED RING TONGUE, .200 (5.08) MAX. WIRE INSULATION DIAMETER

DRAWN BY DAW	CHK'D CJH	SCALE NONE	DRAWING NO. A41270
-----------------	--------------	---------------	-----------------------

Mouser Electronics

Authorized Distributor

Click to View Pricing, Inventory, Delivery & Lifecycle Information:

[Panduit:](#)

[PV14-4RX-C](#) [PV14-8RX-M](#) [PV14-6RX-M](#) [PV14-14RX-M](#) [PV14-10RX-M](#) [PV14-38RX-L](#) [PV14-14RX-L](#)