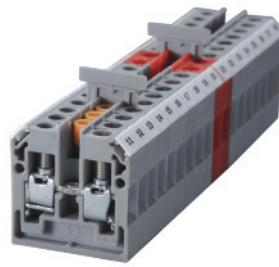


For use when space constraints require extremely compact solutions and internal jumping is required.

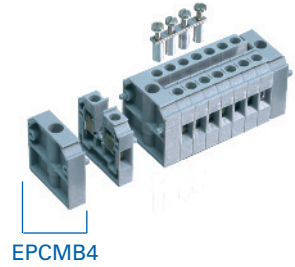
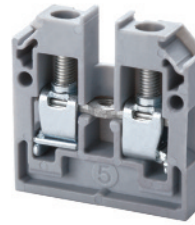
Individual components can be used to build your own assemblies. Just snap the required number of terminal block components together and place a Mounting Section on each end.

The CMB4 accepts internal jumpers and standard marking tags.

- Extremely compact and cost effective
- High density
- Screw-cage clamp
- Internal jumping provision
- Polyamide 6.6
- Standard color: gray



CMB4

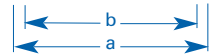


| | | | |
|---------------------|---|-------------|-----------|
| Terminal Width | 6 mm | | |
| Height x Length | 28 x 27 mm | | |
| Stripping Length | 9 mm | | |
| Insulation Material | Polyamide 6.6 | | |
| Type of Connection | 2 screw clamps & 1 tapped hole for cross connect. | | |
| Approvals | | | |
| Wire Range | 22-10 AWG | 0.2-4 sq.mm | 22-10 AWG |
| Voltage Rating | 300 V | 500 V | 300 V |
| Current Rating | 35 A | 32 A | 30 A |
| Torque | 7 lb-in | 0.5 Nm | 7 lb-in |

Other Approvals



Preassembled blocks are also available for quick and easy installations.
See Dimensions below.



Dimensions mm (in.)
CMB4

Terminal Block

Mounting Section

Separator Plate

Mounting Screw*

| | | | | |
|-------------------|--|---------|----------|-----|
| Internal Jumper** | | 2 pole | CA727/2 | 100 |
| | | 3 pole | CA727/3 | 100 |
| | | 4 pole | CA727/4 | 100 |
| | | 10 pole | CA727/10 | 10 |

| | | | | |
|-----------------------------|--|---------|----------|-----|
| Insulated Internal Jumper** | | 2 pole | CA747/2 | 100 |
| | | 3 pole | CA747/3 | 100 |
| | | 4 pole | CA747/4 | 100 |
| | | 10 pole | CA747/10 | 10 |

| | | | | |
|--------------|--|---------------------|------------|-----|
| Current Bars | | 2 pole | CA703/1 | 100 |
| | | 3 pole | CA704/1 | 100 |
| | | 4 pole | CA705/1 | 100 |
| | | 10 pole | CA732/10 | 100 |
| | | 10 pole (breakable) | CA732/10-A | 100 |
| | | 100 pole | CA732/100 | 10 |

| | | | |
|---------------------------|--|-----------|-----|
| Shorting Sleeve & Screw** | | CA607/S/Q | 100 |
|---------------------------|--|-----------|-----|

| | | | | |
|-----------------|--|---------|----------|-----|
| External Jumper | | 2 pole | CA714/2 | 100 |
| | | 3 pole | CA714/3 | 100 |
| | | 4 pole | CA714/4 | 100 |
| | | 10 pole | CA714/10 | 20 |

| | | | |
|--------------|--|-----|-----|
| Marking Tags | | MT2 | 100 |
|--------------|--|-----|-----|

| Cat. No. | Std. Pk. |
|----------|----------|
|----------|----------|

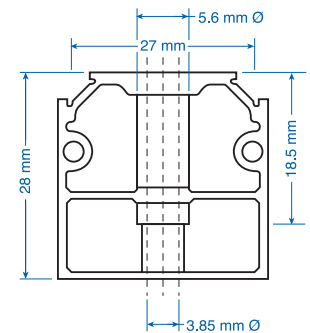
| | |
|-------------|-----|
| CMB4 | 100 |
|-------------|-----|

| | |
|---------------|----|
| EPCMB4 | 50 |
|---------------|----|

| | |
|---------------|-----|
| SPCMB4 | 100 |
|---------------|-----|

Any length M3 screw may be used.

| Cat No. | No. of Poles | Width (a) | Hole Spacing (b) |
|---------|--------------|------------|------------------|
| CMB4/2 | 2 | 26 (1.02) | 19 (0.75) |
| CMB4/3 | 3 | 32 (1.26) | 25 (0.98) |
| CMB4/4 | 4 | 38 (1.50) | 31 (1.22) |
| CMB4/5 | 5 | 44 (1.73) | 37 (1.46) |
| CMB4/6 | 6 | 50 (1.97) | 43 (1.69) |
| CMB4/7 | 7 | 56 (2.20) | 49 (1.93) |
| CMB4/8 | 8 | 62 (2.44) | 55 (2.17) |
| CMB4/9 | 9 | 68 (2.68) | 61 (2.40) |
| CMB4/10 | 10 | 74 (2.91) | 67 (2.64) |
| CMB4/11 | 11 | 80 (3.15) | 73 (2.87) |
| CMB4/12 | 12 | 86 (3.39) | 79 (3.11) |
| CMB4/13 | 13 | 92 (3.62) | 85 (3.35) |
| CMB4/14 | 14 | 98 (3.86) | 91 (3.58) |
| CMB4/15 | 15 | 104 (4.09) | 97 (3.82) |
| CMB4/16 | 16 | 110 (4.33) | 103 (4.06) |
| CMB4/17 | 17 | 116 (4.57) | 109 (4.29) |
| CMB4/18 | 18 | 122 (4.80) | 115 (4.53) |
| CMB4/19 | 19 | 128 (5.04) | 121 (4.76) |
| CMB4/20 | 20 | 134 (5.28) | 127 (5.00) |
| CMB4/21 | 21 | 140 (5.51) | 133 (5.24) |
| CMB4/22 | 22 | 146 (5.75) | 139 (5.47) |
| CMB4/23 | 23 | 152 (5.98) | 145 (5.71) |
| CMB4/24 | 24 | 158 (6.22) | 151 (5.94) |



Mounting Section
EPCMB4

* Any length M3 screw may be used.
** Torque recommendation is 3.5 lb-in.

COLOR BLOCKS
(other than standard grey)

When ordering please add color suffix to Cat. No.

Example for color Red: **Cat.No./R**

| Color | Ordering Suffix | |
|------------|-----------------|--|
| Red | R | |
| Yellow | Y | |
| Blue | BU | |
| Green | G | |
| Orange | O | |
| Beige | BG | |
| Dark Brown | DB | |
| Black | BL | |
| White | W | |

Consult Altech for availability:

Mouser Electronics

Authorized Distributor

Click to View Pricing, Inventory, Delivery & Lifecycle Information:

[Altech:](#)

[CMB4](#)