



## WIDE BANDWIDTH QUAD J-FET OPERATIONAL AMPLIFIERS

- LOW POWER CONSUMPTION
- WIDE COMMON-MODE (UP TO  $V_{CC}^+$ ) AND DIFFERENTIAL VOLTAGE RANGE
- LOW INPUT BIAS AND OFFSET CURRENT
- OUTPUT SHORT-CIRCUIT PROTECTION
- HIGH INPUT IMPEDANCE J-FET INPUT STAGE
- INTERNAL FREQUENCY COMPENSATION
- LATCH UP FREE OPERATION
- HIGH SLEW RATE :  $16V/\mu s$  (typ)



### DESCRIPTION

These circuits are high speed J-FET input quad operational amplifiers incorporating well matched, high voltage J-FET and bipolar transistors in a monolithic integrated circuit.

The devices feature high slew rates, low input bias and offset currents, and low offset voltage temperature coefficient.

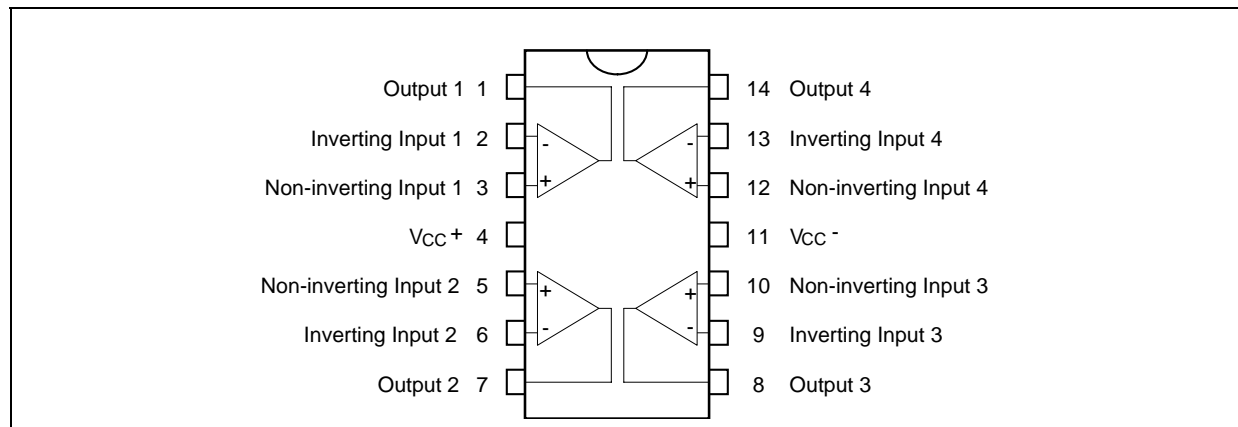
### ORDER CODE

| Part Number | Temperature Range | Package |   |
|-------------|-------------------|---------|---|
|             |                   | N       | D |
| LF147       | -55°C, +125°C     | •       | • |
| LF247       | -40°C, +105°C     | •       | • |
| LF347       | 0°C, +70°C        | •       | • |

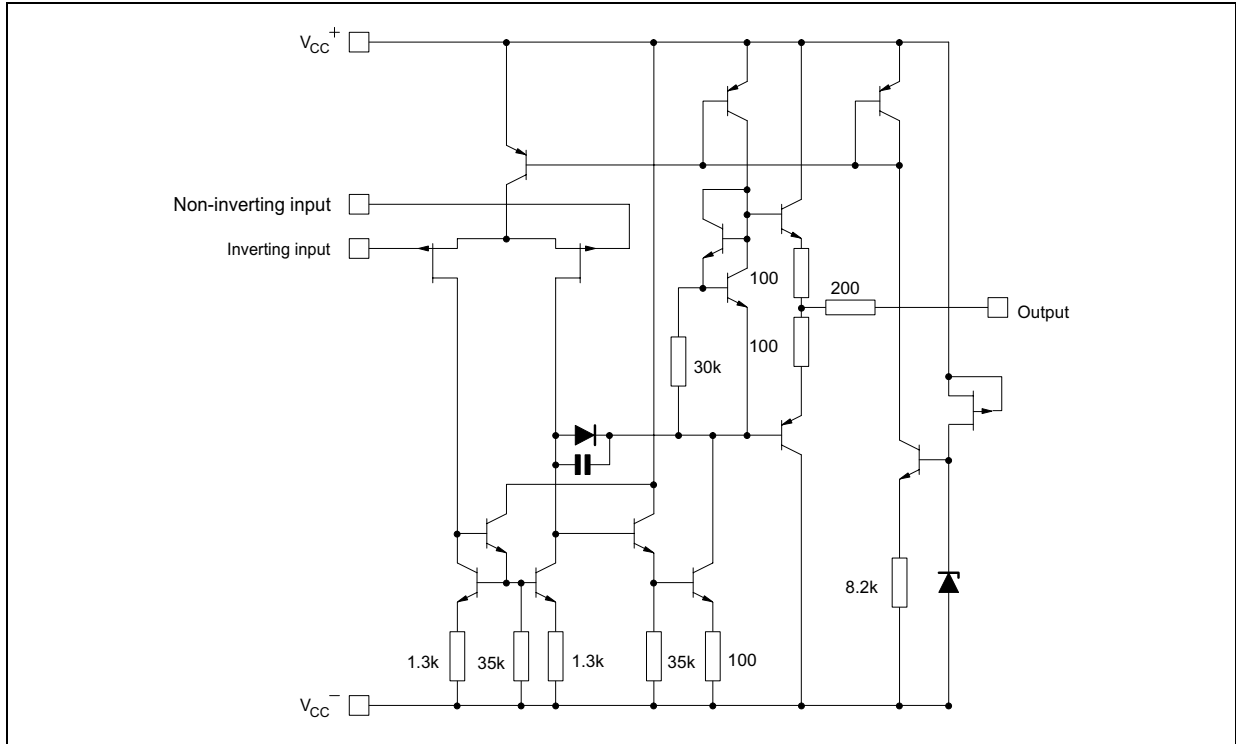
**Example : LF347IN**

N = Dual in Line Package (DIP)  
D = Small Outline Package (SO) - also available in Tape & Reel (DT)

### PIN CONNECTIONS (top view)



**SCHEMATIC DIAGRAM** (each amplifier)



**ABSOLUTE MAXIMUM RATINGS**

| Symbol     | Parameter  | LF147       | LF247       | LF347    | Unit |
|------------|--|-------------|-------------|----------|------|
| $V_{CC}$   | Supply voltage - note <sup>1)</sup>                | ±18         |             |          | V    |
| $V_i$      | Input Voltage - note <sup>2)</sup>                 | ±15         |             |          | V    |
| $V_{id}$   | Differential Input Voltage - note <sup>3)</sup>    | ±30         |             |          | V    |
| $P_{tot}$  | Power Dissipation                                  | 680         |             |          | mW   |
|            | Output Short-circuit Duration - note <sup>4)</sup> | Infinite    |             |          |      |
| $T_{oper}$ | Operating Free-air Temperature Range               | -55 to +125 | -40 to +105 | 0 to +70 | °C   |
| $T_{stg}$  | Storage Temperature Range                          | -65 to +150 |             |          | °C   |

1. All voltage values, except differential voltage, are with respect to the zero reference level (ground) of the supply voltages where the zero reference level is the midpoint between  $V_{CC+}$  and  $V_{CC-}$ .
2. The magnitude of the input voltage must never exceed the magnitude of the supply voltage or 15 volts, whichever is less.
3. Differential voltages are the non-inverting input terminal with respect to the inverting input terminal.
4. The output may be shorted to ground or to either supply. Temperature and/or supply voltages must be limited to ensure that the dissipation rating is not exceeded

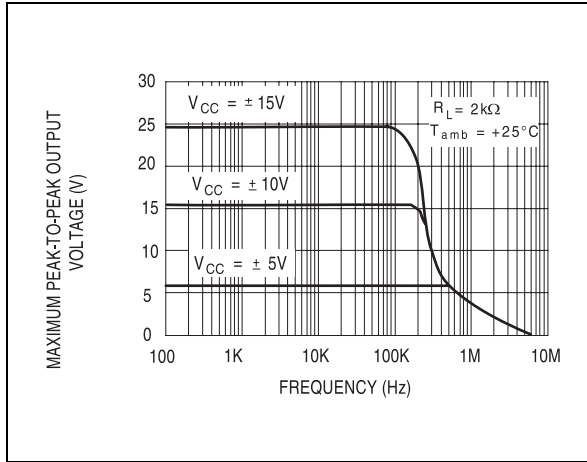
**ELECTRICAL CHARACTERISTICS**

$V_{CC} = \pm 15V$ ,  $T_{amb} = +25^{\circ}C$  (unless otherwise specified)

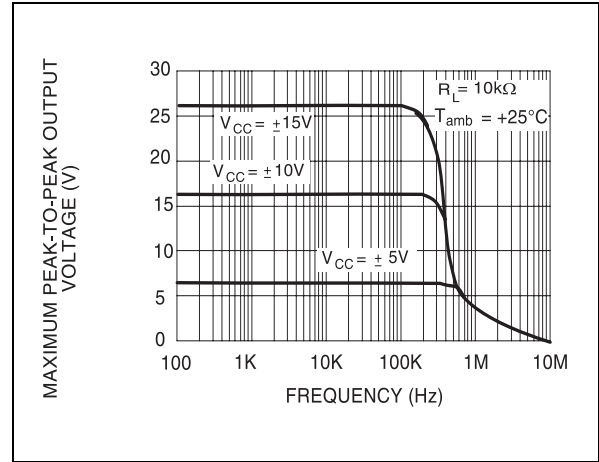
| Symbol          | Parameter  | Min.   | Typ.       | Max.       | Unit                   |
|-----------------|--|--|------------|------------|------------------------|
| $V_{io}$        | Input Offset Voltage ( $R_S = 10k\Omega$ )<br>$T_{amb} = 25^{\circ}C$<br>$T_{min} \leq T_{amb} \leq T_{max}$                           |  | 3          | 10<br>13   | mV                     |
| $DV_{io}$       | Input Offset Voltage Drift   |  | 10         |            | $\mu V/^{\circ}C$      |
| $I_{io}$        | Input Offset Current - note 1)<br>$T_{amb} = 25^{\circ}C$<br>$T_{min} \leq T_{amb} \leq T_{max}$                                       |  | 5          | 100<br>4   | pA<br>nA               |
| $I_{ib}$        | Input Bias Current - note 1<br>$T_{amb} = 25^{\circ}C$<br>$T_{min} \leq T_{amb} \leq T_{max}$  |  | 20         | 200<br>20  | pA<br>nA               |
| $A_{vd}$        | Large Signal Voltage Gain ( $R_L = 2k\Omega$ , $V_O = \pm 10V$ ),<br>$T_{amb} = 25^{\circ}C$<br>$T_{min} \leq T_{amb} \leq T_{max}$    | 50<br>25   | 200        |            | V/mV                   |
| SVR             | Supply Voltage Rejection Ratio ( $R_S = 10k\Omega$ )<br>$T_{amb} = 25^{\circ}C$<br>$T_{min} \leq T_{amb} \leq T_{max}$                 | 80<br>80   | 86         |            | dB                     |
| $I_{CC}$        | Supply Current, Per Amp, no Load<br>$T_{amb} = 25^{\circ}C$<br>$T_{min} \leq T_{amb} \leq T_{max}$                                     |  | 1.4        | 2.7<br>2.7 | mA                     |
| $V_{icm}$       | Input Common Mode Voltage Range  | $\pm 11$   | +15<br>-12 |            | V                      |
| CMR             | Common Mode Rejection Ratio ( $R_S = 10k\Omega$ )<br>$T_{amb} = 25^{\circ}C$<br>$T_{min} \leq T_{amb} \leq T_{max}$                    | 70<br>70   | 86         |            | dB                     |
| $I_{OS}$        | Output Short-Circuit Current<br>$T_{amb} = 25^{\circ}C$<br>$T_{min} \leq T_{amb} \leq T_{max}$   | 10<br>10   | 40         | 60<br>60   | mA                     |
| $\pm V_{opp}$   | Output Voltage Swing<br>$T_{amb} = 25^{\circ}C$<br>$T_{min} \leq T_{amb} \leq T_{max}$   | $R_L = 2k\Omega$<br>10<br>$R_L = 10k\Omega$<br>12<br>$R_L = 2k\Omega$<br>10<br>$R_L = 10k\Omega$<br>12 | 12<br>13.5 |            | V                      |
| SR              | Slew Rate<br>$V_i = 10V$ , $R_L = 2k\Omega$ , $C_L = 100pF$ , $T_{amb} = 25^{\circ}C$ , unity gain                                     | 12   | 16         |            | V/ $\mu s$             |
| $t_r$           | Rise Time<br>$V_i = 20mV$ , $R_L = 2k\Omega$ , $C_L = 100pF$ , $T_{amb} = 25^{\circ}C$ , unity gain                                    |  | 0.1        |            | $\mu s$                |
| $K_{ov}$        | Overshoot<br>$V_i = 20mV$ , $R_L = 2k\Omega$ , $C_L = 100pF$ , $T_{amb} = 25^{\circ}C$ , unity gain                                    |  | 10         |            | %                      |
| GBP             | Gain Bandwidth Product<br>$f = 100kHz$ , $T_{amb} = 25^{\circ}C$ , $V_{in} = 10mV$ , $R_L = 2k\Omega$ , $C_L = 100pF$                  | 2.5  | 4          |            | MHz                    |
| $R_i$           | Input Resistance   |  | $10^{12}$  |            | $\Omega$               |
| THD             | Total Harmonic Distortion<br>$f = 1kHz$ , $A_v = 20dB$ , $R_L = 2k\Omega$ , $C_L = 100pF$<br>$T_{amb} = 25^{\circ}C$ , $V_O = 2V_{pp}$ |  | 0.01       |            | %                      |
| $e_n$           | Equivalent Input Noise Voltage ( $R_S = 100\Omega$ , $f = 1kHz$ )  |  | 15         |            | $\frac{nV}{\sqrt{Hz}}$ |
| $\phi_m$        | Phase Margin   |  | 45         |            | Degrees                |
| $V_{O1}/V_{O2}$ | Channel Separation ( $A_v = 100$ )   |  | 120        |            | dB                     |

1. The input bias currents are junction leakage currents which approximately double for every 10°C increase in the junction temperature.

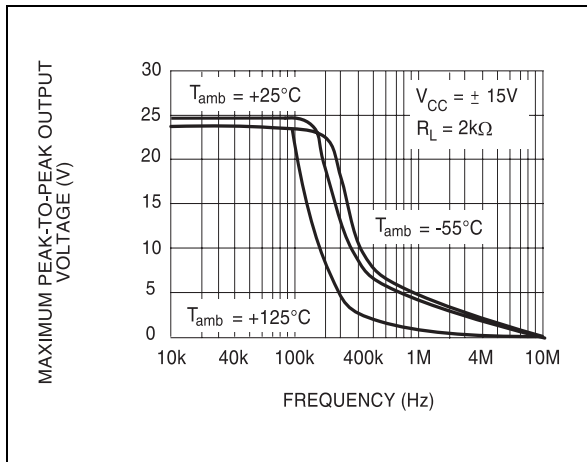
**MAXIMUM PEAK-TO-PEAK OUTPUT VOLTAGE versus FREQUENCY**



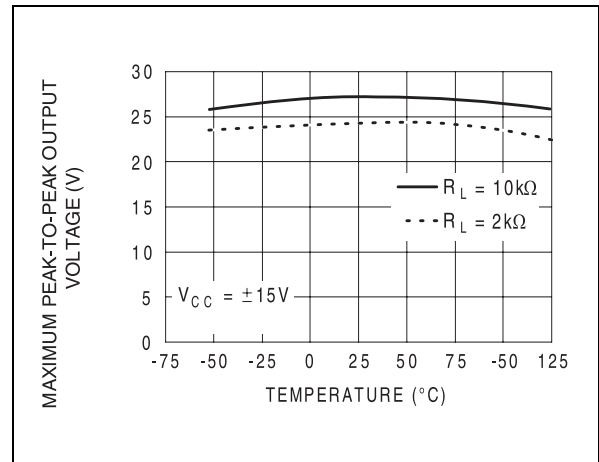
**MAXIMUM PEAK-TO-PEAK OUTPUT VOLTAGE versus FREQUENCY**



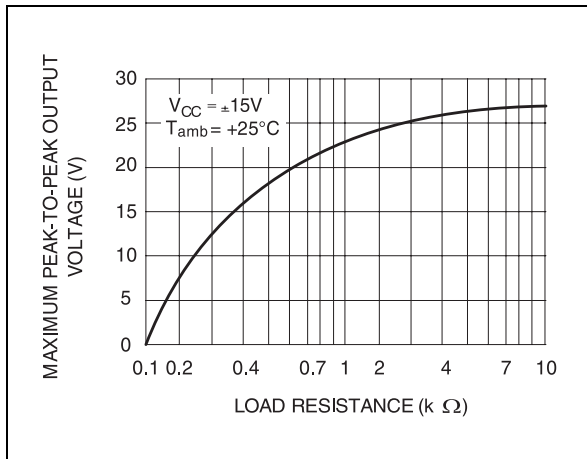
**MAXIMUM PEAK-TO-PEAK OUTPUT VOLTAGE versus FREQUENCY**



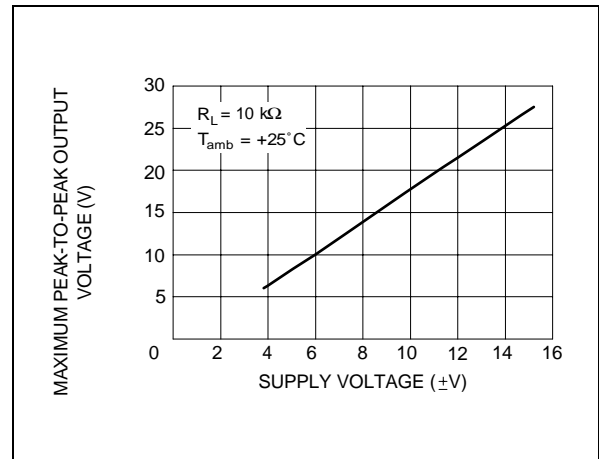
**MAXIMUM PEAK-TO-PEAK OUTPUT VOLTAGE versus FREE AIR TEMP.**



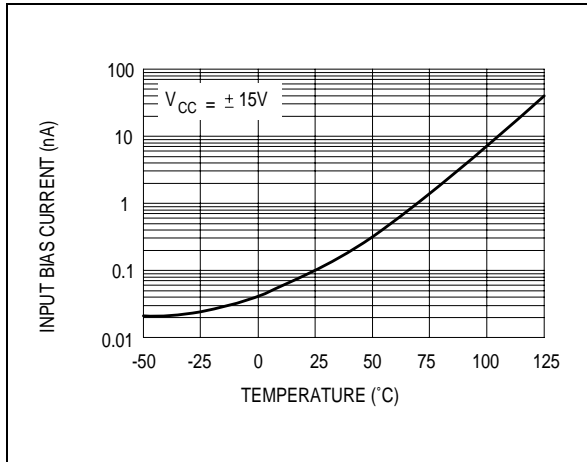
**MAXIMUM PEAK-TO-PEAK OUTPUT VOLTAGE versus LOAD RESISTANCE**



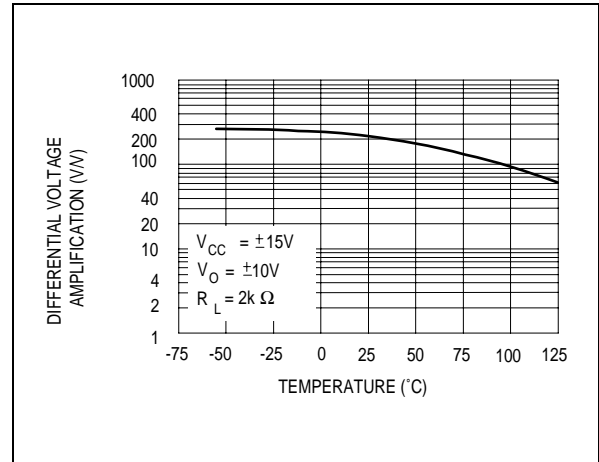
**MAXIMUM PEAK-TO-PEAK OUTPUT VOLTAGE versus SUPPLY VOLTAGE**



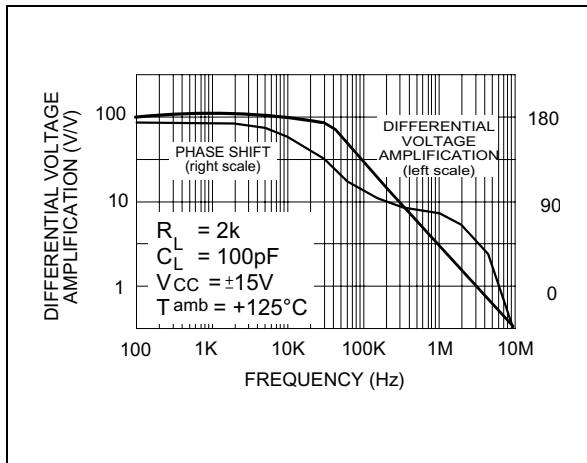
**INPUT BIAS CURRENT versus FREE AIR TEMPERATURE**



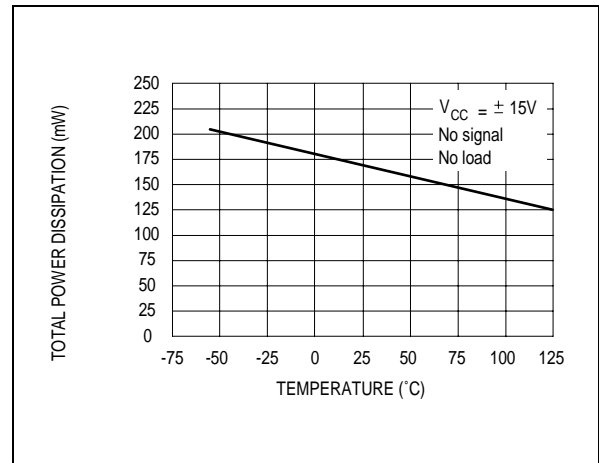
**LARGE SIGNAL DIFFERENTIAL VOLTAGE AMPLIFICATION AND PHASE SHIFT versus FREQUENCY**



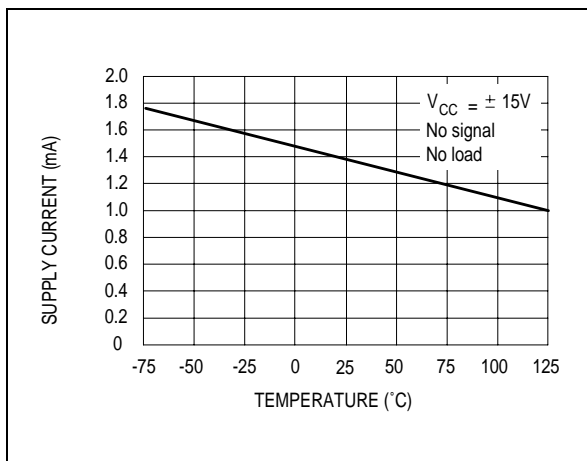
**LARGE SIGNAL DIFFERENTIAL VOLTAGE AMPLIFICATION AND PHASE SHIFT versus FREQUENCY**



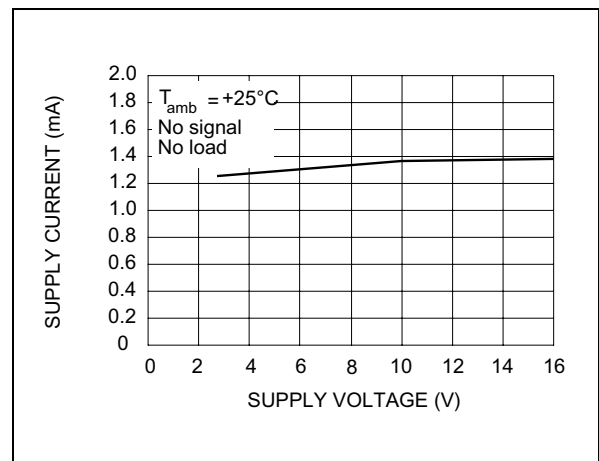
**TOTAL POWER DISSIPATION versus FREE AIR TEMPERATURE**



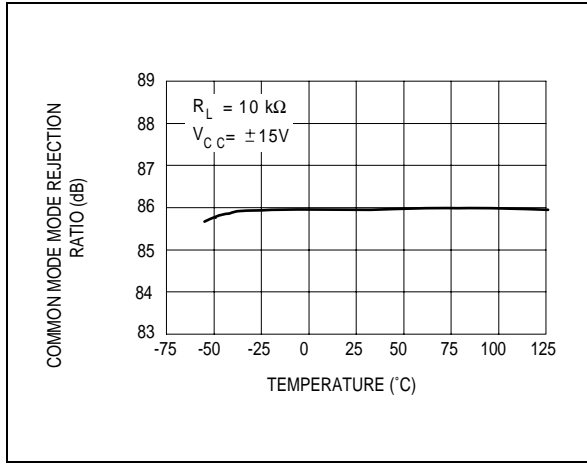
**SUPPLY CURRENT PER AMPLIFIER versus FREE AIR TEMPERATURE**



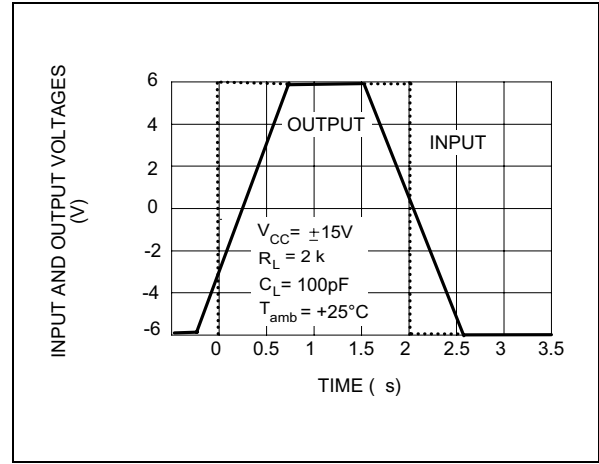
**COMMON MODE REJECTION RATIO versus FREE AIR TEMPERATURE**



**COMMON MODE REJECTION RATIO versus FREE AIR TEMPERATURE**



**VOLTAGE FOLLOWER LARGE SIGNAL PULSE RESPONSE**



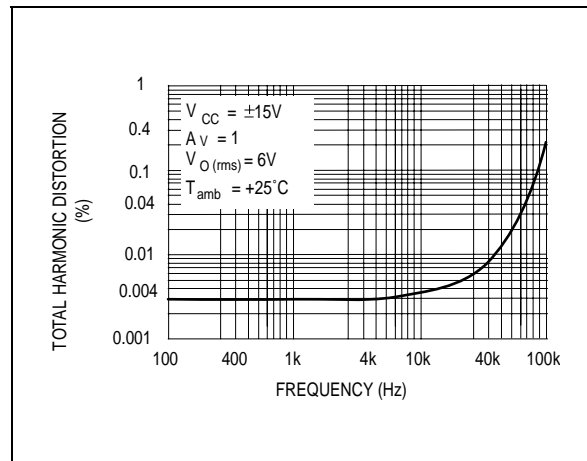
**OUTPUT VOLTAGE versus ELAPSED TIME**



**EQUIVALENT INPUT NOISE VOLTAGE versus FREQUENCY**



**TOTAL HARMONIC DISTORTION versus FREQUENCY**



PARAMETER MEASUREMENT INFORMATION

Figure 1 : Voltage Follower

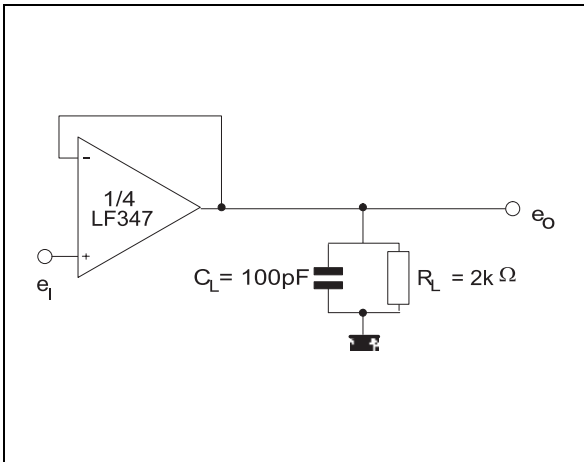
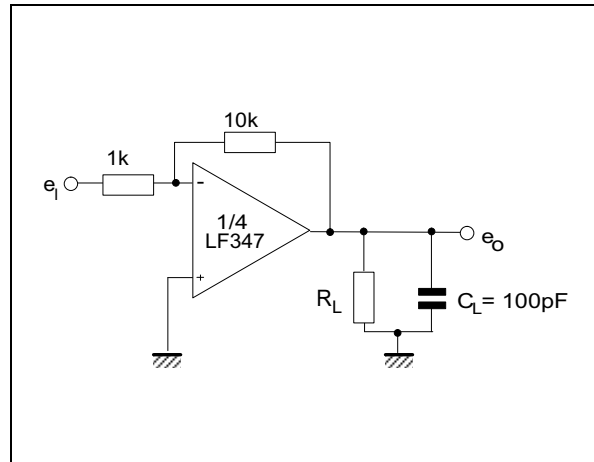
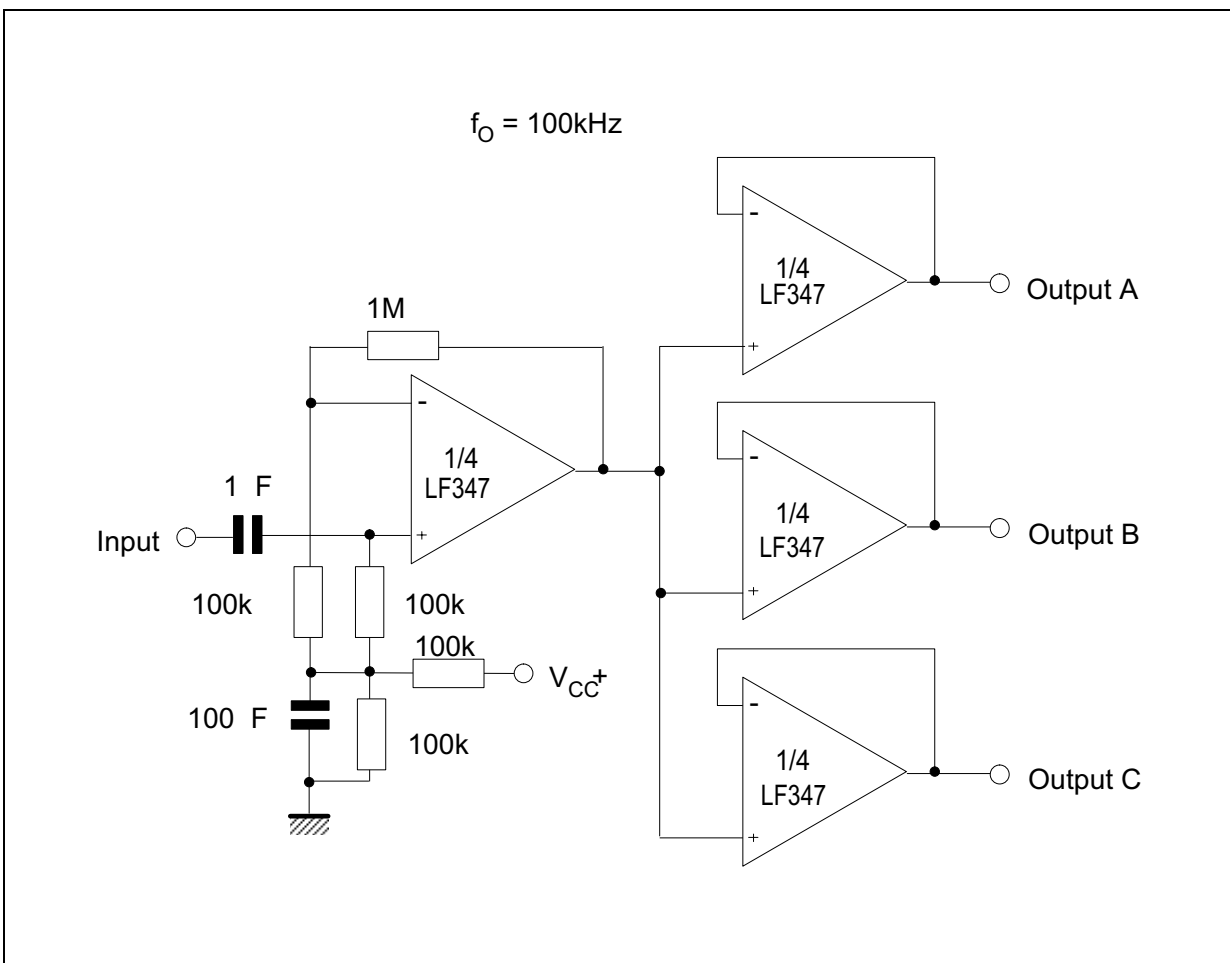


Figure 2 : Gain-of-10 Inverting Amplifier



TYPICAL APPLICATIONS

AUDIO DISTRIBUTOR AMPLIFIER



TYPICAL APPLICATIONS (continued)

POSITIVE FEEDBACK BANDPASS FILTER



OUTPUT A

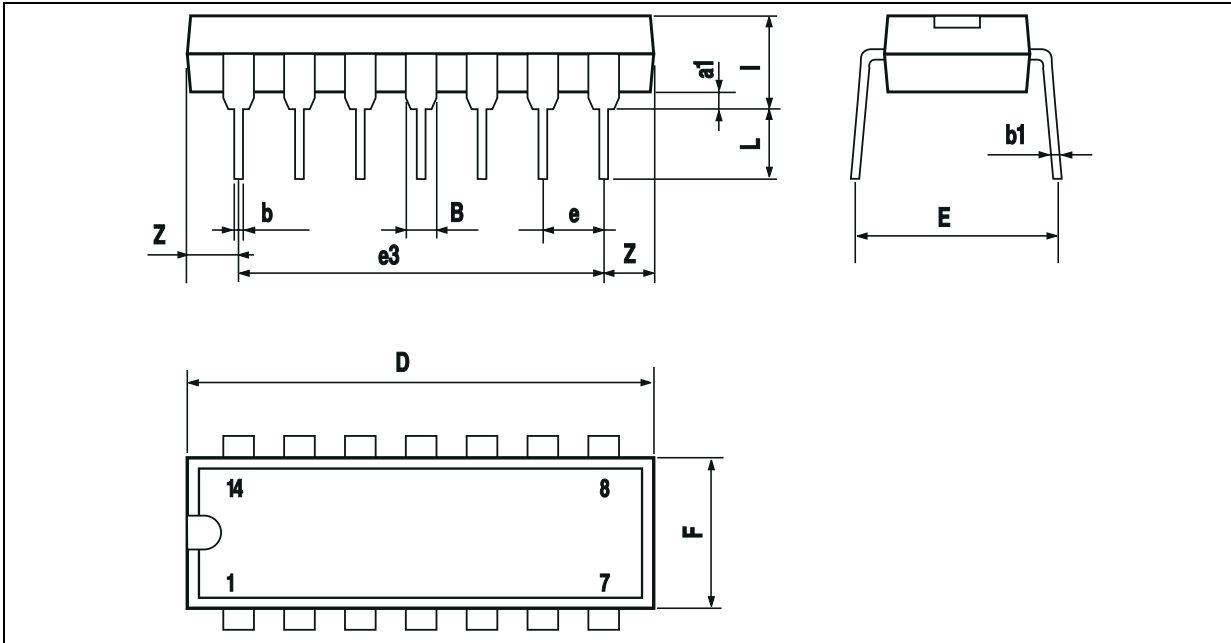


OUTPUT B



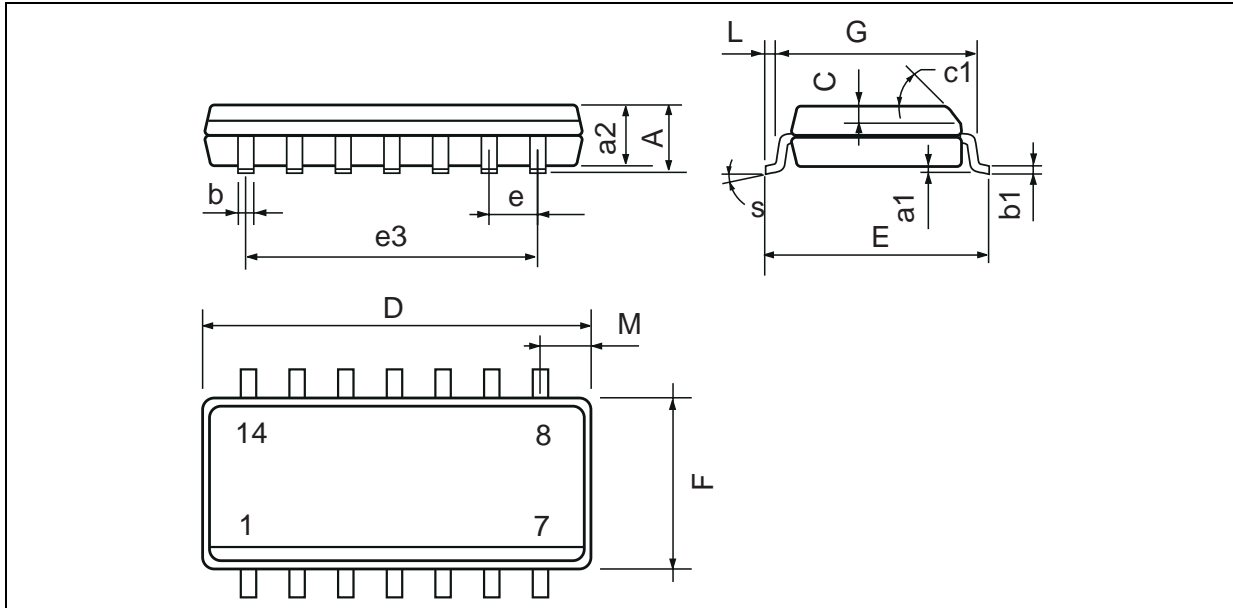


**PACKAGE MECHANICAL DATA**  
14 PINS - PLASTIC DIP



| Dim. | Millimeters |       |      | Inches |       |       |
|------|-------------|-------|------|--------|-------|-------|
|      | Min.        | Typ.  | Max. | Min.   | Typ.  | Max.  |
| a1   | 0.51        |       |      | 0.020  |       |       |
| B    | 1.39        |       | 1.65 | 0.055  |       | 0.065 |
| b    |             | 0.5   |      |        | 0.020 |       |
| b1   |             | 0.25  |      |        | 0.010 |       |
| D    |             |       | 20   |        |       | 0.787 |
| E    |             | 8.5   |      |        | 0.335 |       |
| e    |             | 2.54  |      |        | 0.100 |       |
| e3   |             | 15.24 |      |        | 0.600 |       |
| F    |             |       | 7.1  |        |       | 0.280 |
| i    |             |       | 5.1  |        |       | 0.201 |
| L    |             | 3.3   |      |        | 0.130 |       |
| Z    | 1.27        |       | 2.54 | 0.050  |       | 0.100 |

**PACKAGE MECHANICAL DATA**  
14 PINS - PLASTIC MICROPACKAGE (SO)



| Dim.  | Millimeters |      |      | Inches |       |       |
|-------|-------------|------|------|--------|-------|-------|
|       | Min.        | Typ. | Max. | Min.   | Typ.  | Max.  |
| A     |             |      | 1.75 |        |       | 0.069 |
| a1    | 0.1         |      | 0.2  | 0.004  |       | 0.008 |
| a2    |             |      | 1.6  |        |       | 0.063 |
| b     | 0.35        |      | 0.46 | 0.014  |       | 0.018 |
| b1    | 0.19        |      | 0.25 | 0.007  |       | 0.010 |
| C     |             | 0.5  |      |        | 0.020 |       |
| c1    | 45° (typ.)  |      |      |        |       |       |
| D (1) | 8.55        |      | 8.75 | 0.336  |       | 0.344 |
| E     | 5.8         |      | 6.2  | 0.228  |       | 0.244 |
| e     |             | 1.27 |      |        | 0.050 |       |
| e3    |             | 7.62 |      |        | 0.300 |       |
| F (1) | 3.8         |      | 4.0  | 0.150  |       | 0.157 |
| G     | 4.6         |      | 5.3  | 0.181  |       | 0.208 |
| L     | 0.5         |      | 1.27 | 0.020  |       | 0.050 |
| M     |             |      | 0.68 |        |       | 0.027 |
| S     | 8° (max.)   |      |      |        |       |       |

Note : (1) D and F do not include mold flash or protrusions - Mold flash or protrusions shall not exceed 0.15mm (.066 inc) ONLY FOR DATA BOOK.

Information furnished is believed to be accurate and reliable. However, STMicroelectronics assumes no responsibility for the consequences of use of such information nor for any infringement of patents or other rights of third parties which may result from its use. No license is granted by implication or otherwise under any patent or patent rights of STMicroelectronics. Specifications mentioned in this publication are subject to change without notice. This publication supersedes and replaces all information previously supplied. STMicroelectronics products are not authorized for use as critical components in life support devices or systems without express written approval of STMicroelectronics.

© The ST logo is a registered trademark of STMicroelectronics

© 2001 STMicroelectronics - Printed in Italy - All Rights Reserved  
**STMicroelectronics GROUP OF COMPANIES**

Australia - Brazil - China - Finland - France - Germany - Hong Kong - India - Italy - Japan - Malaysia - Malta - Morocco  
 Singapore - Spain - Sweden - Switzerland - United Kingdom

© <http://www.st.com>

# Mouser Electronics

Authorized Distributor

Click to View Pricing, Inventory, Delivery & Lifecycle Information:

[STMicroelectronics:](#)

[LF347D](#) [LF247DT](#) [LF347DT](#)