

Directional valves ▶ Electrically operated

3/2-directional valve, Series 579

▶ Qn = 850 l/min ▶ NC ▶ pipe connection ▶ compressed air connection output: Ø 8x1 ▶ Electr. connection: Plug, ISO 15217, form C ▶ Can be assembled into blocks ▶ Manual override: with detent ▶ Pilot: internal



P579_051

Version	Poppet valve
Sealing principle	Soft sealing
Working pressure min./max.	2 bar / 8 bar
Ambient temperature min./max.	-15 °C / +50 °C
Medium temperature min./max.	-15 °C / +50 °C
Medium	Compressed air
Max. particle size	5 µm
Oil content of compressed air	0 mg/m³ - 1 mg/m³
Degree of protection With connection	IP65
Duty cycle	100 %
Switch-on time	18 ms
Switch-off time	16 ms
Weight	0.093 kg
Materials:	
Housing	Polyamide
Seals	Acrylonitrile Butadiene Rubber; Polyurethane

Technical Remarks

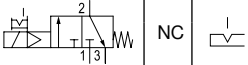
- The min. control pressure must be adhered to, since otherwise faulty switching and valve failure may result!
- The pressure dew point must be at least 15 °C under ambient and medium temperature and may not exceed 3 °C.
- The oil content of compressed air must remain constant during the life cycle.
- Use only the approved oils from AVENTICS, see chapter „Technical information“.
- At an ambient temperature of 40 °C the max. working pressure is 10 bar.
- Versions with voltage of less than 50 V DC do not have a protective ground.

Operational voltage			LED	Voltage tolerance		Power consumption	Switch-on power		Holding power	
DC	AC 50 Hz	AC 60 Hz		DC	AC 60 Hz		DC	AC 50 Hz	AC 60 Hz	AC 50 Hz
						W	VA	VA	VA	VA
12 V	-	-	-	-10% / +10%	-	1.6	-	-	-	-
24 V	-	-	-	-10% / +10%	-	1.6	-	-	-	-
24 V	-	-	Red	-10% / +10%	-	1.7	-	-	-	-
-	24 V	24 V	-	-10% / +15%	-	-	3	2.6	2.2	1.8
-	110 V	110 V	-	-10% / +15%	-	-	4.2	3.4	3	2.4
-	230 V	230 V	-	-10% / +15%	-	-	3.2	2.8	2.3	2
-	230 V	230 V	Red	-10% / +15%	-	-	3.4	3	2.5	2.2

Directional valves ► Electrically operated

3/2-directional valve, Series 579

► Qn = 850 l/min ► NC ► pipe connection ► compressed air connection output: Ø 8x1 ► Electr. connection: Plug, ISO 15217, form C ► Can be assembled into blocks ► Manual override: with detent ► Pilot: internal

	MO	Type	Compressed air connection		Operational voltage			Qn	Control pressure min./max.	LED	Part No.		
			Input	Output	DC	AC 50 Hz	AC 60 Hz						
								[l/min]	[bar]				
	NC	Inlet valve	Ø 8x1		12 V	-	-	850	-	-	5790600210		
		Inlet valve	Ø 8x1		24 V	-	-		-	-	5790600220		
		Inlet valve	Ø 8x1		24 V	-	-		-	-	Red	5790600620	
		Inlet valve	Ø 8x1		-	24 V	24 V		-	-	-	5790605220	
		Inlet valve	Ø 8x1		-	110 V	110 V		-	-	-	5790605270	
		Inlet valve	Ø 8x1		-	230 V	230 V		-	-	-	5790605280	
		Inlet valve	Ø 8x1		-	230 V	230 V		-	-	Red	5790605680	
		Stacking valve	-		12 V	-	-		-	-	-	5791600210	
		Stacking valve	-		24 V	-	-		-	-	-	5791600220	
		Stacking valve	-		24 V	-	-		-	-	Red	5791600620	
		Stacking valve	-		-	24 V	24 V		-	-	-	5791605220	
		Stacking valve	-		-	110 V	110 V		-	-	-	5791605270	
		Stacking valve	-		-	230 V	230 V		-	-	-	5791605280	
		Stacking valve	-		-	230 V	230 V		-	-	Red	5791605680	
		Stacking valve, add. compressed air port	Ø 8x1		12 V	-	-		-	-	-- / 8	-	5796600210
		Stacking valve, add. compressed air port	Ø 8x1		24 V	-	-		-	-	-- / 8	-	5796600220
		Stacking valve, add. compressed air port	Ø 8x1	Ø 8x1	24 V	-	-		-	-	-- / 8	Red	5796600620
		Stacking valve, add. compressed air port	Ø 8x1		-	24 V	24 V		-	-	-- / 8	-	5796605220
		Stacking valve, add. compressed air port	Ø 8x1		-	110 V	110 V		-	-	-- / 8	-	5796605270
		Stacking valve, add. compressed air port	Ø 8x1		-	230 V	230 V		-	-	-- / 8	-	5796605280
Stacking valve, add. compressed air port	Ø 8x1		-	230 V	230 V	-	-	-- / 8	Red	5796605680			
End valve	-		12 V	-	-	-	-	-	-	5792600210			
End valve	-		24 V	-	-	-	-	-	-	5792600220			
End valve	-		24 V	-	-	-	-	-	Red	5792600620			
End valve	-		-	24 V	24 V	-	-	-	-	5792605220			
End valve	-		-	110 V	110 V	-	-	-	-	5792605270			
End valve	-		-	230 V	230 V	-	-	-	-	5792605280			
End valve	-		-	230 V	230 V	-	-	-	Red	5792605680			

Part No.	Note
5790600210	-
5790600220	-
5790600620	1)
5790605220	-
5790605270	-

MO = Manual override

1) With LED and protective diode for reducing voltage peaks in the solenoid coil, protected against polarity reversal

Nominal flow Qn at 6 bar and Δp = 1 bar

Directional valves ▶ Electrically operated

3/2-directional valve, Series 579

▶ Qn = 850 l/min ▶ NC ▶ pipe connection ▶ compressed air connection output: Ø 8x1 ▶ Electr. connection: Plug, ISO 15217, form C ▶ Can be assembled into blocks ▶ Manual override: with detent ▶ Pilot: internal

Part No.	Note
5790605280	-
5790605680	-
5791600210	-
5791600220	-
5791600620	1)
5791605220	-
5791605270	-
5791605280	-
5791605680	-
5796600210	-
5796600220	-
5796600620	1)
5796605220	-
5796605270	-
5796605280	-
5796605680	-
5792600210	-
5792600220	-
5792600620	1)
5792605220	-
5792605270	-
5792605280	-
5792605680	-

MO = Manual override

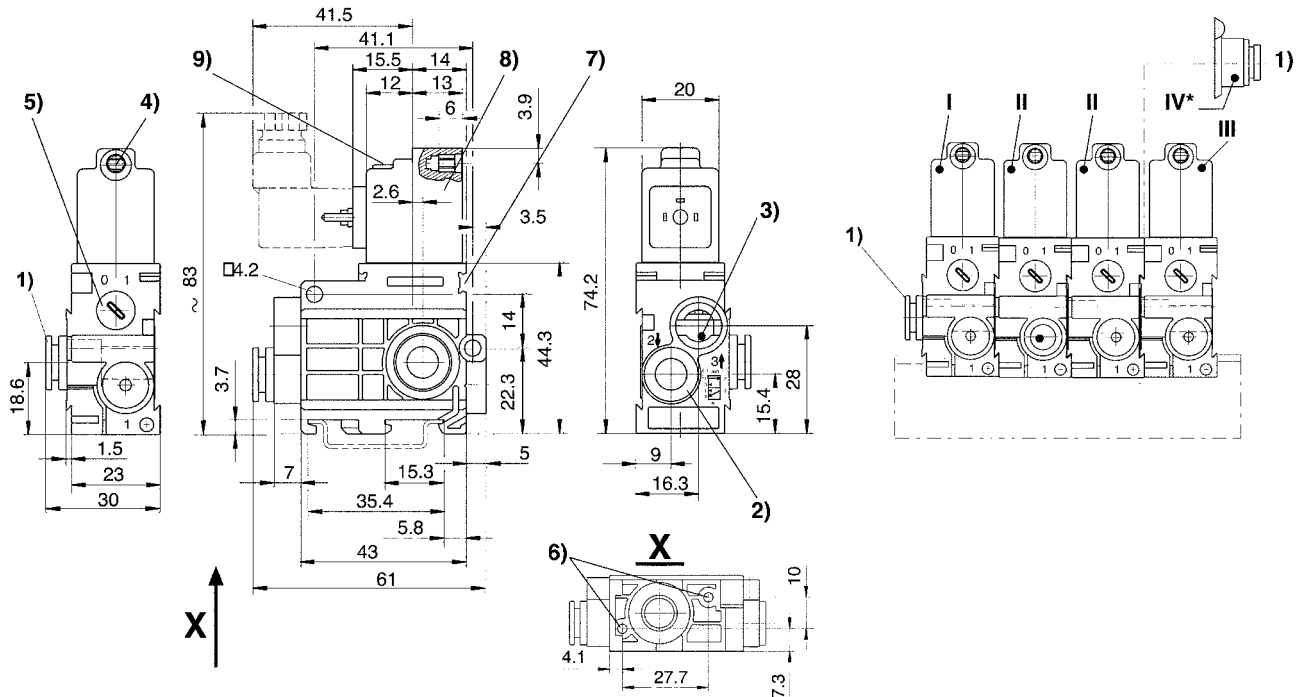
1) With LED and protective diode for reducing voltage peaks in the solenoid coil, protected against polarity reversal

Nominal flow Qn at 6 bar and Δp = 1 bar

3/2-directional valve, Series 579

▶ $Q_n = 850 \text{ l/min}$ ▶ NC ▶ pipe connection ▶ compressed air connection output: $\varnothing 8 \times 1$ ▶ Electr. connection: Plug, ISO 15217, form C ▶ Can be assembled into blocks ▶ Manual override: with detent ▶ Pilot: internal

Dimensions



- 1) Port 1
- 2) Port 2
- 3) Port 3, exhaust air must not be throttled
- 4) Core \varnothing for M5
- 5) Manual override
- 6) Pocket hole 6 mm deep for 3.5 self-tapping screw
- 7) Mounting space for name plate
- 8) Coil can be rotated at 180° intervals
- 9) LED

* Air conn. module (item IV) mounted onto stacking valve (item II) permits additional air supply from right hand side. End valve (item III) not required.
I = Inlet valve, II = Stacking valve, III = End valve

D579_051