

REVISIONS

P	LTR	DESCRIPTION	DATE	DWN	APVD
1		INITIAL	29APR2021	RM	SZ

NOTES :

1.MATERIAL

HOUSING :HIGH TEMPERATURE THERMAL PLASTIC,BLACK,UL94-V0

CONTACT :COPPER ALLOY

SHELL :STAINLESS STEEL

MIDDLE PLATE:STAINLESS STEEL

2.PLATING

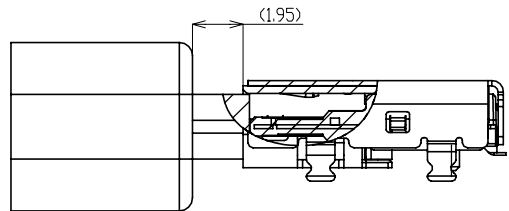
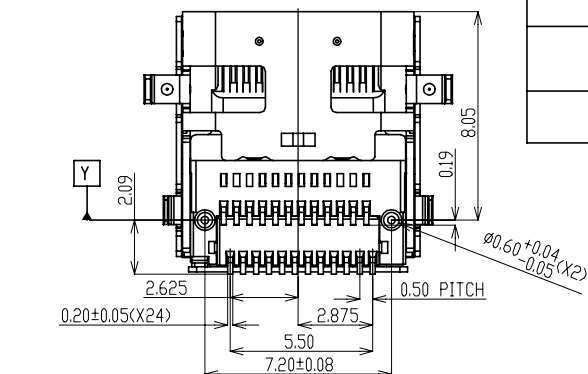
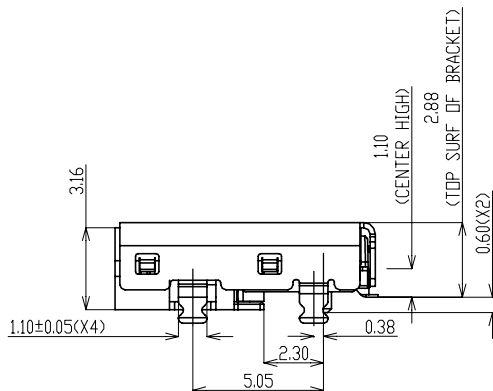
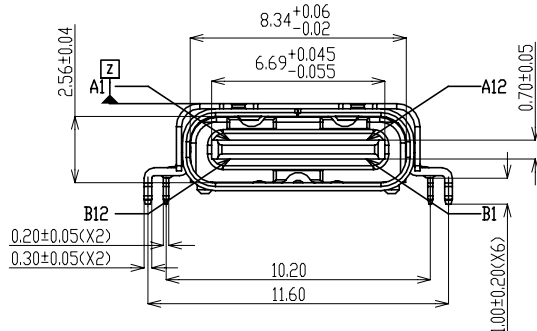
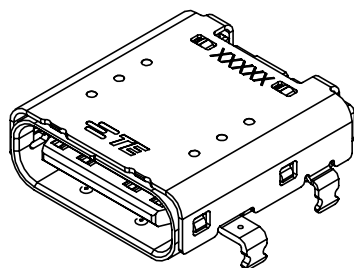
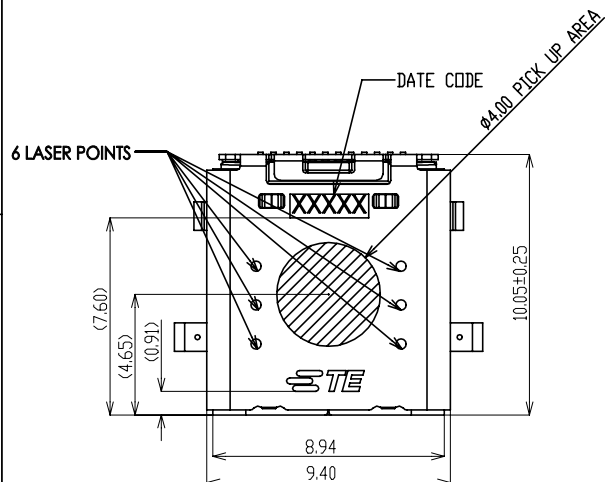
CONTACT:0.00076mm [30u"] MIN. GOLD PLATING ON CONTACT AREA.
0.00254mm [100u"] MIN. MATTE TIN PLATING ON SOLDER TAILS,
UNDERPLATED 0.00127mm [50u"] MIN. NICKEL OVERALL.

SHELL: 0.00127mm [50u"] MIN. SOLDERING NICKEL UNDERPLATED OVERALL.

MIDDLE PLATE: SOLDERING Ni 1.27um [50u"] MIN. UNDERPLATED OVERALL.

3.COPLANARITY OF SMT PINS AND SOLDER TAILS:
0.10MAX BEFORE REFLOW,0.12MAX. AFTER REFLOW

4.DATE CODE: YYWW (YY: YEAR, WW: WEEK, D: DAY)

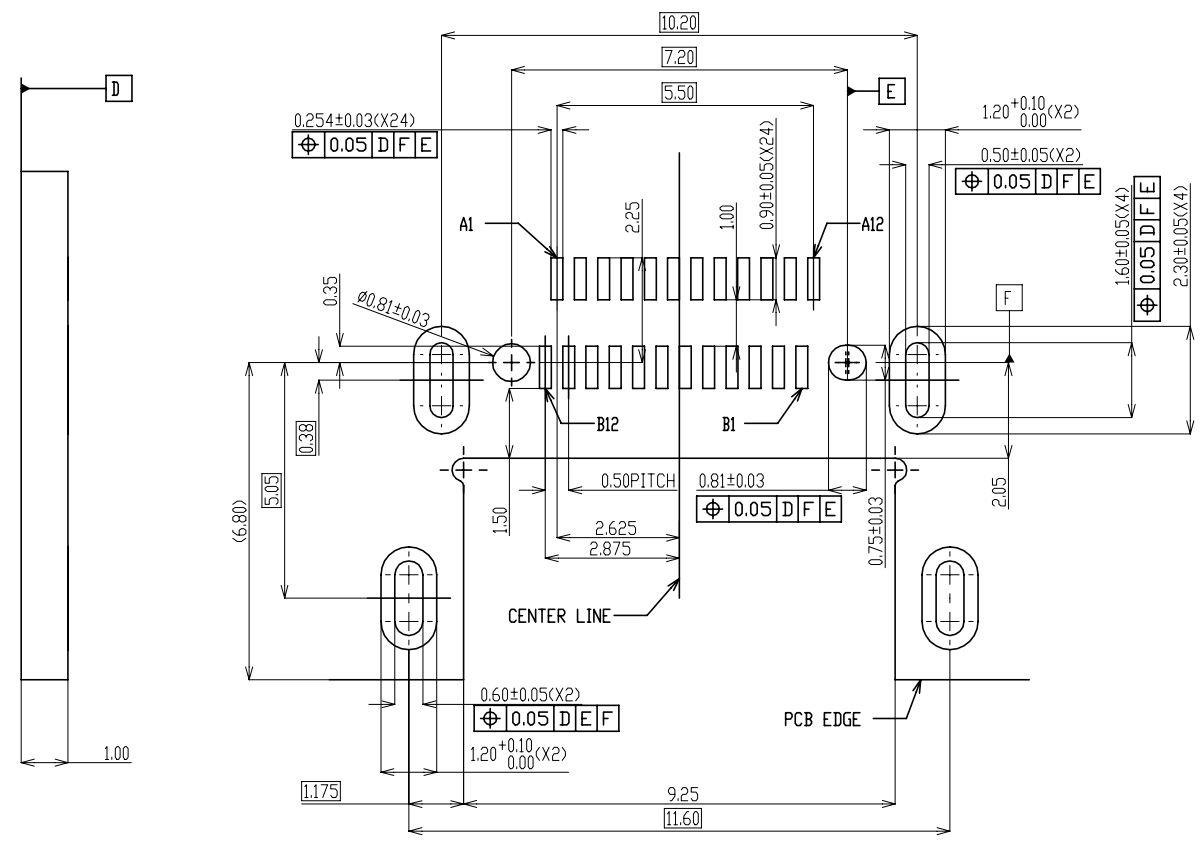


THIS PRINT IS
PRELIMINARY
UNQUALIFIED PRODUCT
DESIGN IS SUBJECT TO
CHANGE WITHOUT NOTICE

2388749-1
P/N

THIS DRAWING IS A CONTROLLED DOCUMENT.		DWN RICHARD MA 29APR2021	STE TE Connectivity	
		CHK RICHARD MA 29APR2021		
DIMENSIONS: mm		APVD SUNY ZHAO 29APR2021	NAME	
TOLERANCES UNLESS OTHERWISE SPECIFIED:		PRODUCT SPEC	USB 4.0 RECEPTACLE	
0 PLC ± 0.38		108-160251	TOP MOUNT, 24 POS,CH=1.10	
1 PLC ± 0.25		APPLICATION SPEC		
2 PLC ± 0.13		SIZE	CAGE CODE	DRAWING NO
3 PLC ± 0.05		A3	00779	C=2388749
4 PLC ± -		RESTRICTED TO		
ANGLES ± -		-		
MATERIAL	FINISH	WEIGHT		REV
-	-	-		1
CUSTOMER DRAWING		SCALE	SHEET	REV
		1:1	1 of 3	1

P	LTR	DESCRIPTION	DATE	DWN	APVD
-	-	SEE SHEET 1	-	-	-



RECOMMENDED PCB LAYOUT(TOP VIEW)
THICKNESS 1.0mm
TOLERANCE ±0.05

PIN NO.	A1	A2	A3	A4	A5	A6	A7	A8	A9	A10	A11	A12
SIGNAL NAME	GND	SSTXp1	SSTXn1	VBUS	CC1	Dp1	Dn1	SBUI	VBUS	SSRXn2	SSRXp2	GND
PIN NO.	B12	B11	B10	B9	B8	B7	B6	B5	B4	B3	B2	B1
SIGNAL NAME	GND	SSRXp1	SSRXn1	VBUS	SBU2	Dn2	Dp2	CC2	VBUS	SSTXn2	SSTXp2	GND

THIS PRINT IS
PRELIMINARY
UNQUALIFIED PRODUCT
DESIGN IS SUBJECT TO
CHANGE WITHOUT NOTICE

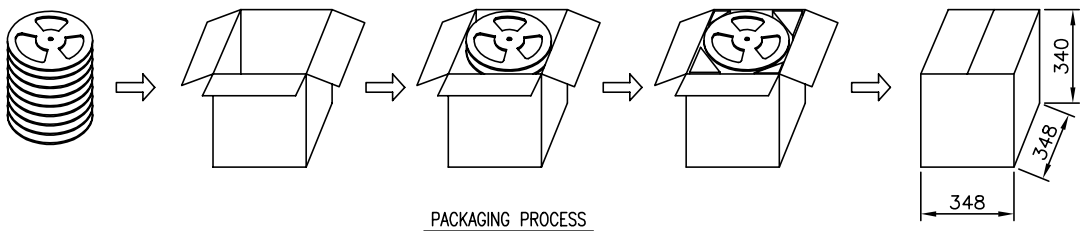
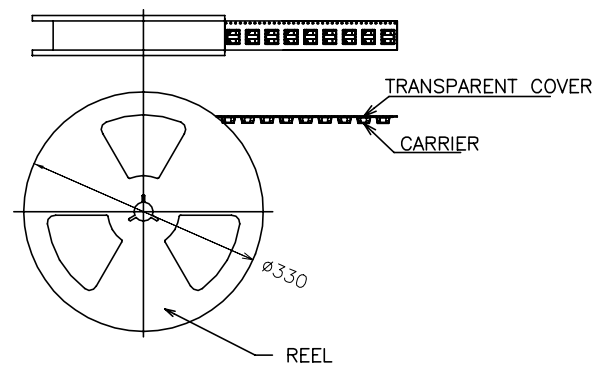
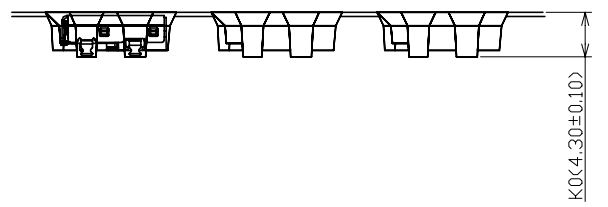
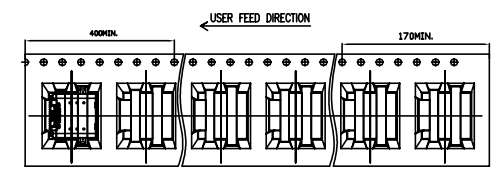
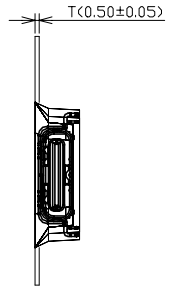
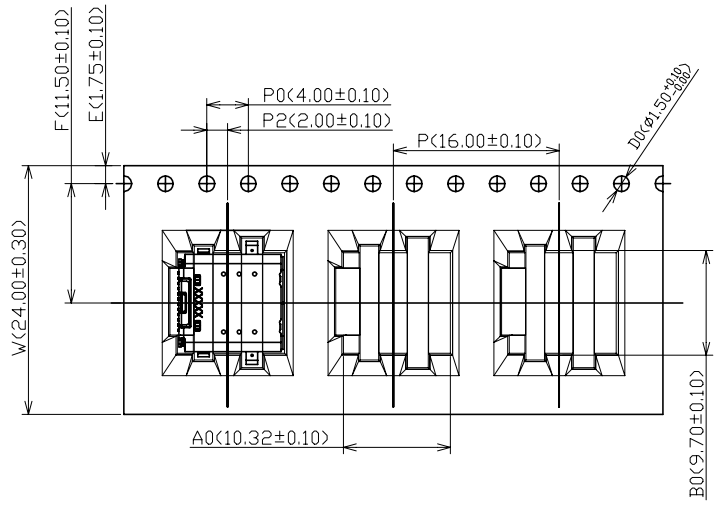
THIS DRAWING IS A CONTROLLED DOCUMENT.

DWN	RICHARD MA	29APR2021	TE Connectivity NAME USB 4.0 RECEPTACLE TOP MOUNT, 24 POS,CH=1.10			
CHK	RICHARD MA	29APR2021				
APVD	SUNY ZHAO	29APR2021				
PRODUCT SPEC	108-160251					
APPLICATION SPEC	-		RESTRICTED TO			
WEIGHT	-		SIZE	CAGE CODE	DRAWING NO	
			A3	00779	©=2388749	
CUSTOMER DRAWING			SCALE	1:1	SHEET	2 of 3
					REV	1

REVISIONS					
P	LTR	DESCRIPTION	DATE	DWN	APVD
-	-	SEE SHEET 1	-	-	-

NOTES:

1. USED ON USB TYPE C RECEPTACLE PRODUCTS.
2. PACKAGE:600PCS/REEL, 10REELS/BOX
3. MATERIAL:TRANSPARENT CONDUCTIVE POLYSTYRENE ALLOY
4. APPLICABLE DOCUMENTS:IEA-481-C
5. AFTER UNREELING DIRECTION MUST HAVE 11 PCS BLANK.(170mm Min)
6. BEFORE UNREELING DIRECTION MUST HAVE 25 PCS BLANK.(400mm Min)



PACKAGING PROCESS

THIS PRINT IS
PRELIMINARY
UNQUALIFIED PRODUCT
DESIGN IS SUBJECT TO
CHANGE WITHOUT NOTICE

THIS DRAWING IS A CONTROLLED DOCUMENT.		DWN RICHARD MA 29APR2021			
		CHK RICHARD MA 29APR2021			
DIMENSIONS: mm		APVD SUNY ZHAO 29APR2021	NAME		
TOLERANCES UNLESS OTHERWISE SPECIFIED:		PRODUCT SPEC	USB 4.0 RECEPTACLE		
0 PLC ± 0.38		108-160251	TOP MOUNT, 24 POS, CH=1.10		
1 PLC ± 0.25		APPLICATION SPEC	RESTRICTED TO		
2 PLC ± 0.13		WEIGHT	SIZE	CAGE CODE	DRAWING NO
3 PLC ± 0.05		-	A3	00779	2388749
4 PLC ± -		CUSTOMER DRAWING	SCALE 1:1 SHEET 3 of 3 REV 1		
ANGLES ± -					
FINISH					
MATERIAL					