

**Specifications**

**Material**

Insulator: PBT, UL 94V-0, Gray  
Contact: Phosphor Bronze, Ø=0.46mm

**Plating**

See Ordering Grid

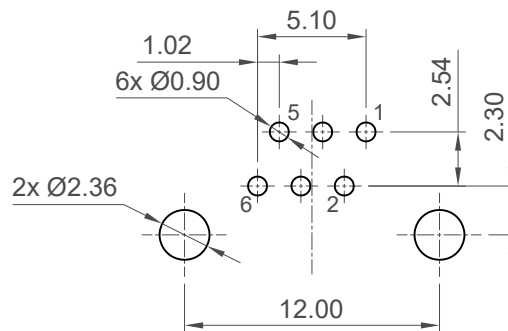
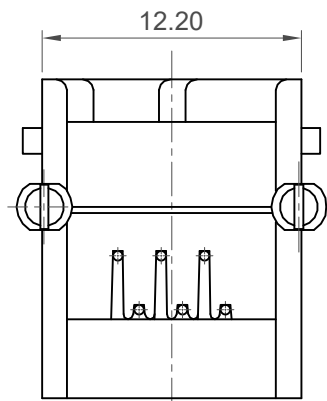
**Electrical**

Current Rating : 1.5 Amp  
Current Voltage : 125V AC RMS  
Contact Resistance : 35 mΩ max.  
Insulation Resistance: 1000 MΩ min. @500V DC  
Dielectric Withstand Voltage :  
1000V AC/DC Peak Between Terminal to Terminal

**Mechanical & Environmental**

Storage Temperature : -10°C to +40°C,  
Relative Humidity <80%  
Operation Temperature : -40°C to +85°C  
Operating Life : 750 Cycles Min.  
Mating/Unmating Force: 22N Max.  
Retention Strength: 57.83N Min.

Wave Soldering Temperature: 245°C ± 5°C, 5s



**Recommended PCB Layout**  
Tolerance : ±0.05mm  
Thickness: 1.60mm

**Ordering Grid**

MJ3245 = 66 = 0  Request Samples and Quotation  
No. of Positions/  
Positions Loaded  
66 = 6/6  
Contact Plating  
0 = Gold Flash

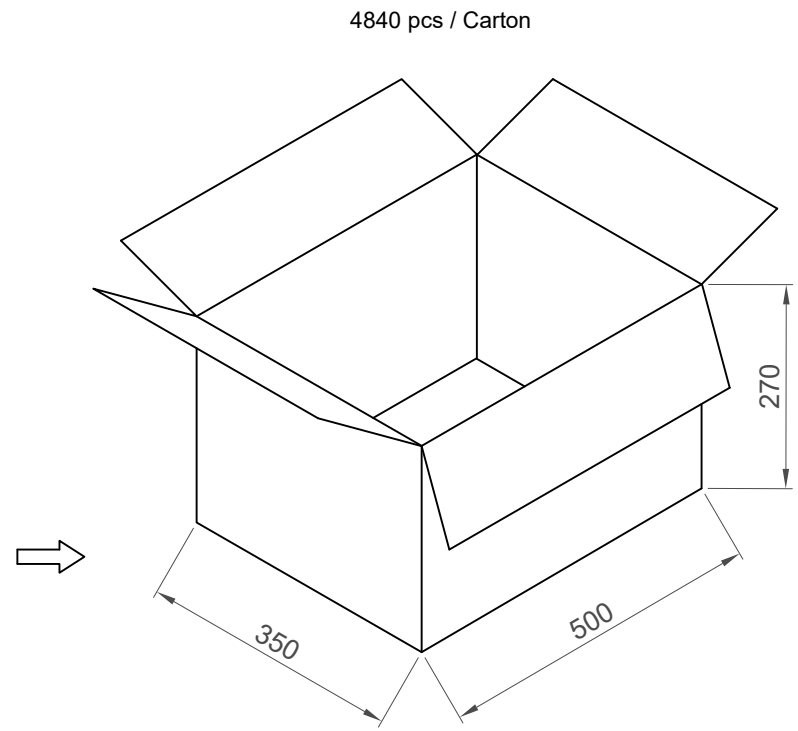
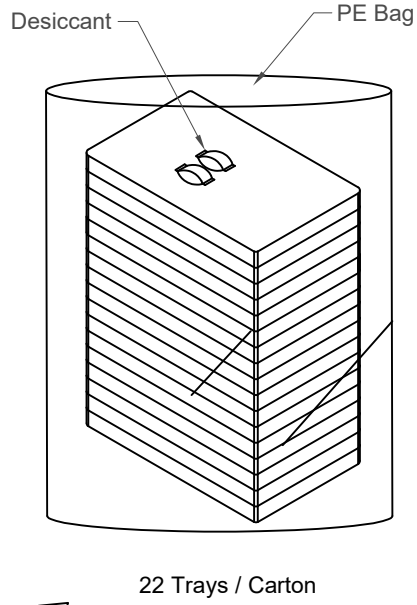
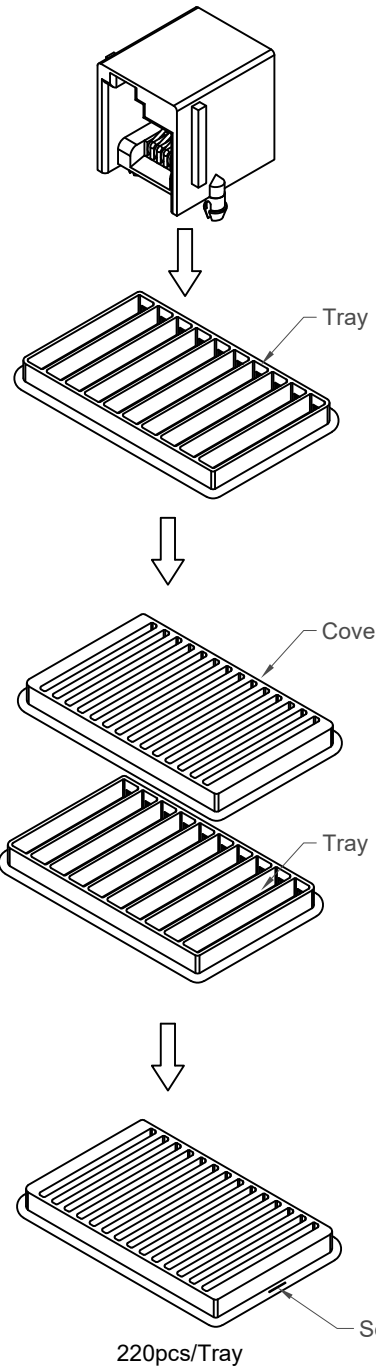
|              |                 |   |             |
|--------------|-----------------|---|-------------|
| Part Number  |                 | Product Description   |             |
| MJ3245-66    |                 | Modular Jack Connector, 6 Position, Right Angle, Through Hole, Offset Latch |             |
| Drawing Date |                 | 2nd April 2021  |             |
| By           | CC              | Tolerances (Except as Noted)  | Units:      |
| Detail       | Drawing Release | Length<br>X.XX ± 0.15<br>X.X ± 0.20   | Metric (mm) |
| Revision     | A1              | Angle<br>± 0.5°   |             |
| Date         | 22/09/22        |   |             |



This drawing is confidential and copyright of Global Connector Technology, Ltd (GCT). This drawing must not be copied or disclosed without written consent. E & OE



|              |                |                  |
|--------------|----------------|------------------|
| Not to Scale | Drawn By<br>CC | Sheet No.<br>1/2 |
|--------------|----------------|------------------|



| Pcs/Tray | Trays/Carton | Total Quantity |
|----------|--------------|----------------|
| 220      | 22           | 4840           |

|              |                 |   |  |
|--------------|-----------------|---|--|
| Part Number  |                 | Product Description   |  |
| MJ3245-66    |                 | Modular Jack Connector, 6 Position, Right Angle, Through Hole, Offset Latch |  |
| Drawing Date |                 | 2nd April 2021  |  |
| By           | CC              | Tolerances (Except as Noted)  | Units:   |
| Detail       | Drawing Release | Length  | Metric (mm)  |
| Revision     | A1              | X.XX ± 0.15   | <br><b>RoHS COMPLIANT</b><br>2011/65/EU<br>Deca-SIDE |
| Date         | 22/09/22        | X.X ± 0.20  |  |
|              |                 | <br>3rd Angle Projection  |  |

© This drawing is confidential and copyright of Global Connector Technology, Ltd (GCT). This drawing must not be copied or disclosed without written consent. E & OE

**GCT**  
www.gct.co

Not to Scale    Drawn By CC    Sheet No. 2/2

# Mouser Electronics

Authorized Distributor

Click to View Pricing, Inventory, Delivery & Lifecycle Information:

[Global Connector Technology \(GCT\):](#)

[MJ3245-66-0](#)