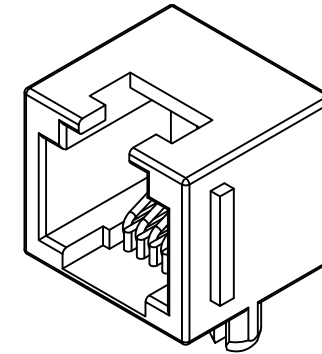


**Recommended PCB Layout**  
Tolerance : ±0.05mm  
Thickness: 1.60mm



**Specifications**

**Material**

Insulator: PBT, UL 94V-0, Black  
Contact: Phosphor Bronze, Ø=0.46mm

**Plating**

See Ordering Grid

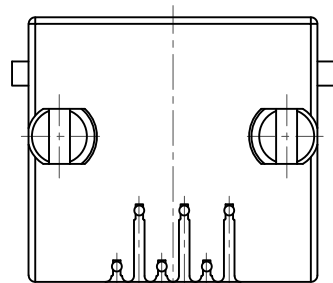
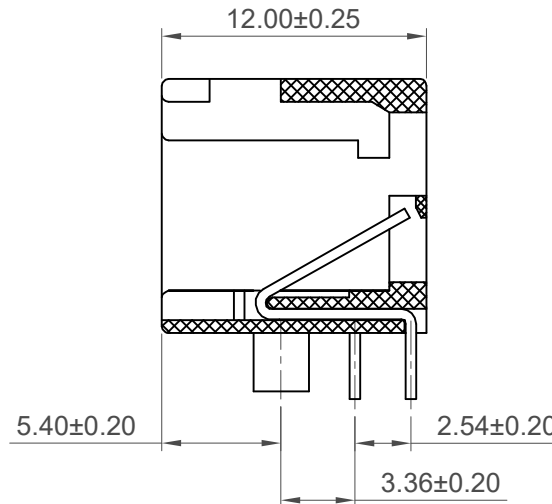
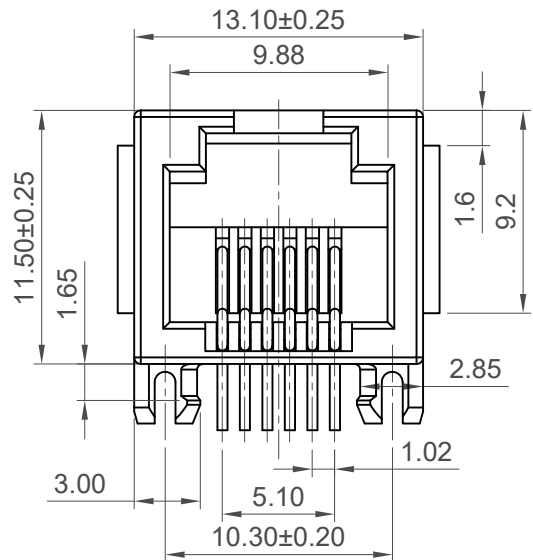
**Electrical**

Current Rating : 1.5 Amp  
Current Voltage : 150V AC RMS  
Contact Resistance : 30 mΩ max.  
Insulation Resistance: 500 MΩ min.  
Dielectric Withstand Voltage :  
1000V AC Between Terminal to Terminal

**Mechanical & Environmental**

Storage Temperature : -10°C to +70°C,  
Relative Humidity <80%  
Operation Temperature : -40°C to +85°C  
Operating Life : 750 Cycles Min.  
Mating/Unmating Force: 30N Max.  
Retention Strength: 50N for 60s±5s

Wave Soldering Temperature: 245°C ± 5°C, 5s



**Ordering Grid**

**MJ3240** — **66** — **2** Request Samples and Quotation  
No. of Positions/  
Positions Loaded  
66 = 6/6 Contact Plating  
2 = 6µ" Gold

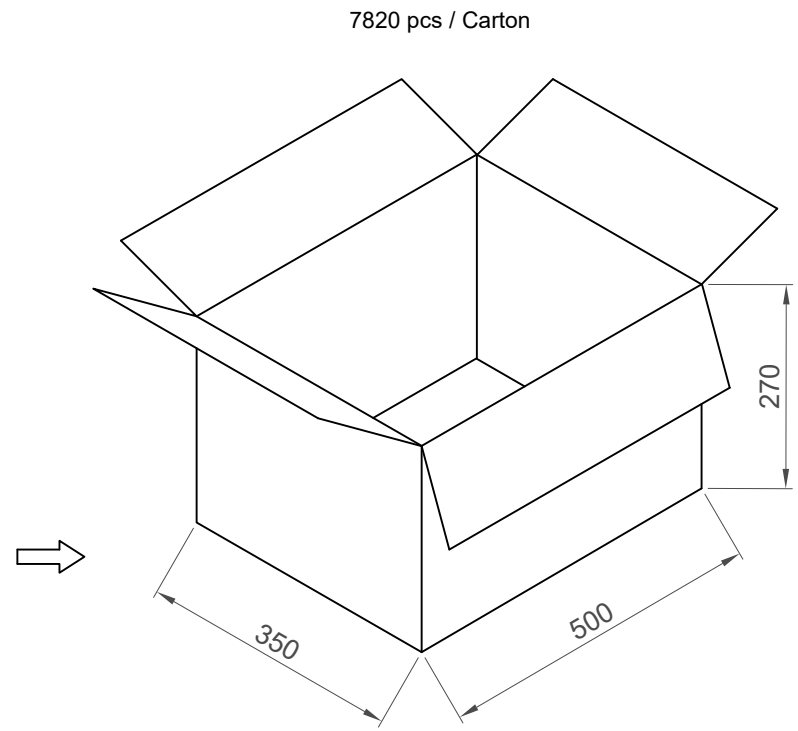
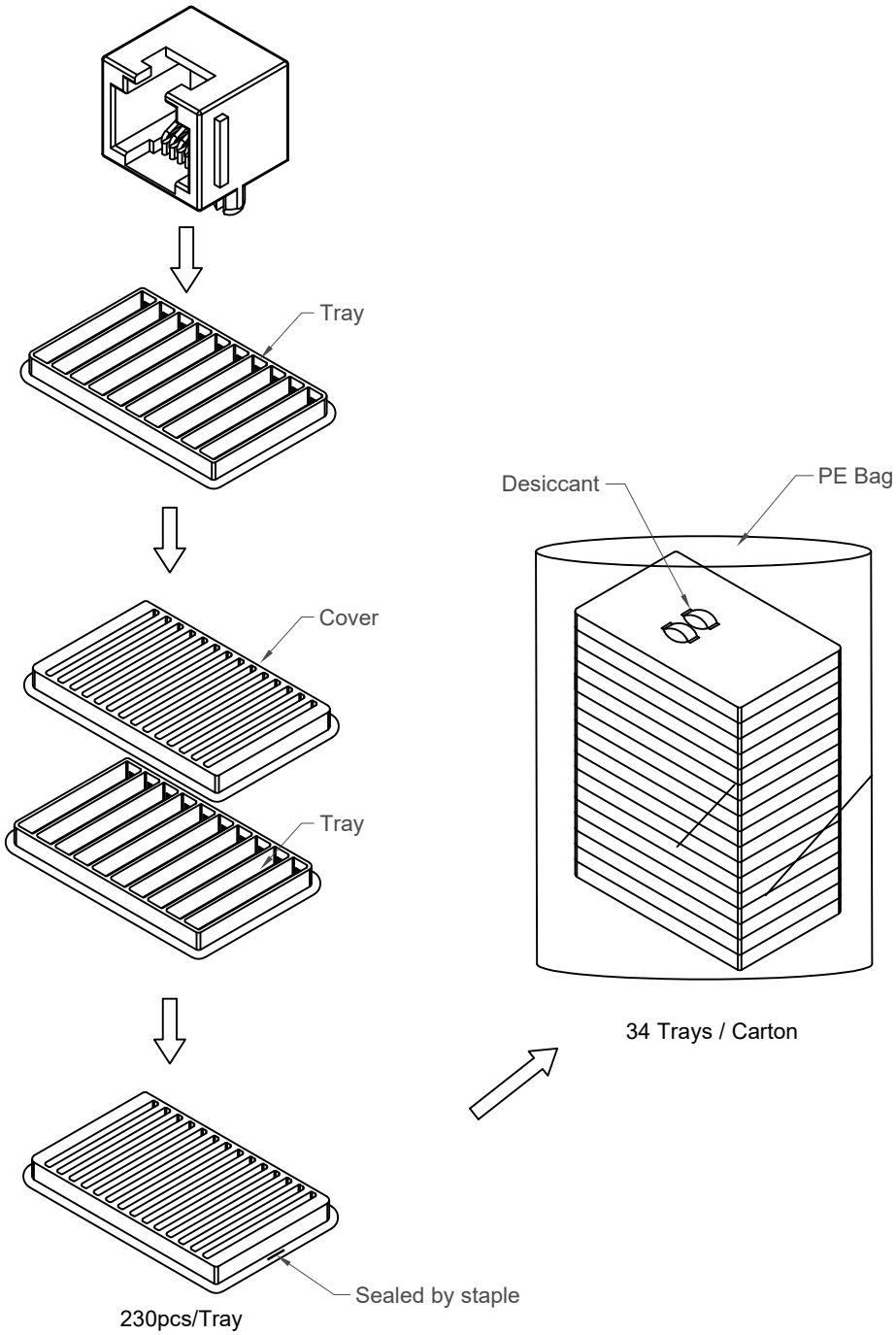
Part Number		Product Description	
MJ3240-66		Modular Jack Connector, Right Angle, Through Hole, Low Profile	
Drawing Date		2nd April 2021	
By	CC	Tolerances (Except as Noted)	Units:
Detail	Drawing Release	Length X.XX ± 0.15 X.X ± 0.20	Metric (mm)
Revision	A1	Angle ± 1°	
Date	22/09/22		






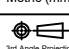
This drawing is confidential and copyright of Global Connector Technology, Ltd (GCT). This drawing must not be copied or disclosed without written consent. E & OE



Not to Scale | Drawn By CC | Sheet No. 1/2



Pcs/Tray	Trays/Carton	Total Quantity
230	34	7820 pcs

Part Number		Product Description		 <a href="http://www.gct.co">www.gct.co</a>
MJ3240-66		Modular Jack Connector, Right Angle, Through Hole, Low Profile		
Drawing Date		2nd April 2021		
By	CC	Tolerances (Except as Noted)	Units:	  This drawing is confidential and copyright of Global Connector Technology, Ltd (GCT). This drawing must not be copied or disclosed without written consent. E & OE
Detail	Drawing Release	Length	Metric (mm)	
Revision	A1	X.XX ± 0.15	± 1°	
Date	22/09/22	X.X ± 0.20	 3rd Angle Projection	
		Not to Scale	Drawn By	Sheet No.
			CC	2/2

# Mouser Electronics

Authorized Distributor

Click to View Pricing, Inventory, Delivery & Lifecycle Information:

[Global Connector Technology \(GCT\):](#)

[MJ3240-66-2](#)