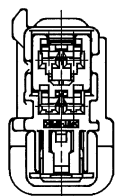
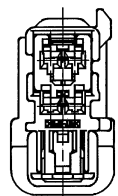
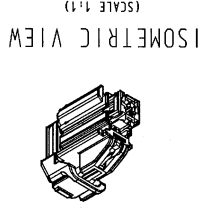
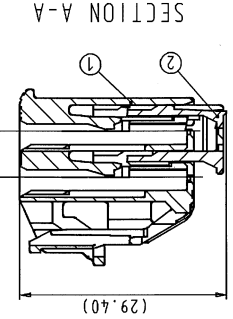
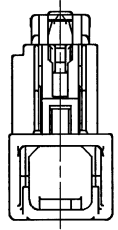
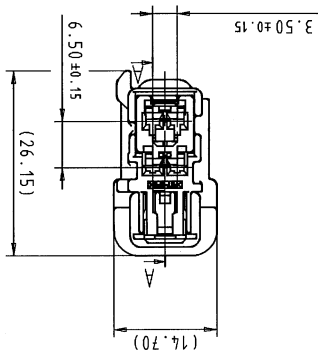


7283-6449-40	7283-3443-60
7283-6449-50	
7283-6449-70	
 TYPE A	
 TYPE B	

LET	DATE	REVISION RECORD	NO.	CHKD
△	02/06/03	NEW	C02-E142	S.T.



GENERAL TOLERANCE		GENERAL TOLERANCE	
A	±0.15	±0.3	±0.5
B	±0.2	±0.3	±0.5
C	±0.3	±0.5	±0.8
①	±0.3	±0.5	±1.4
②	±0.2	±0.5	±1.4
③	±0.3	±0.5	±1.4
④	±0.3	±0.5	±1.4
⑤	±0.3	±0.5	±1.4
⑥	±0.3	±0.5	±1.4
⑦	±0.3	±0.5	±1.4
⑧	±0.3	±0.5	±1.4
⑨	±0.3	±0.5	±1.4
⑩	±0.3	±0.5	±1.4
⑪	±0.3	±0.5	±1.4
⑫	±0.3	±0.5	±1.4
⑬	±0.3	±0.5	±1.4
⑭	±0.3	±0.5	±1.4
⑮	±0.3	±0.5	±1.4
⑯	±0.3	±0.5	±1.4
⑰	±0.3	±0.5	±1.4
⑱	±0.3	±0.5	±1.4
⑲	±0.3	±0.5	±1.4
⑳	±0.3	±0.5	±1.4
㉑	±0.3	±0.5	±1.4
㉒	±0.3	±0.5	±1.4
㉓	±0.3	±0.5	±1.4
㉔	±0.3	±0.5	±1.4
㉕	±0.3	±0.5	±1.4
㉖	±0.3	±0.5	±1.4
㉗	±0.3	±0.5	±1.4
㉘	±0.3	±0.5	±1.4
㉙	±0.3	±0.5	±1.4
㉚	±0.3	±0.5	±1.4
㉛	±0.3	±0.5	±1.4
㉜	±0.3	±0.5	±1.4
㉝	±0.3	±0.5	±1.4
㉞	±0.3	±0.5	±1.4
㉟	±0.3	±0.5	±1.4
㊱	±0.3	±0.5	±1.4
㊲	±0.3	±0.5	±1.4
㊳	±0.3	±0.5	±1.4
㊴	±0.3	±0.5	±1.4
㊵	±0.3	±0.5	±1.4
㊶	±0.3	±0.5	±1.4
㊷	±0.3	±0.5	±1.4
㊸	±0.3	±0.5	±1.4
㊹	±0.3	±0.5	±1.4
㊺	±0.3	±0.5	±1.4
㊻	±0.3	±0.5	±1.4
㊼	±0.3	±0.5	±1.4
㊽	±0.3	±0.5	±1.4
㊾	±0.3	±0.5	±1.4
㊿	±0.3	±0.5	±1.4
MASS	4.2 g		
APPROVED	M. P. PATE		
CHECKED	M. KASHIYAMA		
DESIGN	G. GREGORIS		
DRAWN	J. JELICIC		
DWG NO.	7283-6449-40: R		
SET DWG NO.			
YAZAKI CORPORATION			

NO.	PART NO.	PART NAME	MATERIAL	COLOR	QTY.	YAZAKI MATING PART NO.
①	7183-6449-40	1.5 SYSTEM CONNECTOR	PBT	NATURAL	1	7282-6449-40
②	7158-5977	4P (F) HOUSING (TYPE-A)	PBT	GRAY	1	
③	7158-5977	1.5 SYSTEM CONNECTOR	PBT	NATURAL	1	
④	7183-6449-50	4P (F) HOUSING (TYPE-A)	PBT	ORANGE	1	
⑤	7158-5977	1.5 SYSTEM CONNECTOR	PBT	NATURAL	1	
⑥	7183-6449-70	4P (F) HOUSING (TYPE-A)	PBT	YELLOW	1	
⑦	7158-5977	1.5 SYSTEM CONNECTOR	PBT	NATURAL	1	
⑧	7158-5977	4P (F) FRONT HOLDER	PBT	NATURAL	1	
⑨	7183-3443-60	1.5 SYSTEM CONNECTOR	PBT	GREEN	1	7282-3443-60
⑩	7183-3443-60	4P (F) HOUSING (TYPE-B)	PBT	NATURAL	1	

NOTES
 1) MATING PART NO.: SEE TABLE
 2) APPLICABLE TERMINAL PART NO.: 7116-4100-02 ETC.

A2
A
B
C
1
2
3
4
5

Mouser Electronics

Authorized Distributor

Click to View Pricing, Inventory, Delivery & Lifecycle Information:

Yazaki:

7283644940