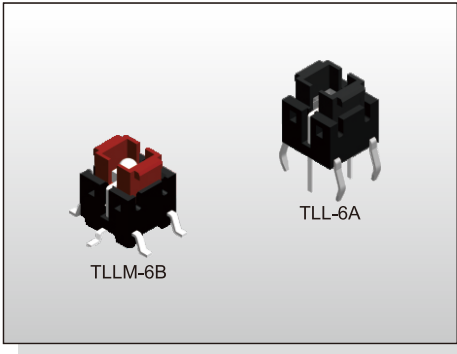


ILLUMINATED SWITCH TL(L)(M)-6 SERIES

Tact Switch Illuminated



ILLUMINATED SWITCH



FEATURES

- ※ Super bright LED
- ※ Various LED colors
- ※ Options of different cap color

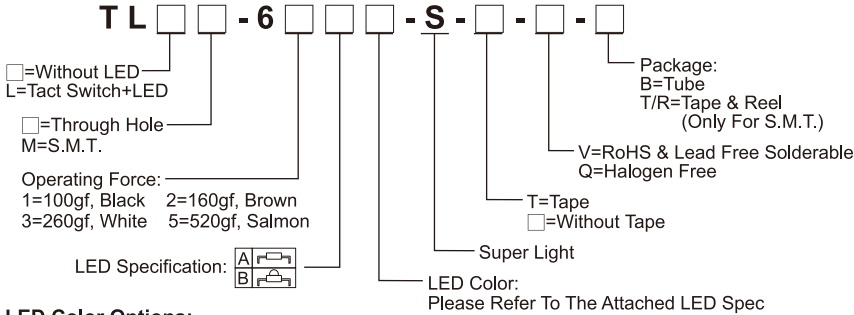
APPLICATION

- ※ Server
- ※ Laptop, IPC
- ※ Set-top box

SPECIFICATION

Contact Rating	50mA, 12V DC	
Contact Resistance	100mΩ max.	
Insulation Resistance	100MΩ min. 500V DC	
Dielectric Strength	250V AC/1 minute	
Operating Force	100±50gf	TL(L)-61
	160±50gf	TL(L)-62
	260±50gf	TL(L)-63
	520±130gf	TL(L)-65
Travel	0.2mm	
Operating Life	200,000 cycles for 520/260gf 500,000 cycles for 160/100gf	
Operating Temp.	-25°C ~ +70°C	
Storage Temp.	-30°C ~ +80°C	

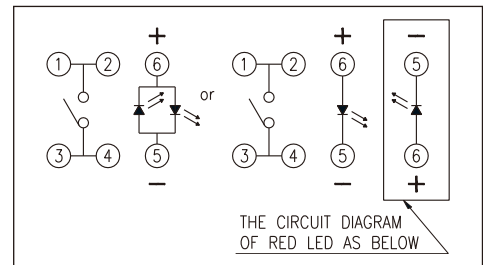
HOW TO ORDER



LED Color Options:

Part No.	Color	Dominant Wavelength λ_d Typ.(nm)	Luminous Intensity I_v (mcd)		Forward Voltage V_f (V)		View Angle 2- $\theta_{1/2}$ (Degree)	
			A	B	Typ.	Max.	A	B
B	Blue	470	70	1100	3.0	3.6	140°	30°
PG	Pure Gree	520	160	2500	3.2	3.6		
G	Yellow Green	570	30	550	2.0	2.3		
Y	Yellow	590	60	1500	2.0	2.3		
A	Soft Orange	605	50	1500	2.0	2.3		
O	Red Orange	620	80	3000	2.0	2.3		
R	Red	630	60	1000	2.0	2.3		
W	Cold White	X:0.30 / Y:0.30	350	550	3.0	3.6		

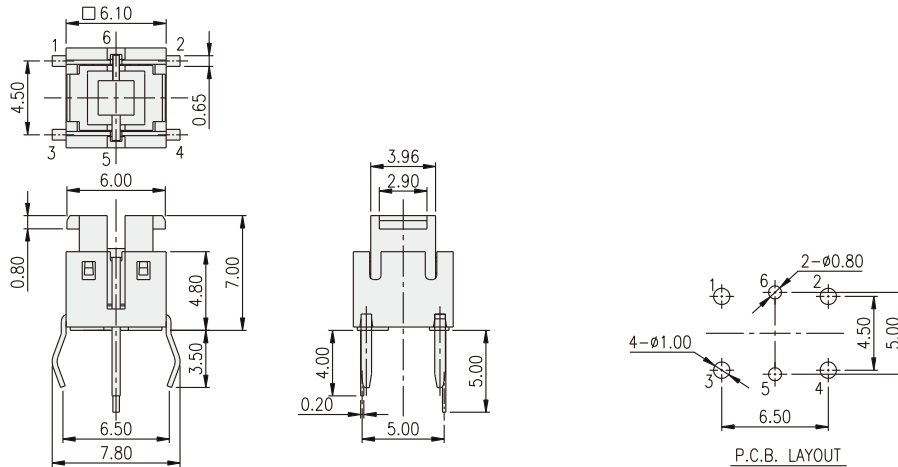
CIRCUIT



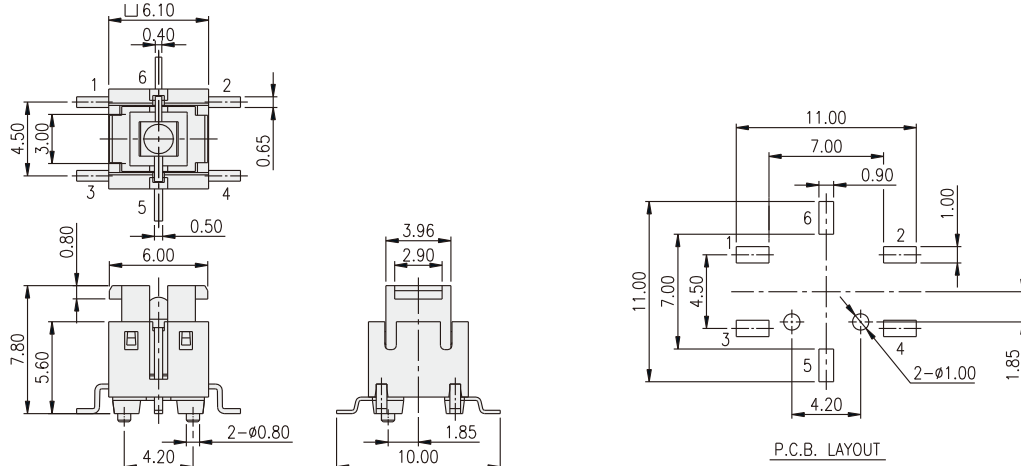
PACKAGE

- <Tube>
75 pcs.
- <Tape & Reel>
450 pcs. (Only for TLLM-6)

TLL-6 A

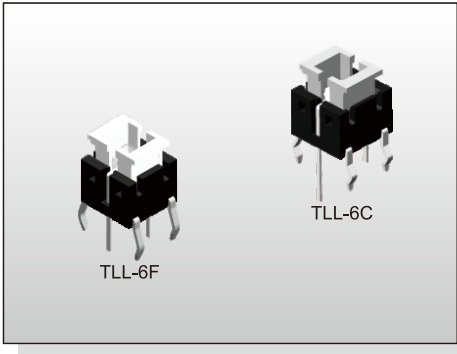


TLLM-6 B



ILLUMINATED SWITCH TL(L)(M)-6 SERIES

Tact Switch Illuminated



FEATURES

- ※ Super bright LED
- ※ Various LED colors
- ※ Options of different cap color

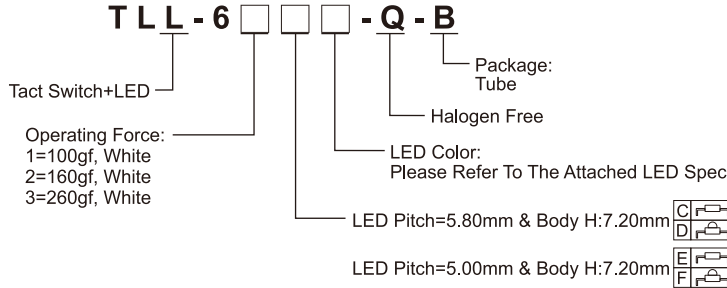
APPLICATION

- ※ Server
- ※ Laptop, IPC
- ※ Set-top box

SPECIFICATION

Contact Rating	50mA, 12V DC	
Contact Resistance	100mΩ max.	
Insulation Resistance	100MΩ min. 500V DC	
Dielectric Strength	250V AC/1 minute	
Operating Force	100±50gf	TL(L)-61
	160±50gf	TL(L)-62
	260±50gf	TL(L)-63
Travel	0.2mm	
Operating Life	200,000 cycles for 260gf	
	500,000 cycles for 160/100gf	
Operating Temp.	-25°C ~ +70°C	
Storage Temp.	-30°C ~ +80°C	

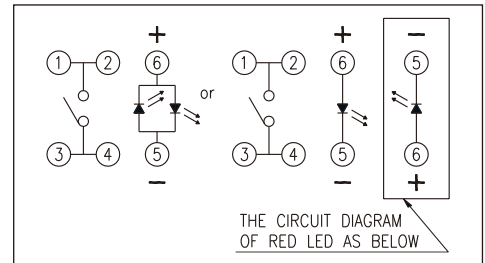
HOW TO ORDER



LED Color Options:

Part No.	Color	Dominant Wavelength λ _d Typ.(nm)	Luminous Intensity I _v (mcd)		Forward Voltage V _f (V)		View Angle 2-θ _{1/2} (Degree)	
			Typ.	Typ.	Typ.	Max.	C, E	D, F
B	Blue	470	70	1100	3.0	3.6	140°	30°
PG	Pure Gree	520	160	2500	3.2	3.6		
G	Yellow Green	570	30	550	2.0	2.3		
Y	Yellow	590	60	1500	2.0	2.3		
A	Soft Orange	605	50	1500	2.0	2.3		
O	Red Orange	620	80	3000	2.0	2.3		
R	Red	630	60	1000	2.0	2.3		
W	Cold White	X:0.30 / Y:0.30	350	550	3.0	3.6		

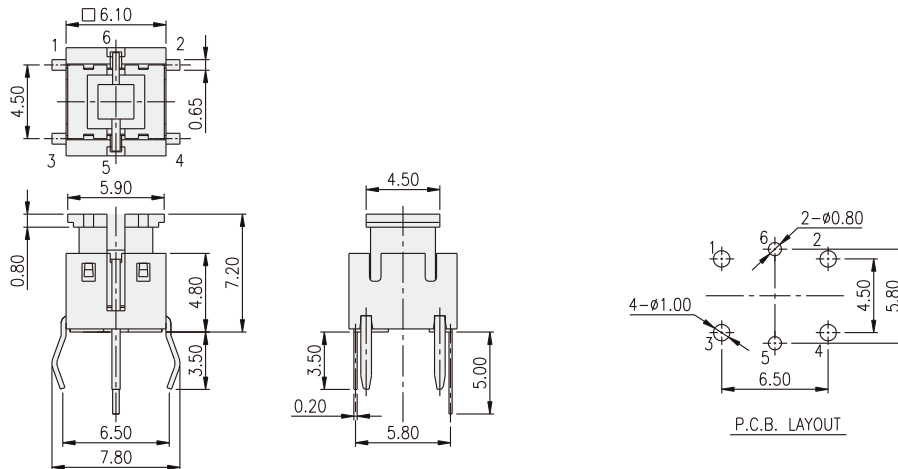
CIRCUIT



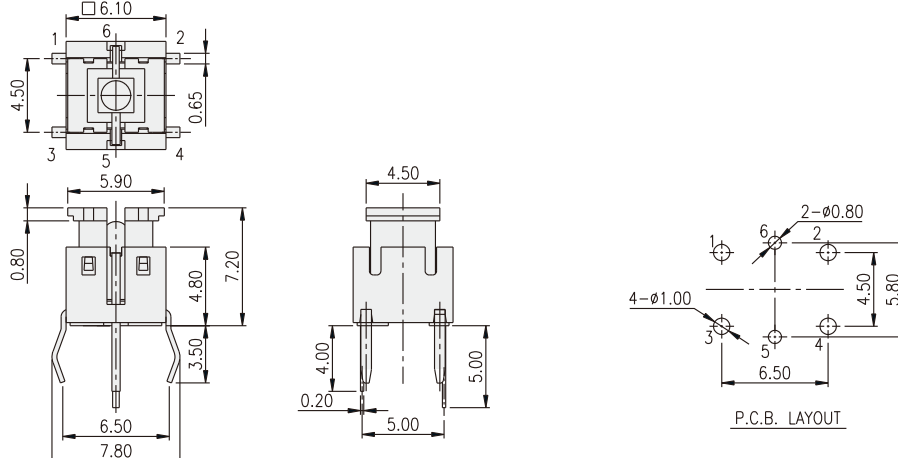
PACKAGE

<Tube>
75 pcs.

TLL-6□C



TLL-6□F



Mouser Electronics

Authorized Distributor

Click to View Pricing, Inventory, Delivery & Lifecycle Information:

Diptronics:

[TLLM-62BG-S-V-T/R](#) [TLL-61AW-S-V-B](#) [TLL-62AB-S-V-B](#) [TLL-62BRB-S-V-B](#) [TLLM-62AA-S-V-T/R](#) [TLL-65AB-S-V-B](#)
[TLLM-61BW-S-V-T/R](#) [TLL-63BPG-S-V-B](#) [TLL-62AR-S-V-B](#) [TLL-62AY-S-V-B](#) [TLL-65AW-S-V-B](#) [TLLM-62BRB-S-V-](#)
[T/R](#) [TLLM-62BB-S-V-T/R](#) [TLLM-62APG-S-V-T/R](#) [TLL-63AG-S-V-B](#) [TL-65-V-B](#) [TLL-62BPG-S-V-B](#) [TLLM-62BW-S-V-](#)
[T/R](#) [TLL-65BB-S-V-B](#) [TLL-62AG-S-V-B](#) [TL-61-V-B](#) [TLL-62AA-S-V-B](#) [TLLM-61BR-S-V-T/R](#) [TLL-65BY-S-V-B](#) [TLL-](#)
[61AR-S-V-B](#) [TLLM-62BR-S-V-T/R](#) [TLLM-63BW-S-V-T/R](#) [TLL-61AA-S-V-B](#) [TLL-62APG-S-V-B](#) [TLL-61AG-S-V-B](#) [TLL-](#)
[61BA-S-V-B](#) [TLLM-62AB-S-V-T/R](#) [TLL-62BO-S-V-B](#) [TLL-62BA-S-V-B](#) [TLL-61BB-S-V-B](#) [TLLM-63BB-S-V-T/R](#) [TLL-](#)
[65BW-S-V-B](#) [TLL-65AA-S-V-B](#) [TLL-65AR-S-V-B](#) [TLLM-65AA-S-V-T/R](#) [TLL-61BR-S-V-B](#) [TLL-61BG-S-V-B](#) [TLL-](#)
[65BPG-S-V-B](#) [TLLM-63BA-S-V-T/R](#) [TLL-62BW-S-V-B](#) [TL-63-V-B](#) [TLLM-62BY-S-V-T/R](#) [TLL-65BR-S-V-B](#) [TLLM-](#)
[65BB-S-V-T/R](#) [TLLM-62BPG-S-V-T/R](#) [TLLM-63AG-S-V-T/R](#) [TLL-63BW-S-V-B](#) [TLLM-63AW-S-V-T/R](#) [TLLM-62AW-S-](#)
[V-T/R](#) [TLLM-63AA-S-V-T/R](#) [TLL-65BG-S-V-B](#) [TL-62-V-B](#) [TLL-62BRG-S-V-B](#) [TLL-65AG-S-V-B](#) [TLL-63AR-S-V-B](#)
[TLLM-61BB-S-V-T/R](#) [TLL-65BA-S-V-B](#) [TLLM-63BG-S-V-T/R](#) [TLL-61AB-S-V-B](#) [TLL-63BA-S-V-B](#) [TLL-63AA-S-V-B](#)
[TLLM-62AR-S-V-T/R](#) [TLLM-65AB-S-V-T/R](#) [TLL-63AB-S-V-B](#) [TLLM-62BRG-S-V-T/R](#) [TLL-63BR-S-V-B](#) [TLL-63AW-S-](#)
[V-B](#) [TLL-62BB-S-V-B](#) [TLL-63BB-S-V-B](#) [TLL-62AW-S-V-B](#) [TLL-63BG-S-V-B](#) [TLL-62BG-S-V-B](#) [TLL-62BR-S-V-B](#) [TLL-](#)
[63BY-S-V-B](#)