



## Buccaneer®

A full range of IP68 rated environmentally sealed circular connectors designed to provide secure and safe connections in harsh or hostile conditions. The range consists of Mini, Standard and the heavy duty, high current 900 Series. With a wide choice of alternatives from 2 to 25 poles, BNC connections and screw, solder or crimp terminations, the Buccaneer series provide the answer to many design problems.

Screw terminations ensure simple 'field' connection, whilst crimp terminations fulfil the requirement for fast and effective volume connections. Each range has flex cable connector, in-line flex cable connectors and panel mounting connector options.

The Buccaneer® series find numerous applications either in external environments or where protection against the ingress of moisture is needed.



Type		Page
<b>900 Series Buccaneer</b>		
PX0911 - PX0921	Cable Mounting	15
PXA911 - PXA921	Cable Mounting - Large dia. cable	15
PX0931 - PX0941	Chassis Mounting	16
PX0950 - PX0980	Bulkhead & Accessories	17
<b>Standard Buccaneer</b>		
PX0727 - PX0769	2 - 9 pole	20-21
PX0820 - PX0824	25 pole	20-21
PX0733 - PX0734	Accessories	22
PX0777	In-line Cable Joiner	24
<b>Mini Buccaneer</b>		
PX0800 - PX0805	Body Styles	26
PX0810 - PX0811	Accessories	27

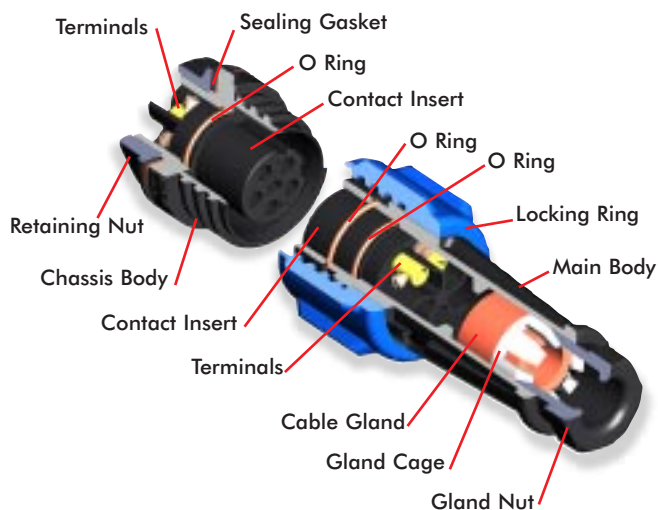
For other sealed products featured in this catalogue please refer to relevant pages:

Type	Page
Panel Mounting Fuseholders	150
In-Line Fuseholders	154
LEDs	160
Switches	166-176
Switch Seals	188
Sealed Screws	188

## 900 Series Buccaneer®



**IP68**



- 32A, 600V ac/dc current rating
- 2, 3, 4, 5 and 7 pole
- Plug or socket connection in each body style
- Water and dustproof to IP68 when mated
- 'Scoop proof' contacts
- Field termination - screw terminations
- Optional internally sealed contacts
- Positive locating keyways - cannot be misconnected
- Sealing caps available to maintain IP68 rating of unmated connectors
- Leading earth contact for 3, 4, 5 and 7 pole versions
- Trailing Neutral on 5 pole
- Compact design
- Easy assembly - no special tools required
- Single or 3 phase applications
- Alternative polarisation keyways on contact inserts (excluding 7 pole)
- Bulkhead moulding available for use with flange mounting body for 45° or 90° mounting (order each separately)
- Cost effective solution
- Two body versions - 15mm and 22mm cable diameters

## 900 Series Buccaneer®

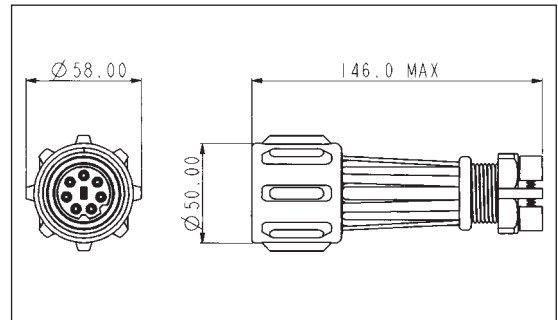
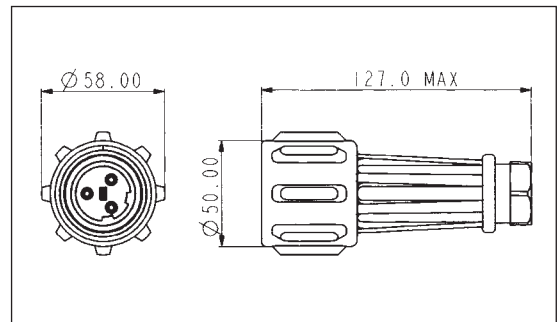


PX0911/xx/x



PXA911/xx/x

- Flex cable connector
- Positive, fast acting locking ring - can be turned with a gloved hand
- Mates with cable or panel styles
- Plug or socket versions
- PX0 Series 13-15mm cable dia. as standard, 7-13mm with additional gland pack
- PXA Series 20-22mm cable dia. as standard, 14-20mm with additional gland pack
- Strain Relief Clamp (PXA Series only)



### Flex Cable

Standard Cable	Large Cable	Description	Standard Cable	Large Cable	Description
PX0911/02/P	PXA911/02/P	2 pole Plug	PX0911/02/S	PXA911/02/S	2 pole Socket
PX0911/03/P	PXA911/03/P	3 pole Plug	PX0911/03/S	PXA911/03/S	3 pole Socket
PX0911/04/P	PXA911/04/P	4 pole Plug	PX0911/04/S	PXA911/04/S	4 pole Socket
PX0911/05/P	PXA911/05/P	5 pole Plug	PX0911/05/S	PXA911/05/S	5 pole Socket
PX0911/07/P	PXA911/07/P	7 pole Plug	PX0911/07/S	PXA911/07/S	7 pole Socket

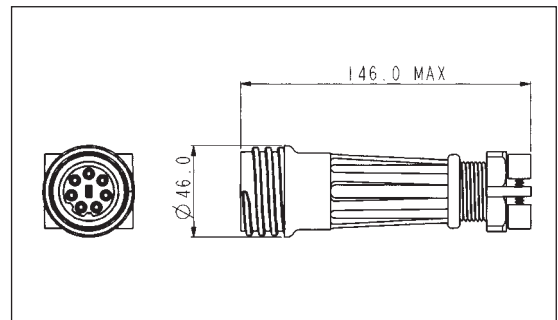
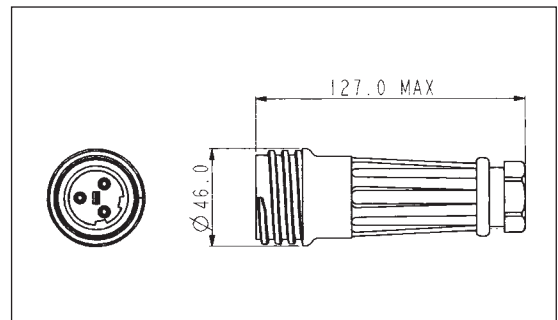


PX0921/xx/x



PXA921/xx/x

- In-line flex cable connector
- Mates with PX0911/xx/x and PXA911/xx/x connectors
- Plug or socket versions
- PX0 Series 13-15mm cable dia. as standard, 7-13mm with additional gland pack
- PXA Series 20-22mm cable dia. as standard, 14-20mm with additional gland pack
- Strain Relief Clamp (PXA Series only)



### In-Line Flex Cable

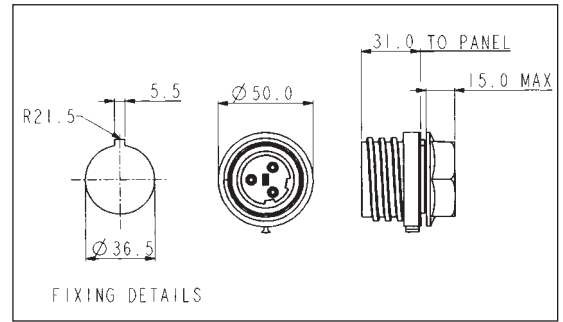
Standard Cable	Large Cable	Description	Standard Cable	Large Cable	Description
PX0921/02/P	PXA921/02/P	2 pole Plug	PX0921/02/S	PXA921/02/S	2 pole Socket
PX0921/03/P	PXA921/03/P	3 pole Plug	PX0921/03/S	PXA921/03/S	3 pole Socket
PX0921/04/P	PXA921/04/P	4 pole Plug	PX0921/04/S	PXA921/04/S	4 pole Socket
PX0921/05/P	PXA921/05/P	5 pole Plug	PX0921/05/S	PXA921/05/S	5 pole Socket
PX0921/07/P	PXA921/07/P	7 pole Plug	PX0921/07/S	PXA921/07/S	7 pole Socket

# BULGIN Buccaneer® Connectors

## 900 Series Buccaneer®



- Chassis mounting connector
- Anti-rotation key
- High grade sealing gasket
- 3-7mm panel thickness
- Mates with PX0911/xx/x and PXA911/xx/x connectors

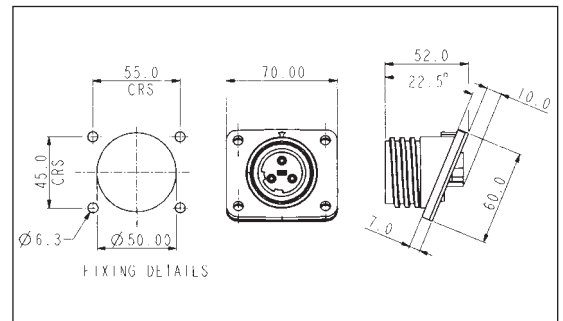


### Chassis Mounting

PX0931/02/P	2 pole Plug	PX0931/02/S	2 pole Socket
PX0931/03/P	3 pole Plug	PX0931/03/S	3 pole Socket
PX0931/04/P	4 pole Plug	PX0931/04/S	4 pole Socket
PX0931/05/P	5 pole Plug	PX0931/05/S	5 pole Socket
PX0931/07/P	7 pole Plug	PX0931/07/S	7 pole Socket



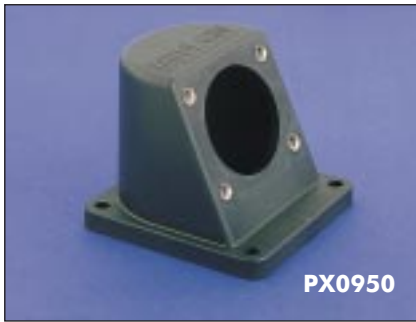
- Flange mounting connector
- Supplied with high grade sealing gasket
- Supplied with sealing grommets for panel fixing screws (M6 thread recommended)
- Mates with PX0911/xx/x and PXA911/xx/x



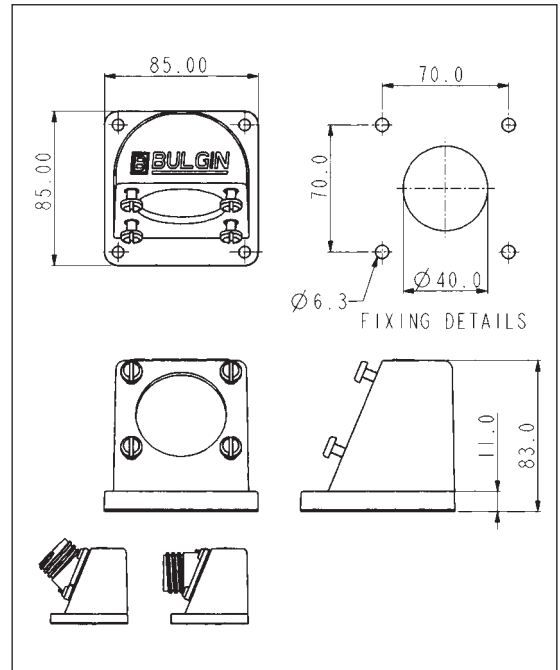
### Flange Mounting

PX0941/02/P	2 pole Plug	PX0941/02/S	2 pole Socket
PX0941/03/P	3 pole Plug	PX0941/03/S	3 pole Socket
PX0941/04/P	4 pole Plug	PX0941/04/S	4 pole Socket
PX0941/05/P	5 pole Plug	PX0941/05/S	5 pole Socket
PX0941/07/P	7 pole Plug	PX0941/07/S	7 pole Socket

## 900 Series Buccaneer®



- Additional bulkhead adaptor moulding
- For use with flange mounting connector PX0941, to give 45° or 90° angle
- Supplied with high grade sealing gasket
- Supplied with sealing grommets for panel fixing screws (M6 thread recommended)

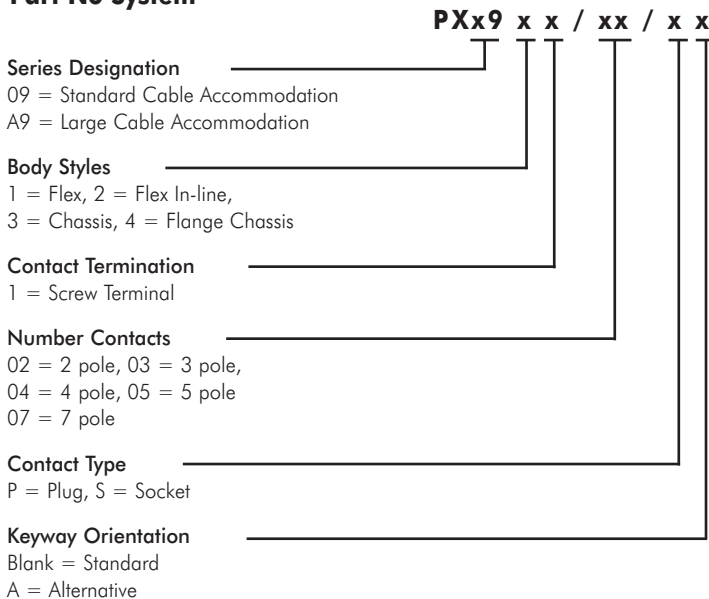


- Sealing caps to maintain IP68 rating of unmated connectors

### Accessories

PX0960	Sealing cap for use with PX0911/xx/x and PXA911/xx/x
PX0970	Sealing cap for use with all other styles
PX0980	Gland pack for 7-13mm cable sizes
PXA980	Gland pack for 14-20mm cable sizes


### Part No System



## 900 Series Buccaneer®

### Specification

#### Electrical:

Current Rating:	32A, per contact
Voltage Rating:	600V ac/dc, 50/60Hz (2, 3, 4, 5 pole) 430V a.c./d.c. 50/60Hz (7 pole)
Contact Resistance:	<10mΩ (initial)
Insulation Resistance:	>10 <sup>9</sup> MΩ (@ 500V dc)
Dielectric strength:	2.2kV ac min
AC Breakdown voltage:	6kV a.c. min.
Operating Temperature Range:	-40°C to +85°C
Approvals:	 pending

#### Mechanical:

Sealing:	IP68, EN60529
Cable Acceptance:	PX0911-PX0921 13 - 15mm O/D standard, 7-13mm with gland pack PXA911-PXA921 20 - 22mm O/D standard, 14 - 20mm with gland pack
Contact Accommodation:	2.5 to 4mm <sup>2</sup> conductor, single or multi stranded
Termination:	Axial screw terminals
Cable Retention force:	15mm dia, 150N 7mm dia, 80N
Tightening Torques:	
Chassis mount nut	2.25 Nm
Cable gland nut	1.69 Nm
Flange & Bulkhead fixing screws	0.9 Nm

#### Material:










Body Mouldings:	Polyamide
Flammability Rating:	UL94V-0
UV Resistance:	To EN50021: 1999
Contacts:	Machined Solid Brass, Nickel plated
O Rings:	Nitrile
Chassis Sealing Gasket:	Silicone Rubber

#### Dimensions:

Overall dimensions of connectors when mated together

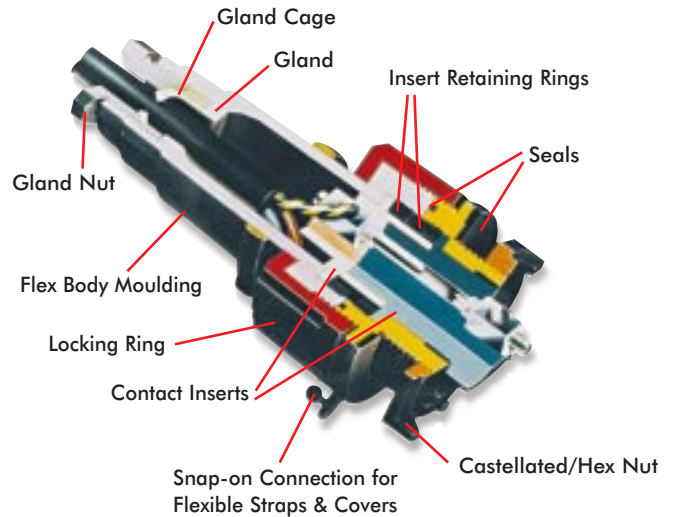
PX0911 + PX0921	230 mm max.
PXA911 + PXA921	270 mm max.
PX0911 + PX0931	135 mm max. (to panel)
PXA911 + PX0931	175 mm max. (to panel)
PX0911 + PX0941	145 mm max. (to panel, mid point on flange)
PXA911 + PX0941	174 mm max. (to panel, mid point on flange)

### Alternative Keyways (to prevent mis-mating)

Poles	2	3	4	5	7
Standard					
Alternative					

**IP68**

# Standard Buccaneer®



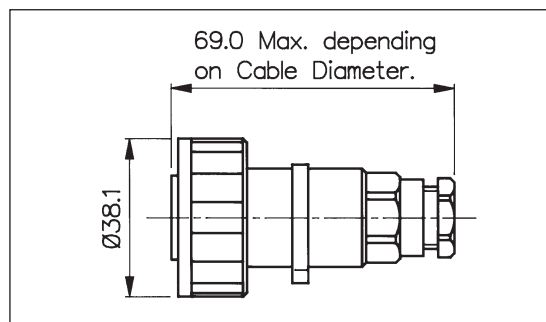
- Overall diameter 38mm
- 2, 3, 4, 6, 7, 9 and 25 pole
- 10A, 250V a.c. 2 & 3 pole screw terminal
- 6A, 250V a.c. 4 pole screw terminal
- 3A, 250V a.c. 6 and 7 pole screw terminal
- 5A, 150V a.c. 9 pole crimp contacts
- 1A, 50V a.c. 25 pole crimp or solder contacts
- Plug or socket connection in each body style
- Water and dustproof to IP68 when mated
- Positive locating keyways - cannot be mis-connected
- Sealing caps available to maintain IP68 rating of unmated connectors
- 5 body styles, Flex, Flex In-Line, Chassis, Bulkhead and Low Profile Flange Chassis
- Leading earth contact for 3 pole socket version
- Compact design
- Easy assembly - no special tools required on screw terminal versions
- Cable range from 3.5mm - 9mm

# BULGIN Buccaneer® Connectors

## Standard Buccaneer®



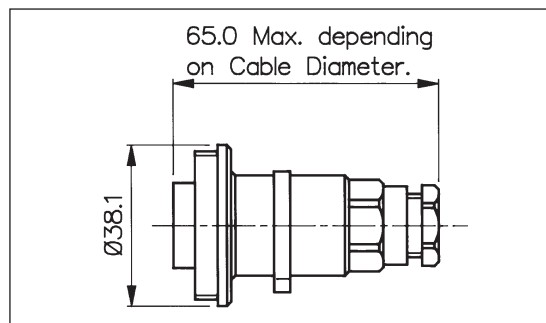
- Flex Cable Connector
- Screw Locking Ring
- IP68 Rating
- Pin or Socket Versions
- Leading Earth on 3 pole connectors
- Poles 2, 3, 4, 6, 7, 9, 25 or BNC
- Standard Cable Acceptance 6-8mm, 3.5-9 mm with alternative glands
- Mates with Flex In-Line or Panel Mounting Versions



Poles	Termination	Pin Contacts	Socket Contacts	Contacts
2	Screw	PX0736/P	PX0736/S	Supplied Fitted
3	Screw	PX0731/P	PX0731/S	Supplied Fitted
4	Screw	PX0748/P	PX0748/S	Supplied Fitted
6	Screw	PX0739/P	PX0739/S	Supplied Fitted
7	Screw	PX0745/P	PX0745/S	Supplied Fitted
9	Crimp	PX0728/P	PX0728/S	Supplied Loose
25	Crimp/Solder	PX0820/P	PX0820/S	Order Separately
50ΩBNC	Crimp	PX0742/P/50Ω		Supplied Loose
75ΩBNC	Crimp	PX0742/P/75Ω		Supplied Loose



- In-Line Flex Cable Connector
- IP68 Rating
- Pin or Socket Versions
- Leading Earth on 3 pole connectors
- Poles 2, 3, 4, 6, 7, 9, 25 or BNC
- Standard Cable Acceptance 6-8mm, 3.5-9 mm with alternative glands
- Mates with Flex Cable Connector



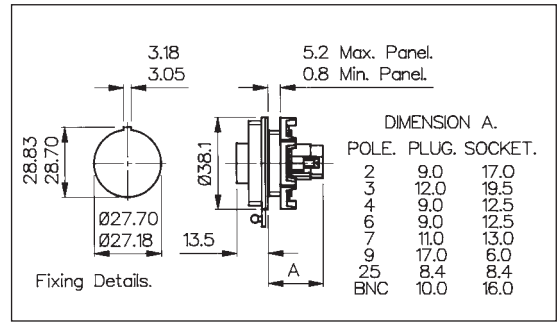
Poles	Termination	Pin Contacts	Socket Contacts	Contacts
2	Screw	PX0737/P	PX0737/S	Supplied Fitted
3	Screw	PX0732/P	PX0732/S	Supplied Fitted
4	Screw	PX0749/P	PX0749/S	Supplied Fitted
6	Screw	PX0740/P	PX0740/S	Supplied Fitted
7	Screw	PX0746/P	PX0746/S	Supplied Fitted
9	Crimp	PX0729/P	PX0729/S	Supplied Loose
25	Crimp/Solder	PX0821/P	PX0821/S	Order Separately
50ΩBNC	Crimp		PX0743/S/50Ω	Supplied Loose
75ΩBNC	Crimp		PX0743/S/75Ω	Supplied Loose



## Standard Buccaneer®



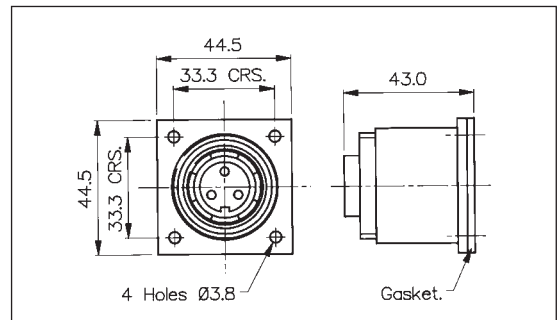
- Chassis Mount Connector
- Single Nut Fixing
- IP68 Rating
- Pin or Socket Versions
- Poles 2, 3, 4, 6, 7, 9, 25 or BNC
- Mates with Flex Cable Connector



Poles	Termination	Pin Contacts	Socket Contacts	Contacts
2	Screw	PX0735/P	PX0735/S	Supplied Fitted
3	Screw	PX0730/P	PX0730/S	Supplied Fitted
4	Screw	PX0747/P	PX0747/S	Supplied Fitted
6	Screw	PX0738/P	PX0738/S	Supplied Fitted
7	Screw	PX0744/P	PX0744/S	Supplied Fitted
9	Crimp	PX0727/P	PX0727/S	Supplied Loose
25	Crimp/Solder	PX0822/P	PX0822/S	Order Separately
50ΩBNC	Crimp		PX0741/S/50Ω	Supplied Loose
75ΩBNC	Crimp		PX0741/S/75Ω	Supplied Loose



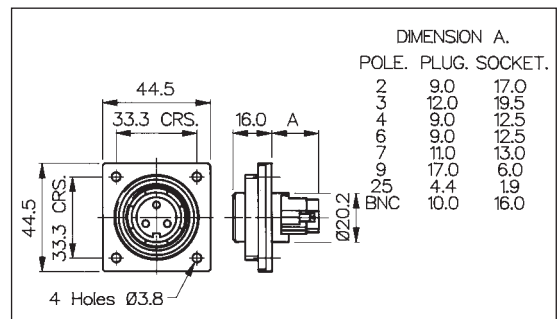
- Bulkhead Surface Mount Connector
- Screw Fixing Flange
- IP68 Rating
- Pin or Socket Versions
- Poles 2, 3, 4, 6, 7, 9, 25 or BNC
- Mates with Flex Cable Connector



Poles	Termination	Pin Contacts	Socket Contacts	Contacts
2	Screw	PX0757/P	PX0757/S	Supplied Fitted
3	Screw	PX0756/P	PX0756/S	Supplied Fitted
4	Screw	PX0761/P	PX0761/S	Supplied Fitted
6	Screw	PX0758/P	PX0758/S	Supplied Fitted
7	Screw	PX0760/P	PX0760/S	Supplied Fitted
9	Crimp	PX0762/P	PX0762/S	Supplied Loose
25	Crimp/Solder	PX0823/P	PX0823/S	Order Separately
50ΩBNC	Crimp		PX0759/S/50Ω	Supplied Loose
75ΩBNC	Crimp		PX0759/S/75Ω	Supplied Loose



- Low Profile Flange Mounting Connector
- Screw Flange Fixing
- IP68 Rating
- Pin or Socket Versions
- Poles 2, 3, 4, 6, 7, 9, 25 or BNC
- Mates with Flex Cable Connector



Poles	Termination	Pin Contacts	Socket Contacts	Contacts
2	Screw	PX0764/P	PX0764/S	Supplied Fitted
3	Screw	PX0765/P	PX0765/S	Supplied Fitted
4	Screw	PX0766/P	PX0766/S	Supplied Fitted
6	Screw	PX0767/P	PX0767/S	Supplied Fitted
7	Screw	PX0768/P	PX0768/S	Supplied Fitted
9	Crimp	PX0769/P	PX0769/S	Supplied Loose
25	Crimp/Solder	PX0824/P	PX0824/S	Order Separately
50ΩBNC	Crimp		PX0763/S/50Ω	Supplied Loose
75ΩBNC	Crimp		PX0763/S/75Ω	Supplied Loose

# BULGIN Buccaneer® Connectors

## Standard Buccaneer®

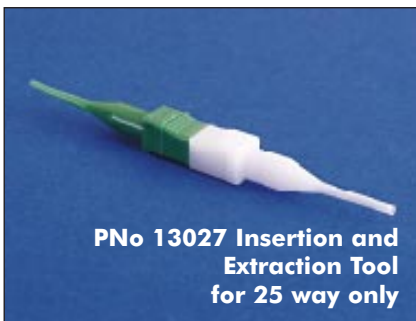
Buccaneer® Connectors



- Contacts for 25 Way Inserts
- Crimp or Solder Pins and Sockets
- 1A, 50V

### Contacts - Solder & Crimp

Contacts (Supplied in packs of 10)	Solder	Crimp
Pins	SA3180/1	SA3180
Sockets	SA3179/1	SA3179



- Insertion and Extraction Tool
- For Use with 25 Way Inserts

### Tools

Crimp Tool (25 Way)	PN0. 13170
Crimp Tool (9 Way)	PN0. 13826
Insertion/Extraction Tool (25 Way)	PN0. 13027
Hex Cavities for BNC Inserts Centre Contact:	1.69 A/F (B.S. 'W'/ERMA XA)
Braid:	6.48 A/F (B.S. 'E'/ERMA XH)



- BNC Inserts
- 50 or 75 ohms available
- Fit all Standard Connector Versions

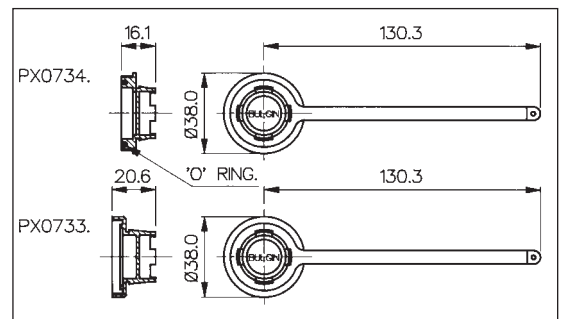
### Cable Acceptance (2-25 Pole)

Cable Diameter	Part Nos. To Order Glands Separately
As fitted (2 - 9 Pole) Part No. /04	∅ 6-8mm 12023 (Black)
Part No. /05	∅ 3.5-5mm 12023/5 (Grey)
Part No. /07	∅ 5-7mm 12023/1 (White)
(As fitted 25 Pole) Gland Pack (all sizes)	∅ 7-9mm 12023/2 (Yellow) SA3253

e.g. PX0731/P/07 = cable acceptance ∅ 7-9mm



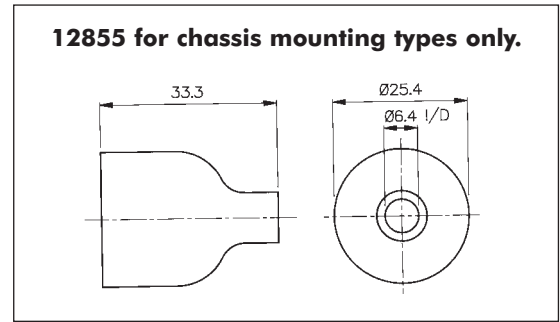
- Sealing Cap Assembly Tools to Maintain IP68 Rating of Unmated Connectors
- Seals Connector and Removes Inserts
- Two Styles, One for Flex Mount and One for Chassis Mount & Flex In-Line Connector



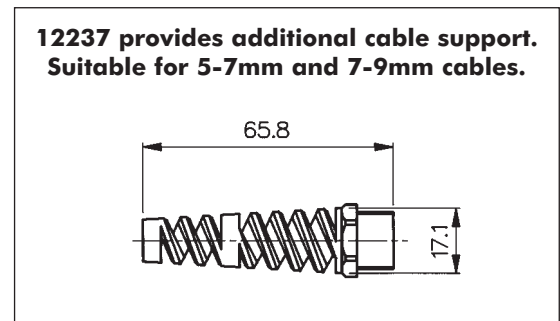
## Standard Buccaneer®




- PVC Boot
- Protects Rear of the Connector
- Flammability Rating UL94V-0
- Fits Chassis Mount Versions only



- Cable Support Accessory
- Gives Extra Support to the Cable
- Suitable for 5-7mm and 7-9mm Cable Diameters



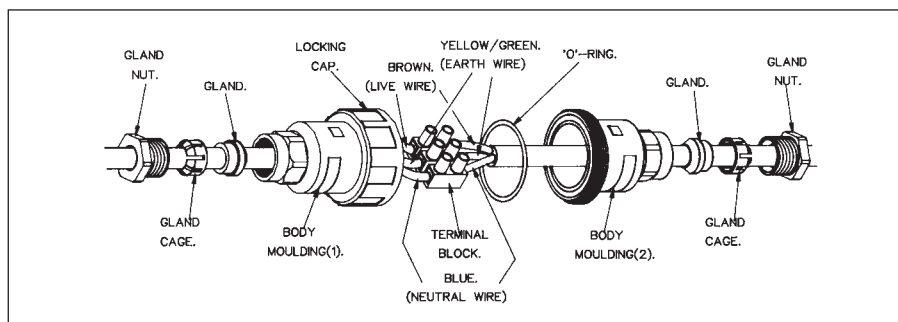
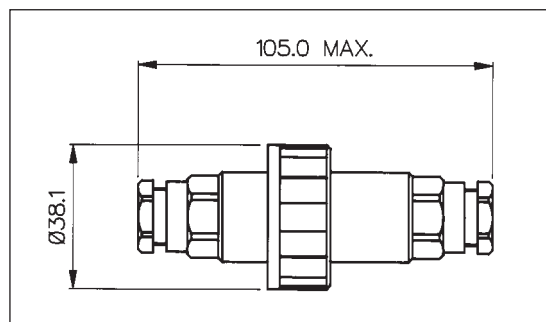
### Specification

Electrical:		Mechanical:	
Current Rating:	2 & 3 Pole 10A, 250V a.c./d.c. 4 Pole 6A, 250V a.c./d.c. 6 & 7 Pole 3A, 250V a.c./d.c. 9 Pole 5A, 150V a.c./d.c. 25 Pole 1A, 50V a.c./d.c.	Sealing:	IP68, BS 5490 : 1977 Tested @ 15lb/sq.in. (10m depth) for 2 wks. BSEN 60529 : 1992 Tested @ 140lb/sq.in. (100m depth) for 12 hrs.
Contact Resistance:	<10mΩ (2-9 Pole) <5mΩ (25 Pole)	Cable Acceptance:	6-8mm O/D (Std. 2-9 Pole, Opt. 25 Pole) 3.5-5mm O/D (Opt. 2-9 Pole, Opt. 25 Pole) 5-7mm O/D (Opt. 2-9 Pole, Opt. 25 Pole) 7-9mm O/D (Opt. 2-9 Pole, Std. 25 Pole) BNC: 50Ω - RG 58/CU, URM43 & URM76 BNC: 75Ω - URM70
Insulation Resistance:	>10 <sup>9</sup> MΩ @ 500V d.c. (2-9 Pole)	Terminations:	Screw Terminals (2-7 Pole) Crimp Contacts – 24-26AWG (9 Pole) Crimp & Solder Contacts – 0.21mm <sup>2</sup> - 0.081mm <sup>2</sup> (25 Pole)
AC Breakdown voltage:	4kV Pole - Pole (2-9 Pole) 6kV Poles - Panel (Low Profile Flange and Chassis Types – 2-9 Pole) 7.5kV Poles - Panel (Other Types – 2-9 Pole)	Tightening Torques:	Flex Mounting/In-Line: Gland Nut: 1.13Nm (10lbf.in.) Panel/Chassis Mounting: Rear Fixing Nut: 1.7Nm (15lbf.in.) Surface/Bulkhead and Low Profile Flange Mounting: 4 Fixing Screws (using washers supplied) 0.34Nm (3lbf.in.)
Operating Temp. Range:	-20°C to +70°C	Sealings Caps/Locking Ring:	1.13Nm (10lbf.in.)
Approvals:	 Reg.-Nr. 1549		
Material:			
Body Mouldings & Inserts:	Glass Filled Nylon UL94HB (2-9 Pole) Nylon UL94V-0 (25 Pole inserts)		
Contacts:			
Screw Terminal:	Brass, Nickel Plated		
Crimp (9 pole):	Copper Alloy, Tin Plated		
Crimp/Solder (25 Pole):	Copper Alloy, Gold Plated (0.1μm on Nickel)		
BNC inserts:	Brass, Nickel Plated		
BNC contacts:	Brass, Silver Plated		

## Sealed In-Line Cable Joiner



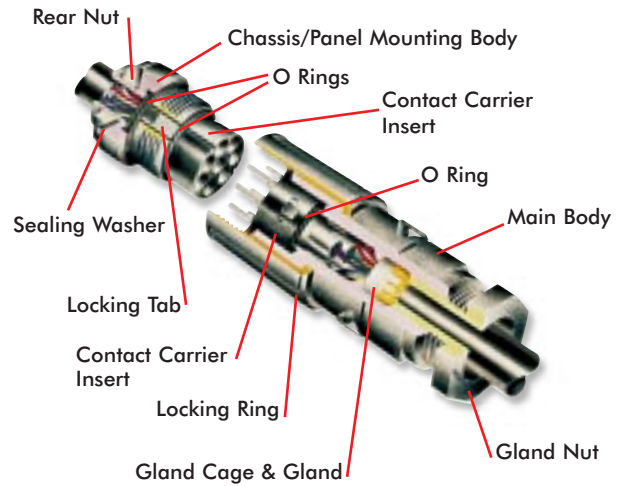
- Sealed In-Line Connector
- IP68 Rating
- For In-Line Connection
- Standard Cable Acceptance 6-8mm
- Cable Range 3.5-9mm (using different glands)
- Available Moulded in Black or Orange



Specification	PX0777
Rating:	6A, 250V a.c.
Wire Termination:	3 way Terminal Block (2.5mm <sup>2</sup> -14 AWG max)
Cable Acceptance:	6-8mm Overall Diameter Standard 3.5-5mm, 5-7mm or 7-9mm Overall Diameter Optional
Material:	
Sealing:	IP68 to BSEN 60529 : 1977
Operating Temp. Range:	-20°C to +70°C
Colour:	Black Orange (Add /OR to P.No.)
BNC Cable Types:	50 ohm – RG58/CU, URM43 & URM76 For BNC version of PX0777 add /50OHM to P.No.

**IP68**

## Mini Buccaneer®

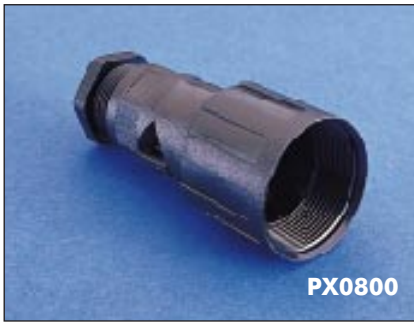


- 5 body styles, Flex, Flex In-Line, Panel/Chassis (2 styles), Panel/Chassis Side Entry
- 2, 3, 4 or 6 pole screw terminal inserts
- 3 or 8 pole solder or crimp inserts
- 50Ω or 75Ω BNC inserts
- Diameter over coupling ring 26mm
- 5A, 380V a.c. 3 & 8 way solder/crimp terminals
- 10A, 250V a.c. 2 & 3 way screw terminals
- 6A, 250V a.c. 4 way screw terminal
- 3A, 150V a.c. 6 way screw terminal

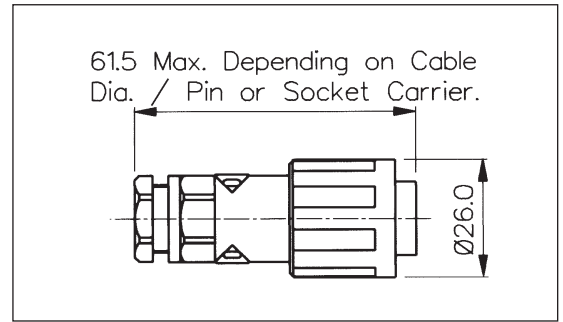
- Plug or socket connection in each body style
- Water and dustproof to IP68 when mated
- Positive locating keyways - cannot be mis-connected
- Sealing caps available to maintain IP68 rating of unmated connectors
- Flammability rating UL94V-0 material
- Leading earth contact for 3 pole plug version
- Compact design
- Easy assembly - no special tools required on screw terminal versions

# BULGIN Buccaneer® Connectors

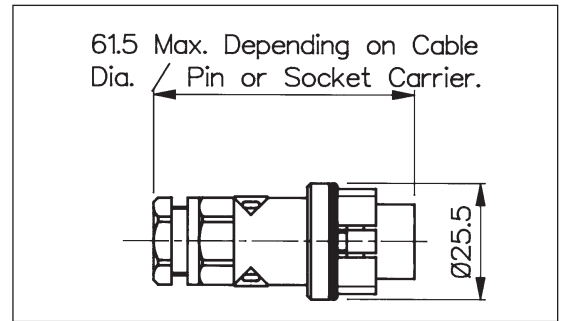
## Mini Buccaneer®



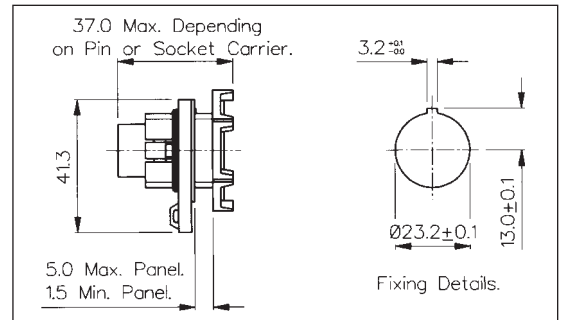
- Flex Cable Connector
- Screw locking ring
- Mates with Flex In-line or Panel Mounting versions
- Suitable for Pin or Socket inserts
- With cap retaining clip for use with PX0811 sealing cap
- Cable Acceptance 3.5-9mm (Standard 5-7mm)



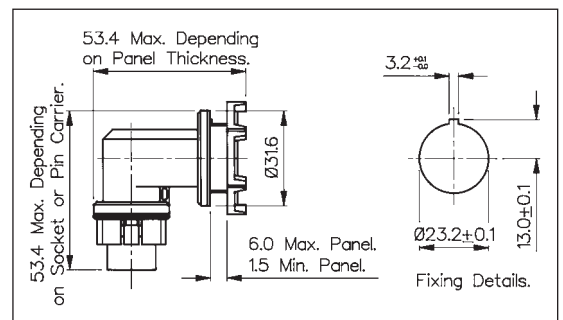
- In-line Flex Cable Connector
- Mates with PX0800
- Suitable for Pin or Socket inserts
- With cap retaining clip for use with PX0810 sealing cap
- Cable Acceptance 3.5-9mm (Standard 5-7mm)



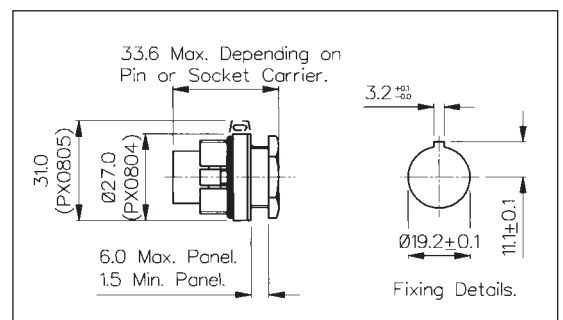
- Chassis Mounting
- Mates with PX0800
- Single nut fixing
- With cap retaining clip for use with PX0810 sealing cap
- Suitable for Pin or Socket inserts



- Chassis Mounting
- Mates with PX0800
- Right angle cable entry
- Single nut fixing
- Suitable for Pin or Socket inserts



- Chassis Mounting
- Mates with PX0800
- PX0804 without sealing cap retaining clip, PX0805 with sealing cap retaining clip
- Single nut fixing
- Suitable for Pin or Socket inserts



## Mini Buccaneer®



- Screw Terminals
- 2, 3, 4 and 6 Poles
- Fits all Body Styles
- Leading Earth Pin on 3, 4 and 6 pole inserts

### Screw Terminal Inserts Fit all body styles.

No. Poles	Socket	Pin
2	SA3319	SA3320
3	SA3229	SA3230
4	SA3242	SA3241
6	SA3244	SA3243



- Contact Carrier
- For Solder or Crimp Contacts
- 3 or 8 Pin
- Fits all Body Styles
- Contacts Supplied Separately

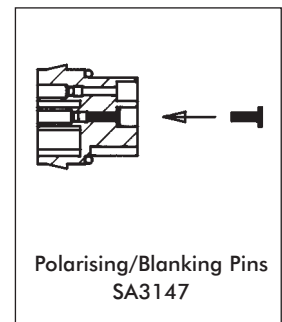
### Solder & Crimp Contact Carrier Inserts Fit all body styles.

No. Poles	Solder	Colour	Crimp	Colour
8 pin	12734/1	Black	12734	Grey
8 socket	12735/1	Black	12735	Grey
3 pin	12734/3/1	Black	12734/3	Grey
3 socket	12735/3/1	Black	12735/3	Grey



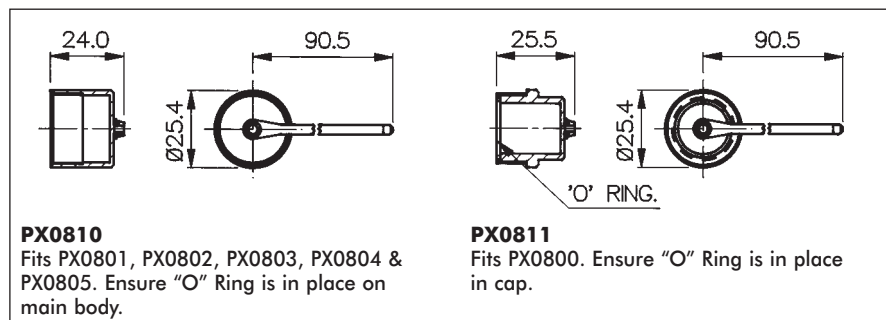
### Contacts - Solder & Crimp

Contacts (Supplied in packs of 10)	Solder	Crimp
Pins	SA3148/1	SA3148
Sockets	SA3149/1	SA3149
Polarising/Blanking Pins	SA3147	
Contact Insertion Tool: Must be used to load contacts into inserts.	SA3150	
Crimping Tool	SA2800	




### BNC Inserts Fit all body styles except PX0803.

Impedance	Contacts	Part No.
50Ω	Plug	SA3159/1
50Ω	Socket	SA3157/1
75Ω	Plug	SA3159
75Ω	Socket	SA3157



## Mini Buccaneer® Contact Inserts and Accessories

### Specification

Electrical	Solder/Crimp Terminals	Screw Terminals	BNC
Rating:	5A, 380V a.c.	2 way 10A, 250V a.c. 3 way 10A, 250V a.c. 4 way 6A, 250V a.c. 6 way 3A, 250V a.c.	
Contact Resistance:	<5mΩ		
Insulation Resistance:	>10 <sup>9</sup> MΩ @ 500V d.c.		
Voltage Proof:	2kV @ 50Hz		
Operating Temp. Range:	-20°C to +70°C		
Approvals:	 * pending		
Materials	Solder/Crimp Terminals	Screw Terminals	BNC
Body Mouldings:	Nylon UL94V-0		
Inserts:	Nylon UL94V-0		
Contacts:	Copper Alloy, Gold Plated (0.1μm) on Nickel	Brass, Nickel Plated	Brass, Silver Plated.
O Rings:	Nitrile		
Mechanical	Solder/Crimp Terminals	Screw Terminals	BNC
Sealing:	Protection Classification IP68, BS EN60529: 1992		
Cable Acceptance	5 - 7mm Overall dia (Standard) 3.5 - 5mm Overall dia (Optional) 6 - 8 mm Overall dia (Optional) 7 - 9mm Overall dia (Optional)		
Conductors:	0.2 - 0.5mm <sup>2</sup> (20 - 24 AWG)	1mm <sup>2</sup> max (18 AWG)	50Ω: RG58/CU, URM43, URM76 75Ω: URM70
Insertion Force (typical):	3 way: 5N (1.1lbf) 8 way: 14N (3.1lbf)	3 way: 45N (10lbf) 4 way: 50N (11lbf) 6 way: 140N (31lbf)	
Withdrawal Force (typical):	3 way: 3N (0.66lbf) 8 way: 12N (2.6lbf)	3 way: 32N (7lbf) 4 way: 40N (9lbf) 6 way: 150N (34lbf)	
Tightening Torques			
Gland Nut, PX0800, 801:	1.13Nm (10lbf in)		
Rear Nut, PX0802, 803, 804, 805:	0.7Nm min, 1.7Nm max (6.2lbf in min, 15lbf in max)		
Sealing Cap, PX0810, 811:	0.23Nm min, 1.13Nm max (2lbf in min, 10lbf in max)		

### How To Order

- 1 Choose Body Type.
- 2 Determine Contact Carrier Inserts. Choose number poles, and type of contacts (solder, crimp, screw terminal or BNC).
- 3 Choose Pins or Sockets. Solder and crimp contacts are supplied separately in packs of ten.
- 4 Choose Polarising/Blanking Pins. If required for solder/crimp contact inserts. Supplied in packs of ten.
- 5 Contact Insertion Tool (required to load solder/crimp contacts into inserts).
- 6 Crimping Tool (if required for crimp contacts).
- 7 Sealing Cap (if required).

### Cable Acceptance 5 - 7mm fitted as standard

	Cable dia.	Part Nos. To Order Glands Separately	Sealing Gland Colour
As Fitted	5 - 7mm	12023/1	White
Suffix /04	3.5 - 5mm	12023/5	Grey
Suffix /06	6 - 8mm	12023	Black
Suffix /07	7 - 9mm	12023/2	Yellow

To order body with alternative cable gland add suffix to part no. e.g.  
PX0800/06 = PX0800 body with cable gland to suit 6-8mm dia. cable.