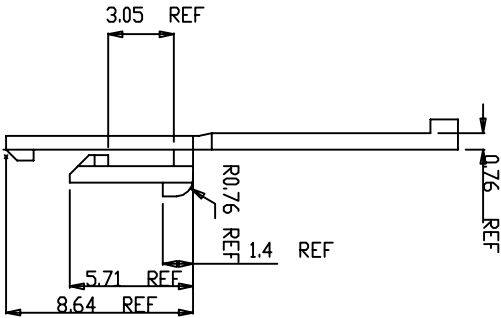
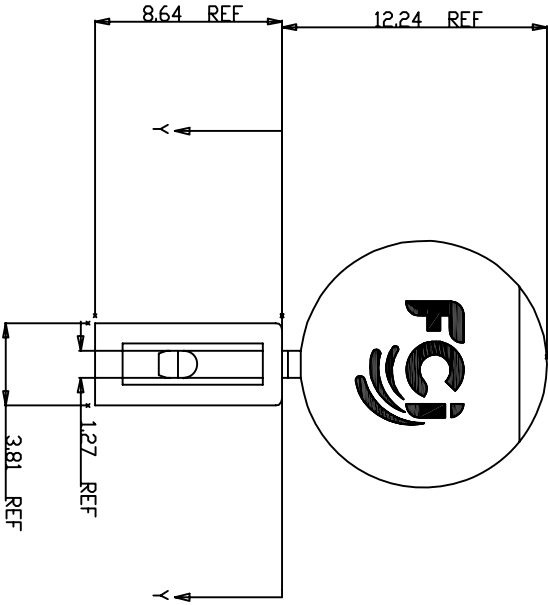
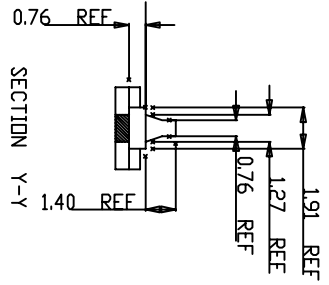




PRODUCT NO
SEE TABLE

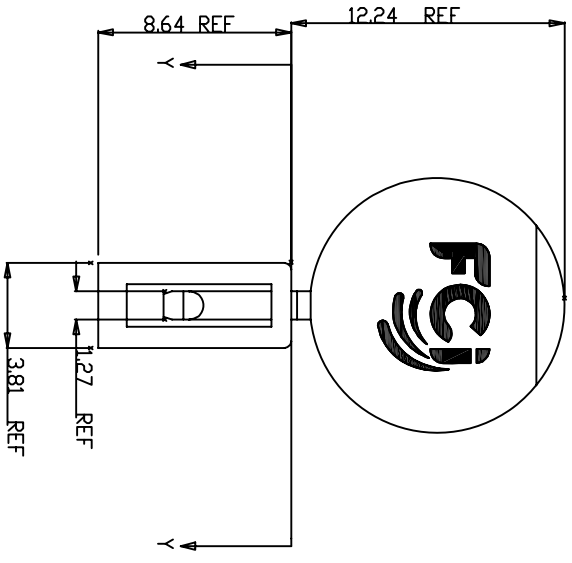
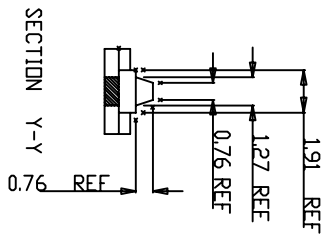


NOTES:  
 1.MAT'L SEE TABLE.  
 2.COLORS SEE TABLE.  
 3.PART NUMBERS WITH LF IN THE END ARE LEAD FREE.

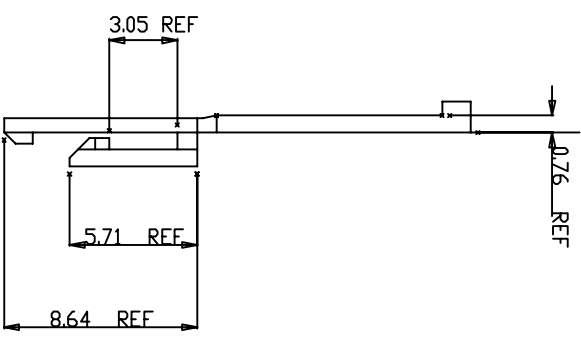
STYLE A

TOLERANCES UNLESS OTHERWISE SPECIFIED			
LINEAR	0.X	±0.3	
	0.XX	±0.10	
	0.XXX	±0.050	
ANGULAR	0°	±2°	

Mark with 66423B REV. in area indicated by X.....	rev	ecn no	dr	date	Material	Spec ref	tolerance	projection	Scale
D	V10391	JVB	3/2/91	4/06/06	Mat code -	sur face - ✓	QUICKIE	⊕	MM
E	N06-0088	LDNG	4/06/06		Heat treat -		66423	⊕	3.000
F	N06-0282	VG	11/8/06		Plating/Finish -		-	⊕	
G	EL-X-4-28255	TIM	2015-03-24		Dr	JM:BAIR	3/2/91	Product family	A4
					Eng	M.C:SMYK	3/2/91	Model Name	ECN
					Appr	M.C:SMYK	3/2/91	Model Revision	REL Level
					Pro/E file	FCI logo	HEADER POLARIZING KEY	on Gmp	Rev.
					catalog no			CUSTOMER	G
									sheet 1 of 2



STYLE B



PRODUCT NO	STYLE	COLOR	MATERIAL NO
66423-001/-001LF	A	BLUE	16-508-069 DR 16-508-131
66423-002/-002LF	B	BLUE	
66423-003/-003LF	A	BLACK	16-508-113
66423-004/004LF	B	BLACK	16-508-102
66423-005/005LF	A	BEIGE	16-508-114
66423-006/-006LF	B	BEIGE	16-508-115

Material	Spec ref	tolerance	projection	Scale
Mt code -	surface - ✓		MM	3.000
Heat treat -				
Plating/Finish -				
Dr J.M.BAIR 3/2/91	Product family		size A4	
Eng M.C.SMYK 3/2/91	Model Name		ECN	
Chr M.C.SMYK 3/2/91	Model Revision		REL Level	
Appr M.C.SMYK 3/2/91				
Proj file	catalog no		CUSTOMER	sheet 2 of 2
			66423	Rev. G