

SIZE	Part Num.	Threading	Headscrew	Packaging(see notes1&2)
25	8655MHRA2501LF	UNC 4.40	Black	BULK (see note 1)
	8655MHRA2501KLF	UNC 4.40	Black	KIT (see note 2)
	8655MHRA2502LF	M3	Grey	BULK
	8655MHRA2502KLF	M3	Grey	KIT

NOTES:

Material and finish: Zinc die-cast
Nickel plated

Cable strain relief: Polycarbonate (UL94V-0)

Jackscrews:

- Headscrew : plastic, colour according threading
- Body : metal, threading according tables

Temperature range: -40°C to 120°C
Cable diameter: 4.0 to 13.0mm
Attenuation factor: >40 dB between 30MHz and 1 GHz
Marking FCI logo: Height 6 mm for all versions

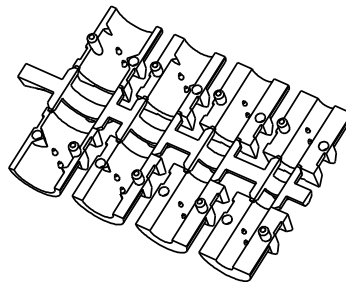
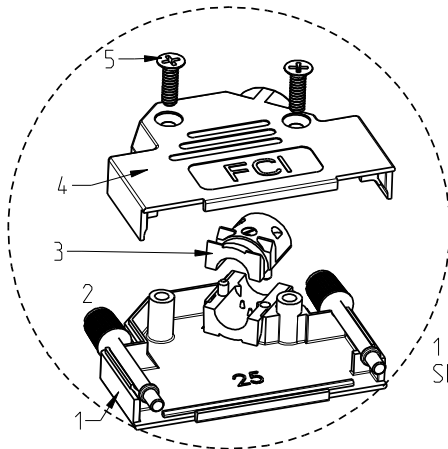
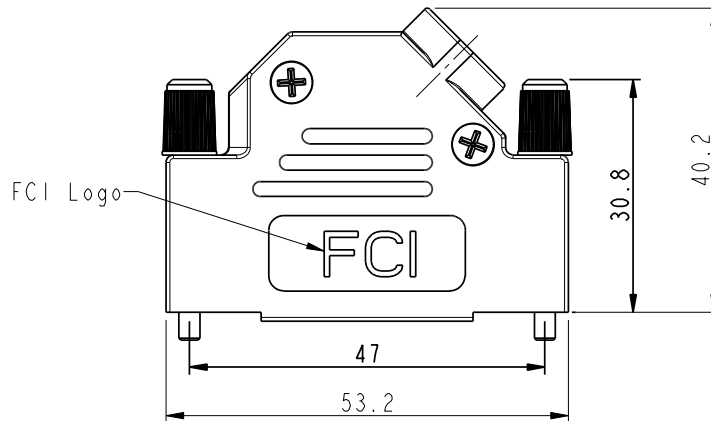
Covers screwing force (max): 100 Ncm
Jackscrew screwing force (max): 75 Ncm

Packaging notes (see tables):

- Bulk : Every spare part packaged per 100 or 200 into plastic bag. 5 plastic bags per carton box. 1 plastic bag per part.
- Kit : 1 set of spare parts necessary to realise 1 kit into a plastic bag. 100 plastic bags per carton box.

NOTE:RoHS INFORMATIONS

- The "LF" product meets European union Directives and other country regulations as described in GS-22-008.
- The product is not intended to be exposed to a manufacturing solder process.
- Packaging spec: see GS-14-920.

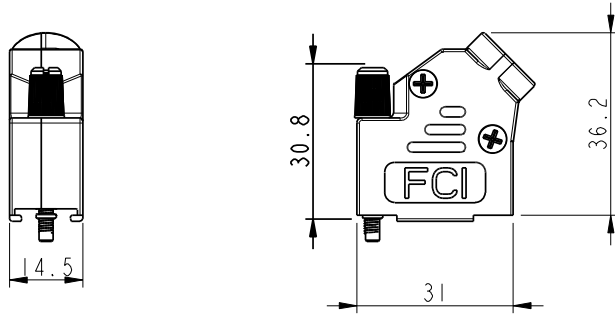


DESIGNATION	REP.	09	15	25	37	50
COVER BOTTOM	1			1		
JACKSCREW	2	1			2	
STRAIN RELIEF	3			2		
COVER TOP	4			1		
SCREW POZIDRIVE	5			2		

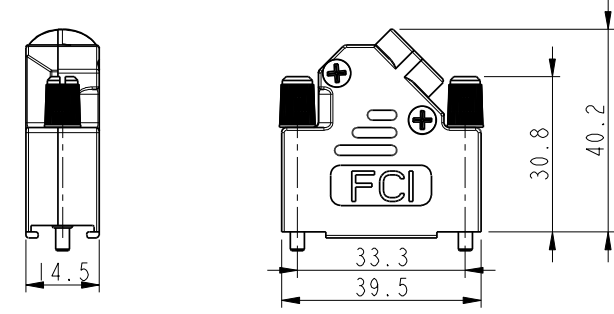
Rev	ecn no	dr	date
H	F11-0046	APA	2011/04/05
J	F11-0073	APA	2011/06/17
D	F09-0223	LSA	2009/11/24
E	F09-0236	LSA	2009/12/22
F	F10-0093	APA	2010/08/31
G	F10-0213	LSA	2010/19/15

www.fciconnect.com		surface ISO 1302	tolerance std ISO 406 ISO 1101	projection mm	mm
TOLERANCES UNLESS OTHERWISE SPECIFIED					
Dr	BART.S	2005/10/15	ANGULAR	LINEAR	size
Eng	LENOIR.M	2005/10/15	0° ±//°	0.x ±/	A3
Chr	LEGARE.P	2005/10/15	0° ±//°	0.xx ±/	Scale
Appr	LEGARE.P	2005/10/15	Product family	D-Sub	3:2
				ECN	F11-0073
				Spec ref	
Title				D-SUB METAL SHELLS	
ANGLED				10061512C	
catalog no				CUSTOMER	
				sheet 1 of 3	

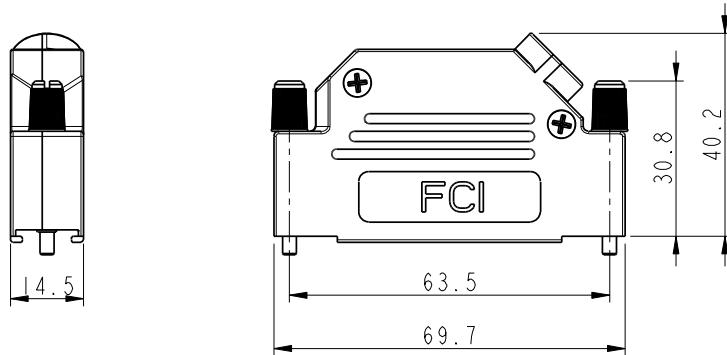
SIZE	Part Num.	Threading	Headscrew	Packaging
09	8655MHRA0901LF	UNC 4.40	Black	BULK (see note 1)
	8655MHRA0901KLF	UNC 4.40	Black	KIT (see note 2)
	8655MHRA0902LF	M3	Grey	BULK
	8655MHRA0902KLF	M3	Grey	KIT



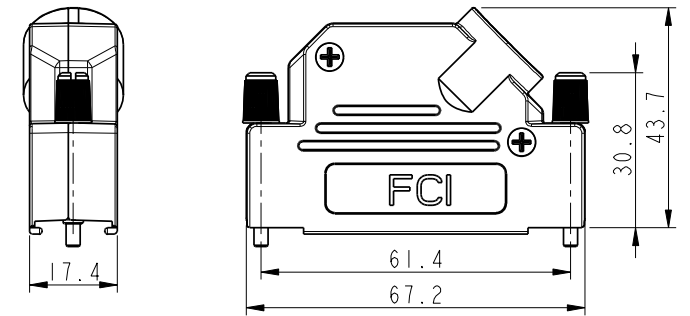
SIZE	Part Num.	Threading	Headscrew	Packaging
15	8655MHRA1501LF	UNC 4.40	Black	BULK (see note 1)
	8655MHRA1501KLF	UNC 4.40	Black	KIT (see note 2)
	8655MHRA1502LF	M3	Grey	BULK
	8655MHRA1502KLF	M3	Grey	KIT



SIZE	Part Num.	Threading	Headscrew	Packaging
37	8655MHRA3701LF	UNC 4.40	Black	BULK (see note 1)
	8655MHRA3701KLF	UNC 4.40	Black	KIT (see note 2)
	8655MHRA3702LF	M3	Grey	BULK
	8655MHRA3702KLF	M3	Grey	KIT



SIZE	Part Num.	Threading	Headscrew	Packaging
50	8655MHRA5001LF	UNC 4.40	Black	BULK (see note 1)
	8655MHRA5001KLF	UNC 4.40	Black	KIT (see note 2)
	8655MHRA5002LF	M3	Grey	BULK
	8655MHRA5002KLF	M3	Grey	KIT



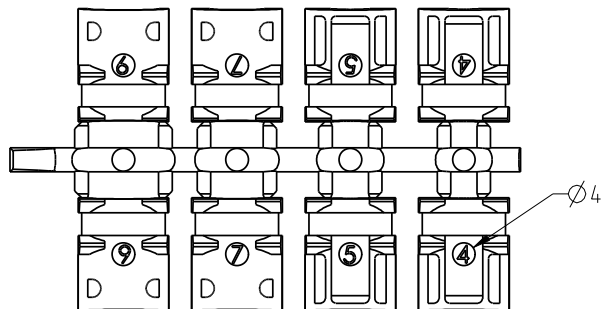
www.fciconnect.com			surface ISO 1302	<input checked="" type="checkbox"/>	tolerance std ISO 406	ISO 1101	projection 	mm
TOLERANCES UNLESS OTHERWISE SPECIFIED								
Dr	BART.S	2005/10/15	ANGULAR	LINEAR	0.x	±/	size A3	Scale 1:1
Eng	LENOIR.M	2005/10/15			0.xx	±/	ECN	F11-0073
Chr	LEGARE.P	2005/10/15	0° ±/°		0.xxx	±/	Spec ref	
Appr	LEGARE.P	2005/10/15	Product family			D-Sub		
			Title D-SUB METAL SHELLS			dwg no 10061512C		Rev. J
			ANGLED			CUSTOMER		sheet 2 of 3
			catalog no					

REV E - 2006-03-28

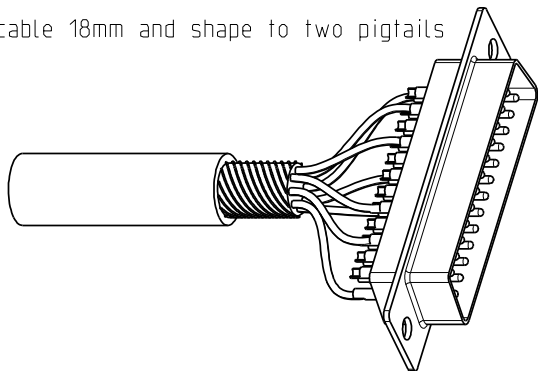
Copyright FCI.

CABLING INSTRUCTIONS

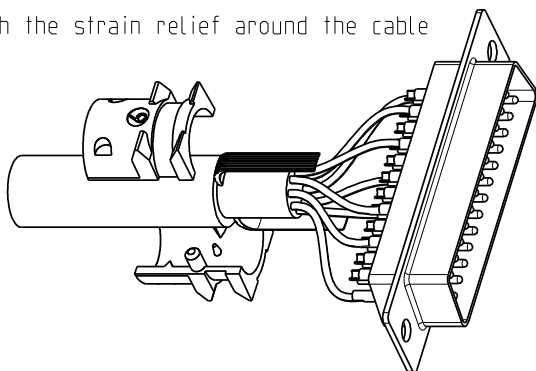
1- Use two halves of strain relief, different sizes can be mixed (Ø4, 5, 7 or 9)



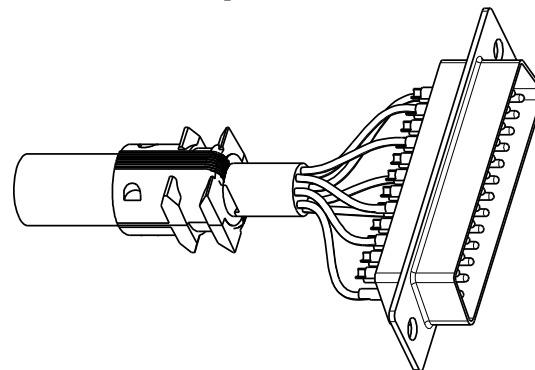
2- Strip cable 18mm and shape to two pigtails



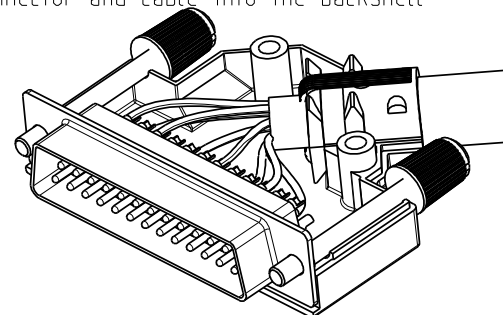
3- Attach the strain relief around the cable



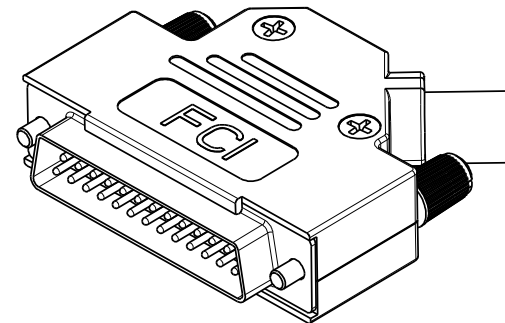
4- Bend cable shielding back on outside of strain relief



5- Mount connector and cable into the backshell



6- Assemble the other half screwing force: 100 Ncm



Copyright FCI.

www.fciconnect.com			surface ISO 1302	✓	tolerance std ISO 406 ISO 1101	projection mm	mm
TOLERANCES UNLESS OTHERWISE SPECIFIED							
Dr	BART.S	2005/10/15	ANGULAR	LINEAR	0.x	±/	size A3
Eng	LENOIR.M	2005/10/15			0.xx	±/	Scale 3:2
Chr	LEGARE.P	2005/10/15	0° ±/°		0.xxx	±/	ECN F11-0073
Appr	LEGARE.P	2005/10/15	Product family			D-Sub	Spec ref
FCI			Title			D-SUB METAL SHELLS	
ANGLED			dwg no			10061512C	
catalog no			CUSTOMER			sheet 3 of 3	
			Rev.			J	

Mouser Electronics

Authorized Distributor

Click to View Pricing, Inventory, Delivery & Lifecycle Information:

[FCI / Amphenol:](#)

[8655MHRA5001LF](#) [8655MHRA0901LF](#) [8655MHRA1501LF](#) [8655MHRA3701LF](#) [8655MHRA1501KLF](#)
[8655MHRA3701KLF](#) [8655MHRA1502KLF](#) [8655MHRA0902LF](#) [8655MHRA3702KLF](#) [8655MHRA2502KLF](#)
[8655MHRA5002KLF](#) [8655MHRA5001KLF](#) [8655MHRA0901KLF](#) [8655MHRA1502LF](#) [8655MHRA3702LF](#)
[8655MHRA0902KLF](#) [8655MHRA5002LF](#) [8655MHRA2502LF](#)