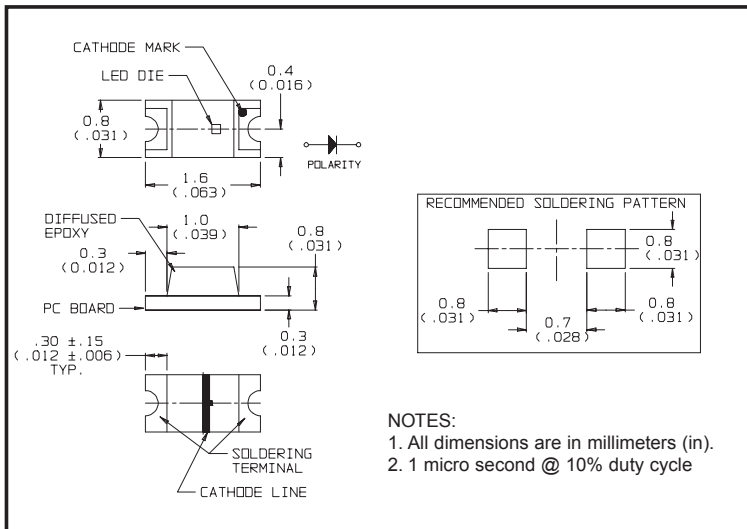


CMDA6 Series HIGH BRIGHTNESS 0603 Package Size Surface Mount LED Description and Features



Features

- High brightness
- Small size
- Industrial standard 0603 Footprint
- Diffused optics
- Top emitting
- Compatible with IR solder profiles
- Ideal for use with Light Pipes
- Available in 8 mm tape on 7" diameter reel
- Packaged 4,000 pieces per reel
- RoHS Compliant

Applications

- LCD backlighting
- Push button backlighting
- Front panel indicator
- Symbol indicator
- Microdisplays
- Small message panel signage

Electro-Optical Characteristics and Ratings

Part Number	Output Color	Diffusion	Package Color	Test Current (mA)	Forward Voltage Typ. (V)	Forward Voltage Max. Typ. (V)	Luminous Intensity Min. (mcd)	Luminous Intensity Typ. (mcd)	Peak Wavelength (nm)	Viewing Angle (Degrees)
CMDA6AR7D1S	Red	Diffused	Clear	20	1.9	2.4	25	90	637	170

Absolute Maximum Ratings to = 25°C

Part Number	Power Dissipation (mW)	Operating Temperature (°C)	Storage Temperature (°C)	Peak Forward Current Max. (See note 2) (mA)	Reverse Voltage (IR = 100 mA) (V)	Lead Solder Time at 230°C (Seconds)
AR	75	-30 to +85	-40 to +85	100	5	10

Mouser Electronics

Authorized Distributor

Click to View Pricing, Inventory, Delivery & Lifecycle Information:

VCC:

[CMDA6AR7D1S](#) [CMDA6CB7D1S-100](#) [CMDA6AG7D1S-100](#)