

# Customer Information Sheet

DRAWING No.: M50-300XX45

SHEET 3 OF 3

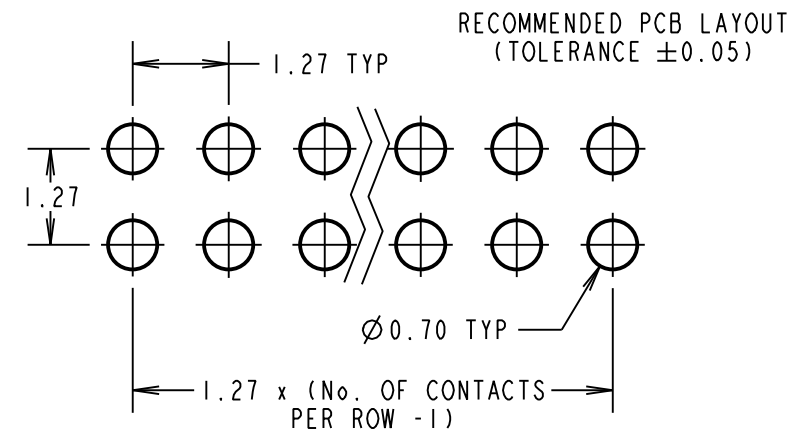
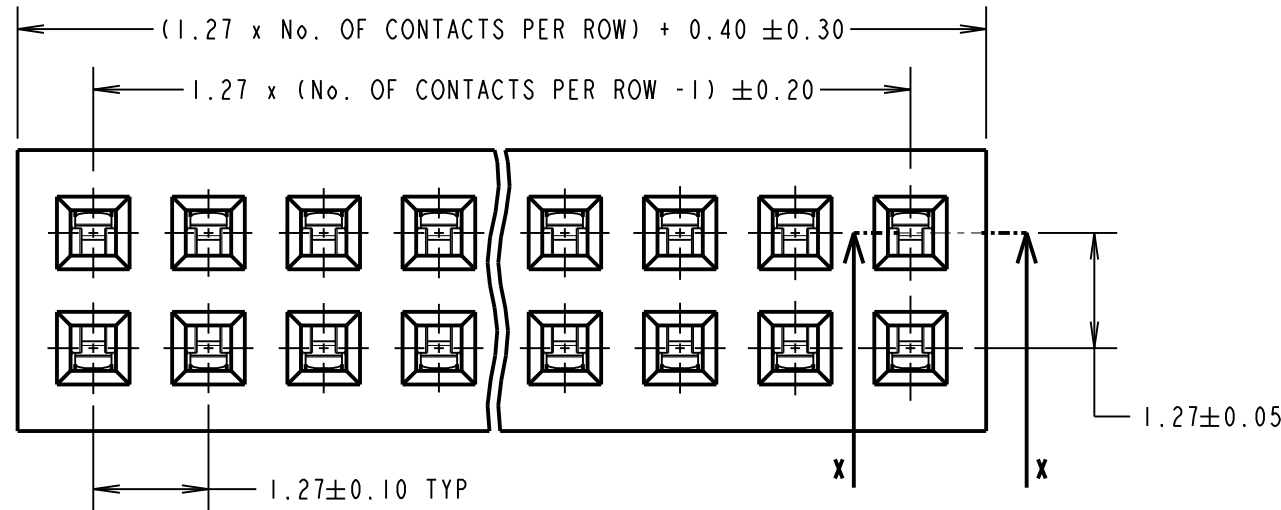
IF IN DOUBT - ASK

©

NOT TO SCALE

THIRD ANGLE PROJECTION

ALL DIMENSIONS IN mm



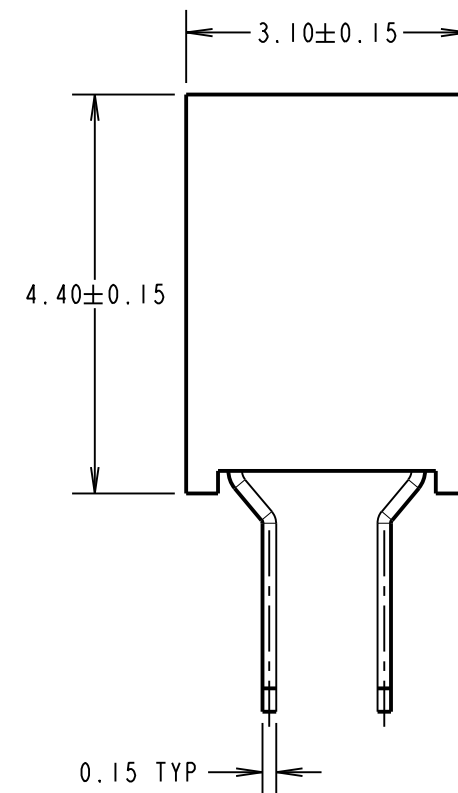
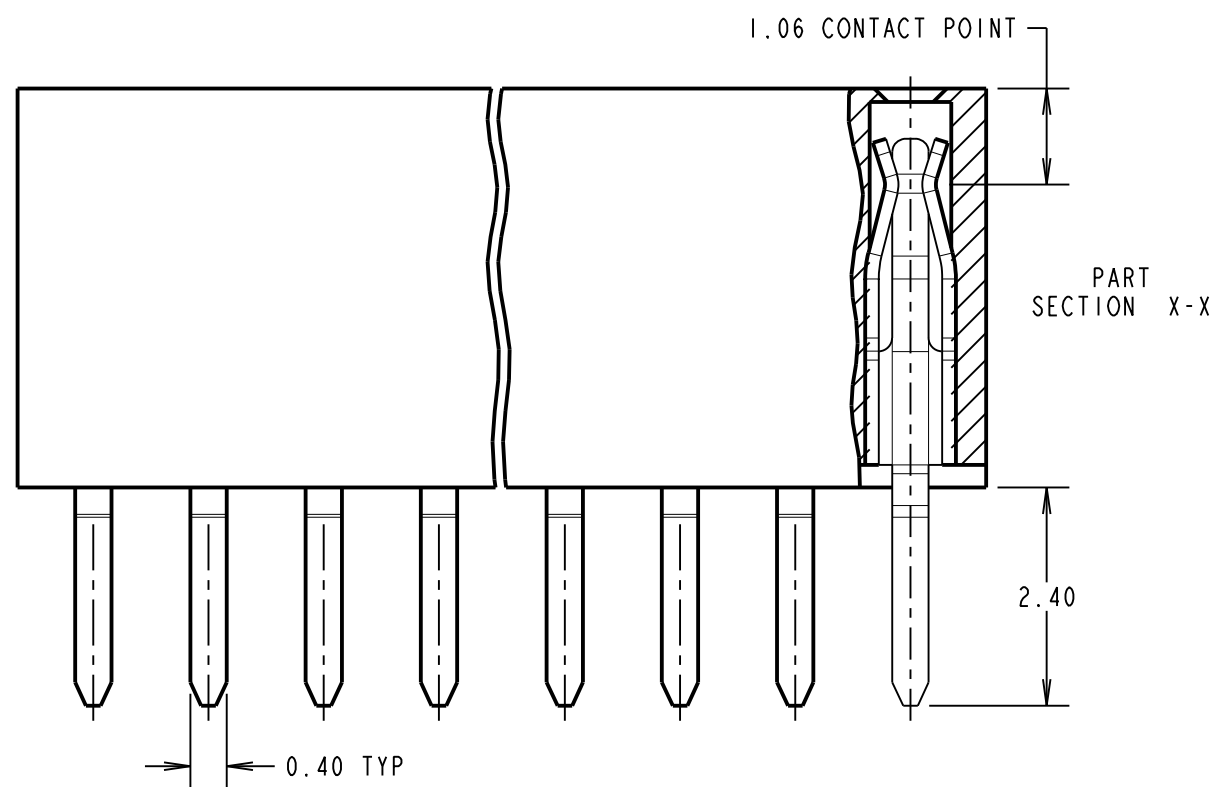
**SPECIFICATIONS:**

**MATERIAL:**  
 MOULDING = NYLON 6T, UL94V-0, BLACK  
 CONTACT = PHOSPHOR BRONZE  
**FINISH:**  
 45 = GOLD OVER NICKEL  
**ELECTRICAL:**  
 CURRENT RATING = 1A  
 VOLTAGE PROOF = 1000V ACrms/DC  
 CONTACT RESISTANCE =  $20\text{m}\Omega$  MAX  
 INSULATION RESISTANCE =  $1,000 \text{M}\Omega$  MIN  
**MECHANICAL:**  
 DURABILITY = 300 CYCLES MIN  
 CONTACT INSERTION FORCE = 1.50N MAX  
 CONTACT WITHDRAWAL FORCE = 0.10N MIN  
**ENVIRONMENTAL:**  
 OPERATING TEMPERATURE =  $-40^\circ\text{C}$  TO  $+105^\circ\text{C}$   
**PACKING:**  
 TUBE  
 FOR COMPLETE SPECIFICATION, SEE COMPONENT SPECIFICATION C029XX (LATEST ISSUE)

OBSOLETE

No. of contacts per row = 16 to 19, 21 to 24, 26 to 49

Last Time Buy = 15th June 2018



ORDER CODE: **M50-300XX45**

No. OF CONTACTS PER ROW: **03 to 15, 20, 25, 50**

FINISH: **45 = GOLD FLASH OVER NICKEL**

NOTES:  
 1. ALL TOLERANCES ARE  $\pm 0.25$  UNLESS OTHERWISE STATED

SB	12	15.01.13	11828
NAME	ISS.	DATE	C/NOTE
APPROVED:		S.BENNETT	
CHECKED:		S.FLOWER	
DRAWN:		W.J.BOURNE	
CUSTOMER REF.:			
ASSEMBLY DRG:			

HARWIN

www.harwin.com  
technical@harwin.com

THIS DRAWING AND ANY INFORMATION OR DESCRIPTIVE MATTER SET OUT HEREON ARE CONFIDENTIAL AND COPYRIGHT PROPERTY OF THE HARWIN GROUP AND MUST NOT BE DISCLOSED, LOANED, COPIED OR USED FOR MANUFACTURING, TENDERING OR FOR ANY OTHER PURPOSE WITHOUT THEIR WRITTEN PERMISSION.

**TOLERANCES**

X	= $\pm 1\text{mm}$
X.X	= $\pm 0.25\text{mm}$
X.XX	= $\pm 0.10\text{mm}$
X.XXX	= $\pm 0.01\text{mm}$

ANGLES =  $\pm 5^\circ$   
UNLESS STATED

MATERIAL:	SEE ABOVE
FINISH:	SEE ABOVE
S/AREA:	mm <sup>2</sup>

TITLE:	1.27mm PITCH DIL VERTICAL SOCKET ASSY
DRAWING NUMBER:	<b>M50-300XX45</b>
SHT	3 OF 3

# Mouser Electronics

Authorized Distributor

Click to View Pricing, Inventory, Delivery & Lifecycle Information:

[Harwin:](#)

[M50-3000545](#) [M50-3000645](#) [M50-3000745](#) [M50-3000845](#) [M50-3000945](#) [M50-3001045](#) [M50-3001145](#) [M50-3001245](#) [M50-3001545](#) [M50-3002045](#) [M50-3002545](#) [M50-3003045](#) [M50-3003545](#) [M50-3004045](#) [M50-3004545](#)  
[M50-3005045](#) [M50-3000345](#)