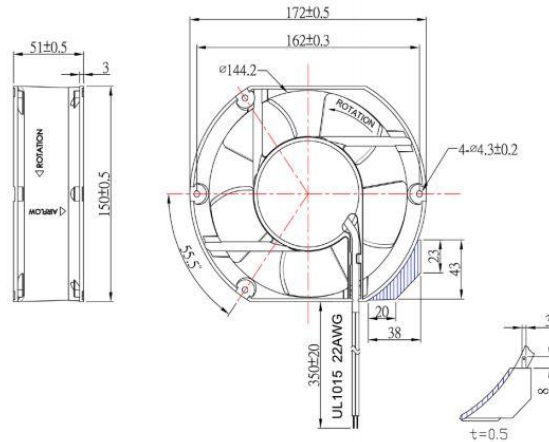


OA172EC IP68-ATEX Series



EC Fan, 115V / 230V
172x150x51mm (6.7"x 2.0")



Frame	Aluminum (ADC-12)
Impeller	PBT, UL94 V-0 Plastic
Connection	2x Lead wires, or Terminals
Motor	EC Motor, Electronically Protected, IP68
Bearing System	Dual Ball Bearings
Dielectric Strength	1 Sec at 1800 VAC, 50/60Hz
Insulation Resistance	10M ohm between leadwires and frame (500 VDC)

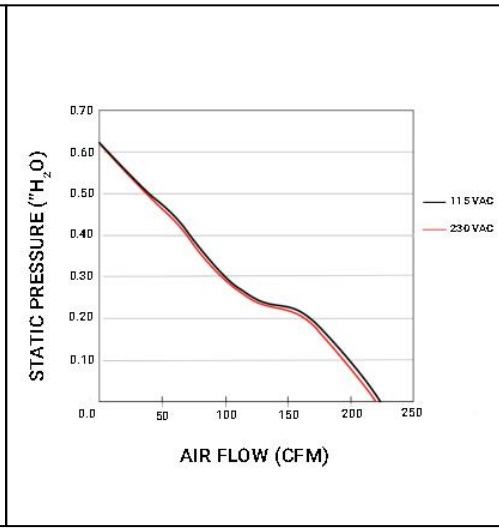
Operating Temperature
-20°C ~ +70°C

Life Expectancy
50,000 hours (L10 at 45°C)

IP68 Rating
ATEX Certification

Weight: 1.54 lbs

m2



Part Number	Rated Voltage	Nominal Power	Rated Current	Rated Speed (RPM)	Airflow (CFM)	Noise Level (dB)	Max. Static Pressure
OA172EC-11-1*BIP68A	115 VAC	15 W	0.23 A	3000	220	57	0.62"H ₂ O
OA172EC-22-1*BIP68A	230 VAC	15 W	0.13 A	3000	220	57	0.62"H ₂ O

* Indicates "T" (Terminals) or "W" (Wire Leads)

Mouser Electronics

Authorized Distributor

Click to View Pricing, Inventory, Delivery & Lifecycle Information:

Orion Fans:

[OA172EC-22-1WBIP68A](#) [OA172EC-11-1TBIP68A](#) [OA172EC-11-1WBIP68A](#) [OA172EC-22-1TBIP68A](#)