



Series 154 Yellow Streak Jumpers on 0.100 [2.54] Centers

FEATURES

- Maintain 0.100 [2.54] Conductor Spacing with Pitch Bars

GENERAL SPECIFICATIONS

- PITCH BAR: Black UL 94V-0 glass-filled 4/6 Nylon
- CABLE INSULATION: UL Style 1061 Polyvinyl Chloride (PVC), semi-rigid
- LAMINATE: Clear PVC, Self-extinguishing
- CONDUCTORS: 24-AWG, tinned, solid Cu
- CABLE CURRENT RATING: 1 amp at 10°C [50°F] above ambient
- CABLE VOLTAGE RATING: 300V
- CABLE TEMPERATURE RATING: 176°F [80°C]

MOUNTING CONSIDERATIONS

- SUGGESTED PCB HOLE SIZE: 0.033 ± 0.002 [0.86 ± 0.05] dia.



ORDERING INFORMATION

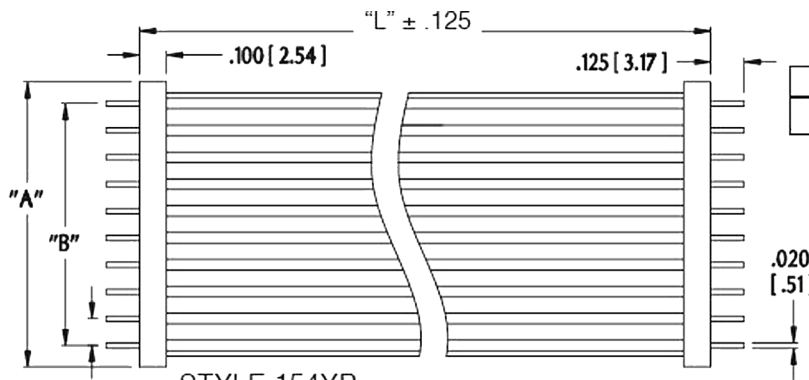
XX-XXXX-XXXX

Series
154YS = Without Pitch Bars
154YP = With Pitch Bars

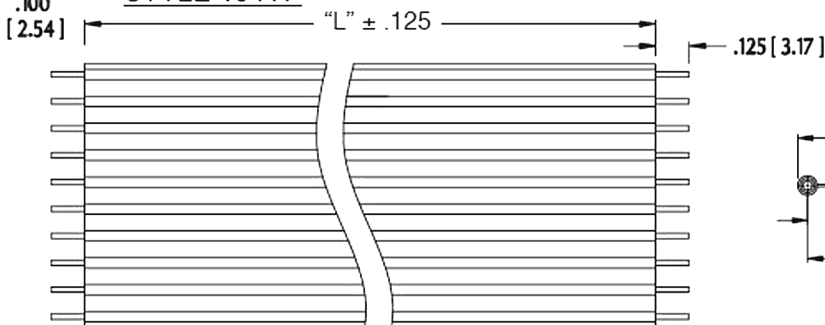
Length "L" (inches)
2.00" = 002 (min)
2.50" = 002.5
3.00" = 003
Etc.

No. of Conductors
(4 thru 22)

No. of Conductors	Minimum Insulation Length
4 thru 22	2.0" [50.8]

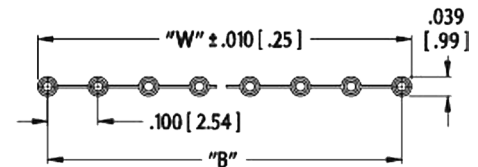


STYLE 154YP



STYLE 154YS

CABLE DETAIL



ALL DIMENSIONS: INCHES [MILLIMETERS]
ALL TOLERANCES: ±0.005 [0.13] UNLESS OTHERWISE SPECIFIED
NOT TO BE USED FOR HIGH-FLEX APPLICATIONS
FOR HIGH-FLEX APPLICATIONS, SEE DATA SHEETS 11005 & 11014
CONSULT FACTORY FOR OTHER SIZES AND CONFIGURATIONS

CUSTOMIZATION: ARIES SPECIALIZES IN CUSTOM DESIGN AND PRODUCTION.
SPECIAL MATERIALS, PLATINGS, SIZES, AND CONFIGURATIONS CAN BE
FURNISHED, DEPENDING ON QUANTITY.

ARIES RESERVES THE RIGHT TO CHANGE PRODUCT GENERAL SPECIFICATIONS
WITHOUT NOTICE

PRINTOUTS OF THIS DOCUMENT MAY BE OUT-OF-DATE AND SHOULD BE
CONSIDERED UNCONTROLLED



ARIES
ELECTRONICS, INC.

2609 Bartram Road • Bristol, PA 19007-6810 USA
TEL 215-781-9956 • FAX 215-781-9845
WWW.ARIESELEC.COM • INFO@ARIESELEC.COM



11015
Rev. 5.5
1 of 1

Mouser Electronics

Authorized Distributor

Click to View Pricing, Inventory, Delivery & Lifecycle Information:

Aries Electronics:

[10-002-154YP](#) [16-003-154YS](#) [16-002-154YS](#) [10-001.25-154YP](#) [09-001.25-154YP](#) [04-001-154YS](#) [05-001-154YS](#)
[07-001-154YS](#)