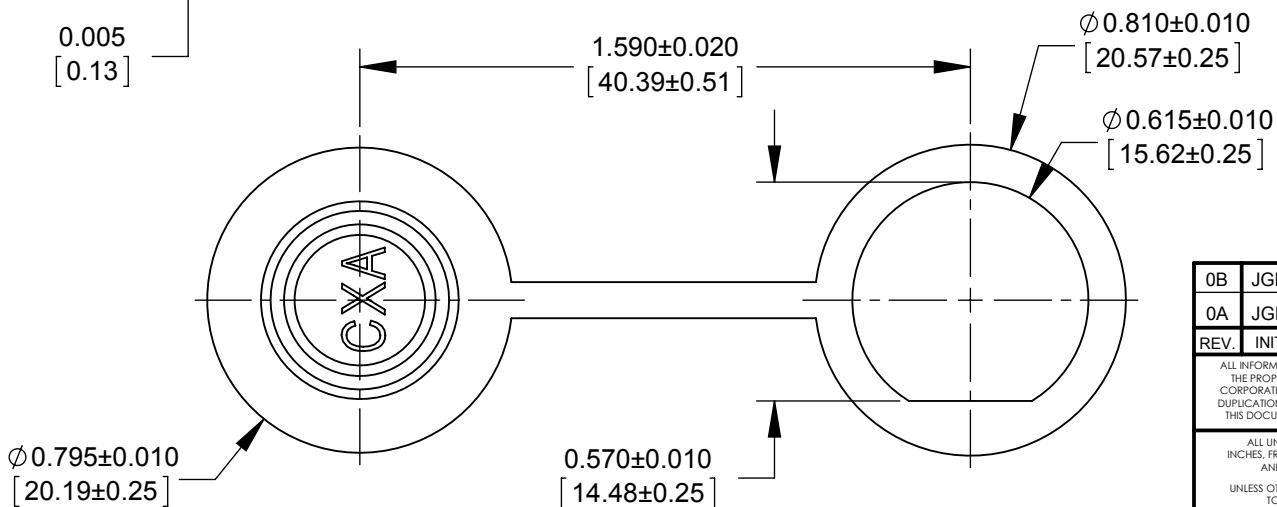
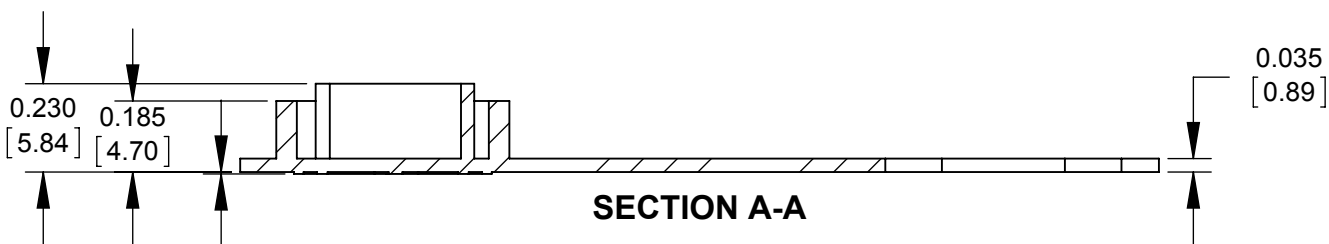
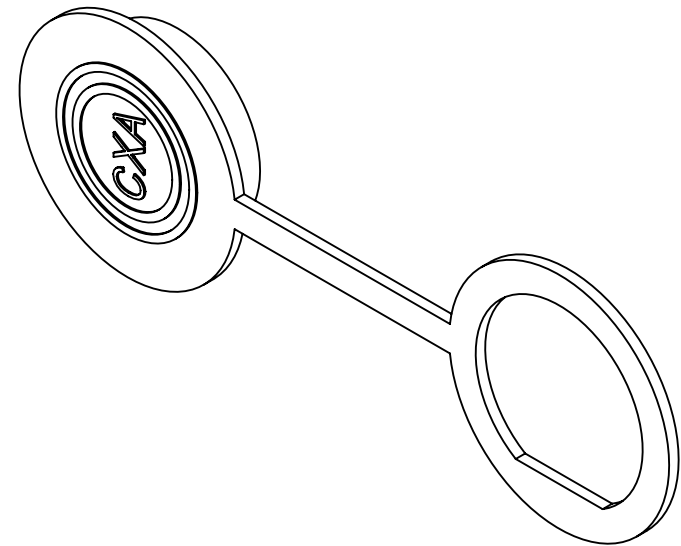
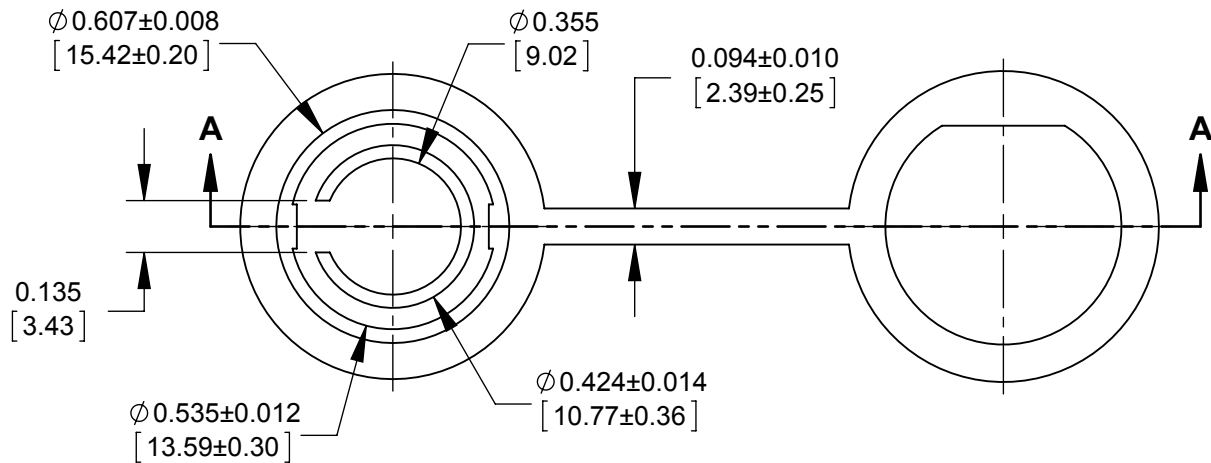



PART NUMBER: D6295	MFG. ENG.	APPROVED BY:	DATE:	QA	APPROVED BY:	DATE:

NOTES:  
1. MATERIAL: RUBBER, BLACK.



**CUSTOMER DRAWING**

0B	JGK	02/05/15	UPDATED CUSTOMER DRAWING.		
0A	JGK	7/08/14	DRAWING CREATED FOR DATA-CON-X PRODUCT LINE.		
REV.	INIT.	DATE	DESCRIPTION		
ALL INFORMATION ILLUSTRATED IS THE PROPERTY OF CONXALL CORPORATION. UNAUTHORIZED DUPLICATION OR DISTRIBUTION OF THIS DOCUMENT IS PROHIBITED.			ORIG. DRAWN BY:	DATE:	 601 E. WILDWOOD VILLA PARK, IL 60181
			JGK	7/08/14	
			CHECKED BY:		TITLE: DUST COVER DATA-CON-X MINI SIZE CUSTOMER: STANDARD PRODUCT
			APPROVED BY:		
			SCALE	SIZE	SHEET
			2:1	A	1 OF 1
			FILE:	DIRECTORY:	PART NUMBER:
			D6295_CD	SLW	D6295
					REV
					0B

DIMENSIONS IN BRACKET [ ] ARE METRIC.

**RoHS COMPLIANT**

# Mouser Electronics

Authorized Distributor

Click to View Pricing, Inventory, Delivery & Lifecycle Information:

[Switchcraft:](#)

[D6295](#)