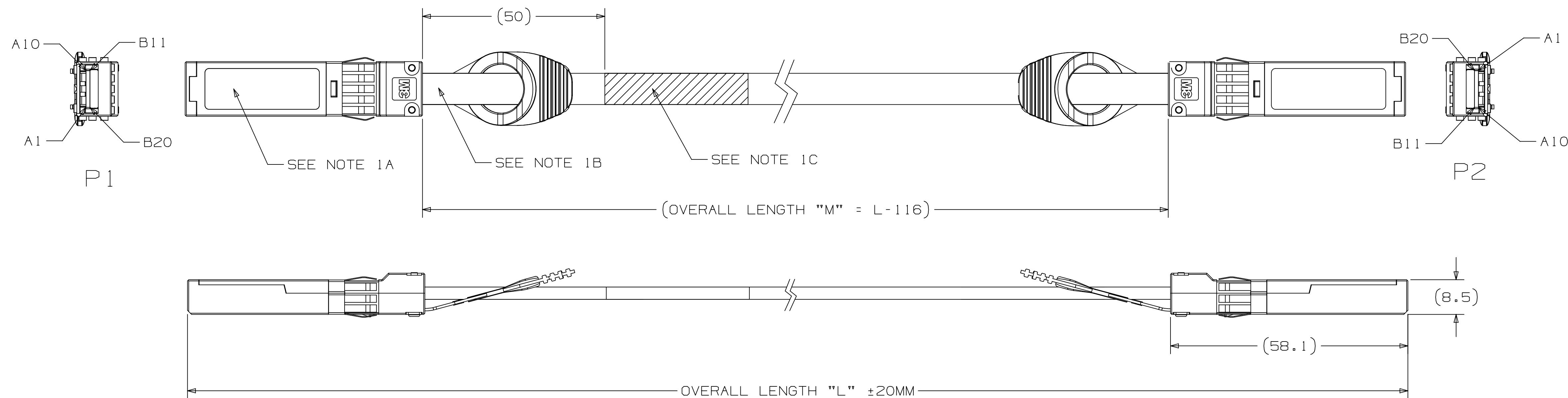


3M™ 25G SFP28 DIRECT ATTACH COPPER CABLE ASSEMBLIES, 1422/1423 SERIES



ORDERING INFORMATION

14XX-P XX-07-X.XX

22-UNIVERSAL PULL TAB (BOTTOM)
23-UNIVERSAL PULL TAB (TOP)

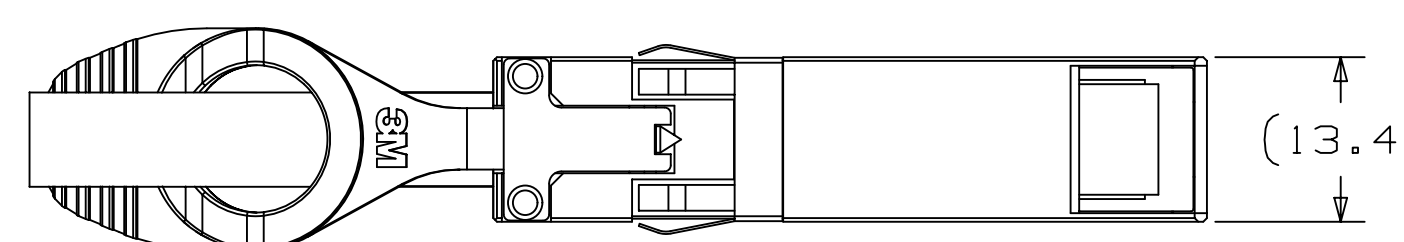
PASSIVE UNEQUALIZED

LENGTH OPTIONS "L" (in meters)
REFER TO PART NUMBER TABLE FOR DETAIL

| CODE | CABLE CONFIGURATION |
|------|---|
| 24 | 30AWG UTJ PVC JACKET COLOR BLACK WITH SHIELD (UP TO 2 METERS) |
| 34 | 26AWG UTJ PVC JACKET COLOR BLACK WITH SHIELD (2 METERS TO 4 METERS) |
| 35 | 30AWG CL2 JACKET COLOR BLACK WITH SHIELD (UP TO 2 METERS) |
| 40 | 26AWG CL2 JACKET COLOR BLACK WITH SHIELD (2 METERS TO 4.5 METERS) |

NOTES:

- COMPONENTS:
 - A - SFP+ SHELL KIT, 2 PCS
 - B - HEAT SHRINKABLE TUBE BLACK (OPTIONAL), 2 PCS
 - C - LILONG LABEL=CLEAR/WHITE BACKGROUND WITH BLACK TEXT, TEXT H=2.00MM, ARIAL, L*W=40*30MM, "YYWW" IS DATE CODE, e.g YEAR=2007, WEEK=26, YYWW=0726
- JACKET FOR CABLE CONFIG 24 AND 34: PVC, COLOR: BLACK
JACKET FOR CABLE CONFIG 35 AND 40: HALOGEN-FREE* CL2, COLOR: BLACK
METAL SHELL: NICKEL PLATED ZINC ALLOY
PULL TAB: HALOGEN-FREE* THERMOPLASTIC, COLOR: BLACK
PCB: HALOGENATED FLAME RETARDANT
- THIS CABLE ASSEMBLY IS RoHS COMPLIANT.
- BULK CABLE IMPEDANCE: 100±5 OHMS (DIFFERENTIAL)
- DESIGN TO SFP STANDARD SFF-8431.
- UNLESS OTHERWISE NOTED, REFERENCES TO INDUSTRY SPECIFICATIONS ARE INTENDED TO INDICATE SUBSTANTIAL COMPLIANCE TO THE MATERIAL ELEMENTS OF THE SPECIFICATION. SUCH REFERENCES SHOULD NOT BE CONSTRUED AS A GUARANTEE OF COMPLIANCE TO ALL REQUIREMENTS IN A GIVEN SPECIFICATION.
- CABLE RETURN LOSS PERFORMANCE IS VALID FOR CABLE ASSEMBLIES OF A MINIMUM OF 1.00 METER IN LENGTH. CABLE ASSEMBLIES LESS THAN 1.00 METER IN LENGTH MAY NOT ACHIEVE THE RETURN LOSS PERFORMANCE IN IEEE802.3bJ. CABLE RETURN LOSS PERFORMANCE IS SUBJECT TO CHANGE WITH DIFFERENT CABLE ASSEMBLY LENGTHS. END USER WILL NEED TO DETERMINE WHETHER THIS PRODUCT IS SUITABLE FOR THEIR INTENDED APPLICATION.
- PRODUCT SPECIFICATION REFER TO 3M DOCUMENT: 78-5102-0262-1.
- * HALOGEN-FREE IS DEFINED AS BOTH (1) NO HALOGEN COMPOUNDS ARE INTENTIONALLY ADDED TO THE PRODUCT OR USED IN THE MANUFACTURING PROCESS FOR THE PRODUCT, AND (2) ANY IMPURITIES PRESENT ARE LESS THAN 900 PPM BROMINE, LESS THAN 900 PPM CHLORINE, AND/OR LESS THAN 1500 PPM TOTAL BROMINE AND CHLORINE.



| P1/P2 | |
|---------|------------|
| PIN NO. | SYMBOL |
| 1 | VeeT |
| 2 | Tx_Fault |
| 3 | Tx_Disable |
| 4 | SDA |
| 5 | SCL |
| 6 | Mod_ABS |
| 7 | RS0 |
| 8 | Rx_LOS |
| 9 | RS1 |
| 10 | VeeR |

ASSEMBLY PINOUT

| P1 | | P2 | |
|-----|-----|-----|-----|
| B11 | GND | B20 | GND |
| B12 | Rx- | B19 | Tx- |
| B13 | Rx+ | B18 | Tx+ |
| B14 | GND | B17 | GND |
| B15 | - | B16 | - |
| B16 | - | B15 | - |
| B17 | GND | B14 | GND |
| B18 | Tx+ | B13 | Rx+ |
| B19 | Tx- | B12 | Rx- |
| B20 | GND | B11 | GND |

3M ELECTRONICS MATERIALS SOLUTIONS DIVISION
INTERCONNECT SOLUTIONS
<http://www.3M.com/interconnect>

3M IS A TRADEMARK OF 3M COMPANY.
FOR TECHNICAL, SALES OR ORDERING
INFORMATION CALL 800-225-5373

| DESIGN REFERENCE | NEXT ASSEMBLY | REV | ECO | ISSUE DATE AND DESCRIPTION | DRFT | CHKD |
|------------------|---------------|-----|-------|--------------------------------------|------|------|
| | | E | 86392 | SEP 24, 2019 | JNC | DLD |
| | | D | 84769 | JUL 17, 2019 | JNC | DD |
| | | C | 78965 | MAY 03, 2019 | YL | YL |
| | | | | REVISE DRAWING | | |
| | | | | REVISE NOTES AND REDRAW IN NX FORMAT | | |
| | | | | REVISE NOTES | | |

| DESIGNER | DATE | DRWG | DATE | CHKD | DATE |
|----------|--------------|---------------|--------------|------|------|
| YUNLONG | JUL 12, 2017 | EDDIE | JUL 12, 2017 | | |
| YUNLONG | JUL 12, 2017 | SAJJIT BANDHU | JUL 12, 2017 | | |

| | | | |
|---------------------------------|-------------|----------------------------|--|
| DO NOT SCALE DRAWING | SCALE | TOLERANCES EXCEPT AS NOTED | |
| THIRD ANGLE PROJECTION | INCHES | MILLIMETERS | |
| INTERPRET PER ASME Y14.5 - 2009 | .00 ± .01 | 0 ± .1 | |
| MAX SURFACE ROUGHNESS | .000 ± .015 | .00 ± .15 | |
| MARKED SURFACES | .000 ± .05 | .00 ± .05 | |
| MARKED ONLY | ANGLES ± 1° | | |

| | | | |
|--|--|---|--|
| | | © 3M COPYRIGHT 2019 This document and the information it contains are 3M property and may not be reproduced or further distributed without 3M permission, or used or disclosed other than for 3M authorized purposes. All rights reserved. | |
| TITLE 3M 25G SFP28 DIRECT ATTACH CABLE ASS'Y 1422/1423 SERIES | | CAGE NUMBER D 78-5100-2664-0 | |
| MODEL SFP28 | | REV. E | |

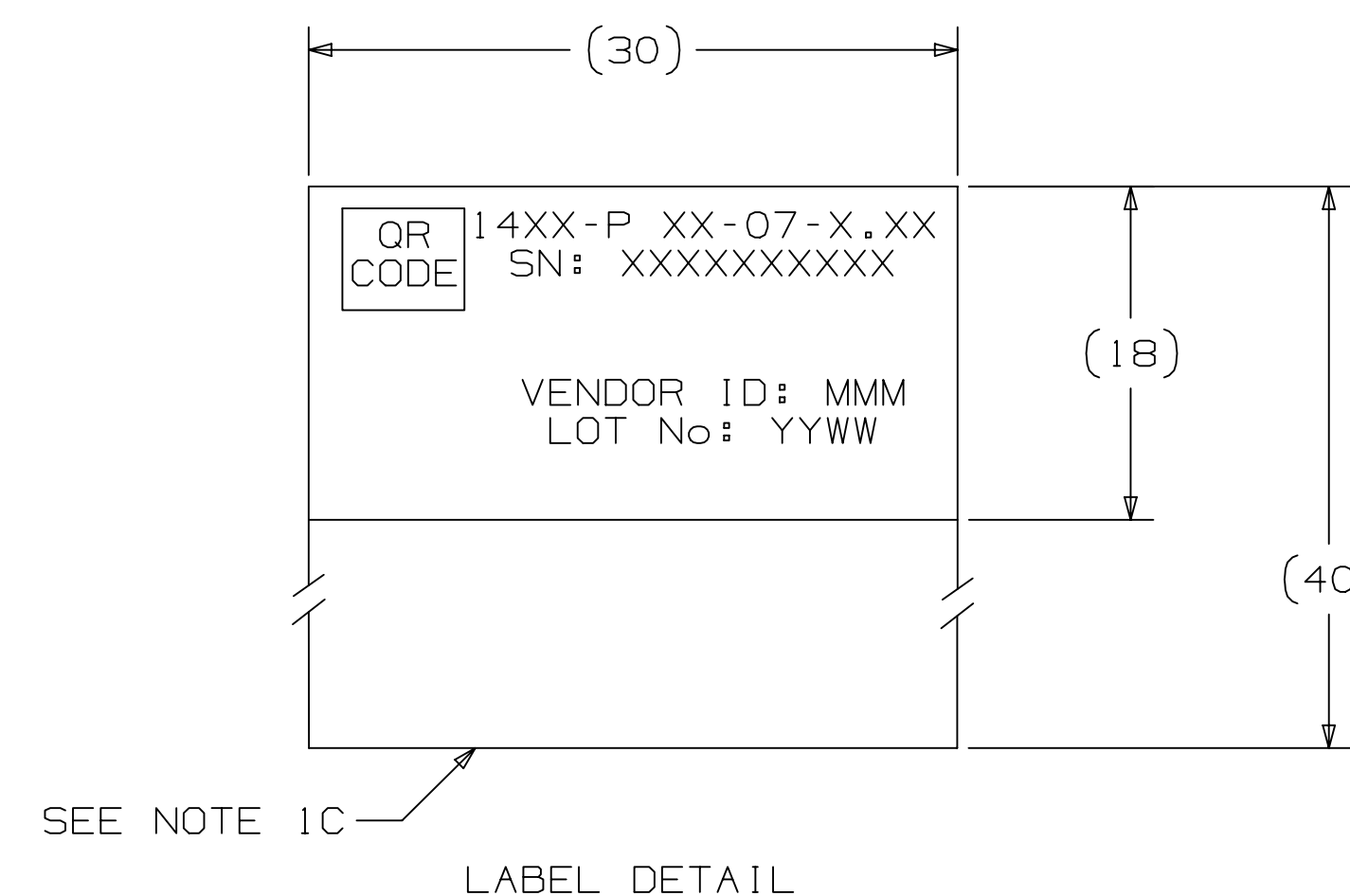
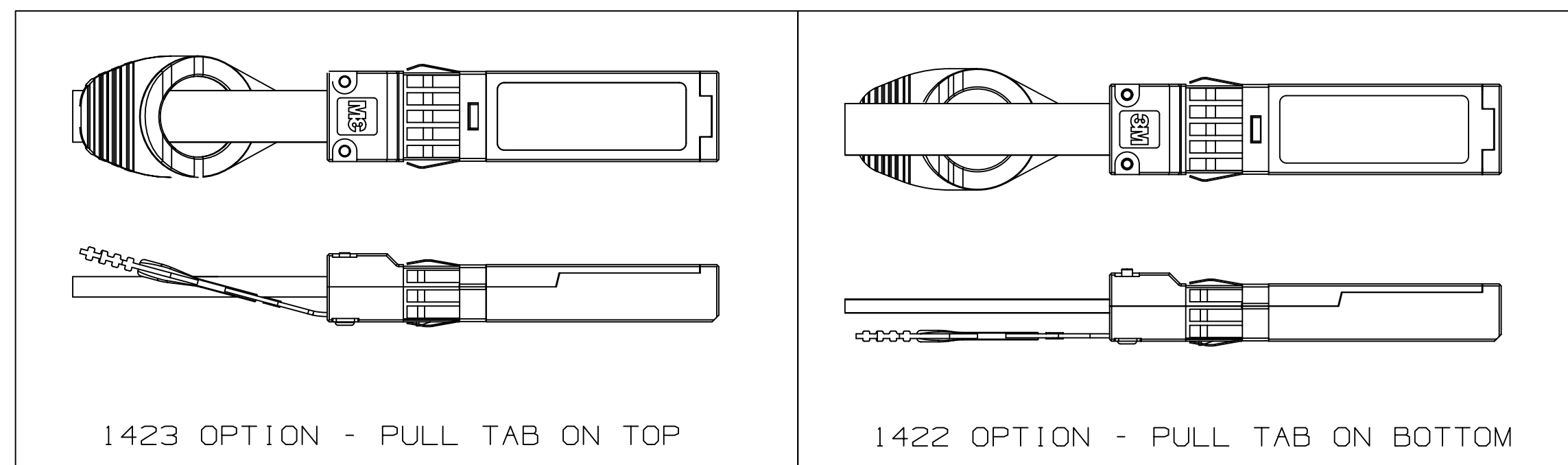
78-5100-2664-0 DRAWING NUMBER

A

3M™ 25G SFP28 DIRECT ATTACH COPPER CABLE ASSEMBLIES, 1422/1423 SERIES

EXAMPLE - PART NUMBER ORDER DETAIL

| 3M PART NUMBER | CABLE OPTIONS | AWG | TOTAL LENGTH "L" | PULL TAB OPTIONS |
|------------------|---------------------------------|-----|------------------|------------------|
| 1422-P24-07-0.50 | UTJ PVC, BLACK WITH COPPER FOIL | 30 | 0.5 | BOTTOM |
| 1422-P24-07-1.00 | UTJ PVC, BLACK WITH COPPER FOIL | 30 | 1.0 | BOTTOM |
| 1422-P24-07-2.00 | UTJ PVC, BLACK WITH COPPER FOIL | 30 | 2.0 | BOTTOM |
| 1422-P34-07-2.00 | UTJ PVC, BLACK WITH COPPER FOIL | 26 | 2.0 | BOTTOM |
| 1422-P34-07-3.00 | UTJ PVC, BLACK WITH COPPER FOIL | 26 | 3.0 | BOTTOM |
| 1422-P34-07-4.00 | UTJ PVC, BLACK WITH COPPER FOIL | 26 | 4.0 | BOTTOM |
| 1422-P35-07-1.00 | CL2, BLACK WITH COPPER FOIL | 30 | 1.0 | BOTTOM |
| 1422-P40-07-3.00 | CL2, BLACK WITH COPPER FOIL | 26 | 3.0 | BOTTOM |



Regulatory: For regulatory information about this product, visit 3M.com/regs or contact your 3M representative.

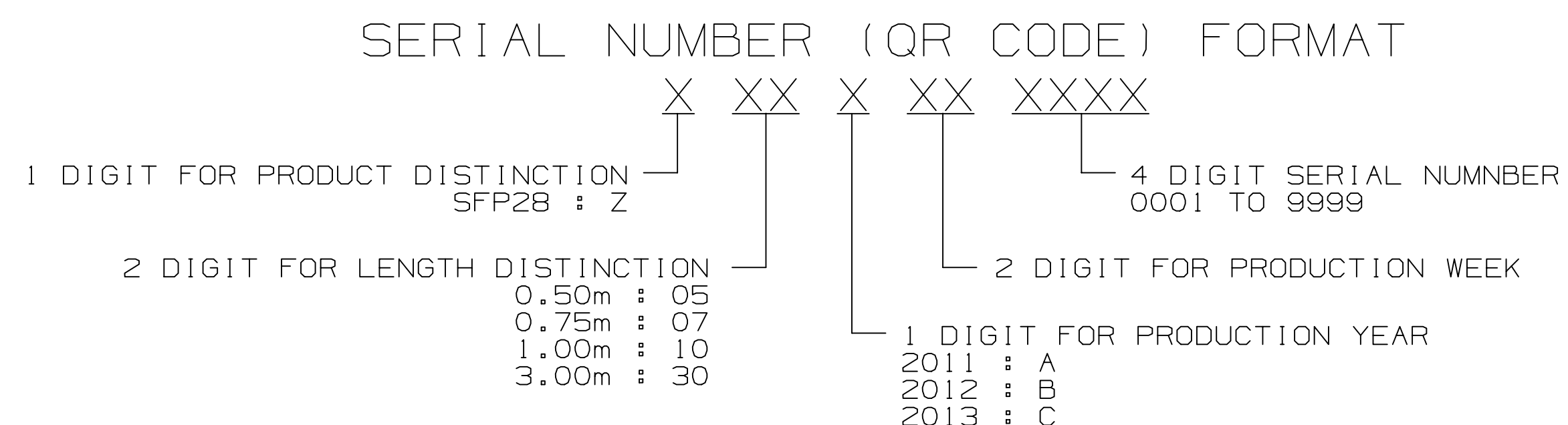
Technical Information: The technical information, recommendations and other statements contained in this document are based upon tests or experience that 3M believes are reliable, but the accuracy or completeness of such information is not guaranteed.

Product Use: Many factors beyond 3M's control and uniquely within user's control can affect the use and performance of a 3M product in a particular application. Given the variety of factors that can affect the use and performance of a 3M product, user is solely responsible for evaluating the 3M product and determining whether it is fit for a particular purpose and suitable for user's method of application.

Warranty, Limited Remedy, and Disclaimer: Unless an additional warranty is specifically stated on the applicable 3M product packaging or product literature, 3M warrants that each 3M product meets the applicable 3M product specification at the time 3M ships the product. 3M MAKES NO OTHER WARRANTIES OR CONDITIONS, EXPRESS OR IMPLIED, INCLUDING, BUT NOT LIMITED TO, ANY IMPLIED WARRANTY OR CONDITION OF MERCHANTABILITY OR FITNESS FOR A PARTICULAR PURPOSE OR ANY IMPLIED WARRANTY OR CONDITION ARISING OUT OF A COURSE OF DEALING, CUSTOM OR USAGE OR TRADE. If the 3M product does not conform to this warranty, then the sole and exclusive remedy is, at 3M's option, replacement of the 3M product or refund of the purchase price.

Limitation of Liability: Except where prohibited by law, 3M will not be liable for any loss or damage arising from the 3M product, whether direct, indirect, special, incidental or consequential, regardless of the legal theory asserted, including warranty, contract, negligence or strict liability.

3M Business Center
 Electronics Materials Solutions Division
 13011 McCallen Pass, Bldg. C
 Austin, TX 78753-5380
 1-800-225-5373
www.3M.com/interconnect



3M ELECTRONICS MATERIALS SOLUTIONS DIVISION
 INTERCONNECT SOLUTIONS
<http://www.3M.com/interconnect>

3M IS A TRADEMARK OF 3M COMPANY.
 FOR TECHNICAL, SALES OR ORDERING
 INFORMATION CALL 800-225-5373

| REV | ECO | ISSUE DATE AND DESCRIPTION | DRFT | CHKD |
|-----|-------|--|------|------|
| E | 86392 | SEP 24, 2019 REVISE NOTES | JNC | DLG |
| D | 84769 | JUL 17, 2019 REVISE NOTES AND REDRAW IN NX FORMAT | JNC | DD |
| C | 78965 | MAY 03, 2019 REVISE DRAWING | YL | YL |

| | | | | | | |
|---------------------------------|----------------------------|---|----------------|----------------------------|--------------|-------------------|
| DESIGN REFERENCE | NEXT ASSEMBLY | REV | ECO | ISSUE DATE AND DESCRIPTION | DRFT | CHKD |
| | | YUNLONG | | JUL 12, 2017 EDDIE | | JUL 12, 2017 |
| DIVISION | DIVISION CODE | CHKD | DATE | APPR | DATE | |
| EMSD | | YUNLONG | JUL 12, 2017 | SAJJIT BANDHU | JUL 12, 2017 | |
| DO NOT SCALE DRAWING | SCALE | © 3M COPYRIGHT 2019 This document and the information it contains are 3M property and may not be reproduced or further distributed without 3M permission, or used or disclosed other than for 3M authorized purposes. All rights reserved. | | | | |
| THIRD ANGLE PROJECTION | TOLERANCES EXCEPT AS NOTED | INCHES .0 ± .00 .00 ± .000 .0000 ± .0000 | | | | |
| INTERPRET PER ASME Y14.5 - 2009 | MILLIMETERS | 0 ± 1 .0 ± .30 .00 ± .15 .000 ± .05 | | | | |
| MAX SURFACE ROUGHNESS | ANGLES ± 1° | TITLE 3M 25G SFP28 DIRECT ATTACH CABLE ASS'Y 1422/1423 SERIES | | | | |
| MARKED ONLY | | CAGE NUMBER | SIZE | DRAWING NO. | REV. | |
| | | D | 78-5100-2664-0 | E | | |
| | | MODEL | SFP28 | DET | ISTS | YES NO SHT 2 OF 2 |